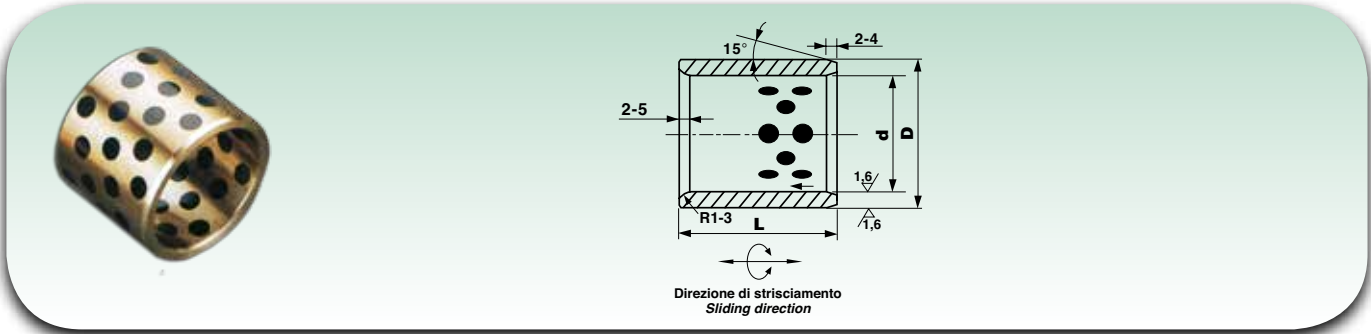


Dimensioni (mm) Dimensions (mm)				
$d_{(F7)}$	$D_{(m6)}$	L ^{-0,10 -0,30}		
8	12	8		
		10		
		12		
		15		
10	14	8		
		10		
		12		
		15		
		20		
		12	18	8
10				
12				
15				
16				
19				
20				
25				
30				
13	19			10
		12		
		15		
		16		
		20		
		14	20	10
12				
15				
20				
25				
30				
15	21			10
				12
		15		
		16		
		20		
		25		
		30		
		16	22	10
12				
15				
16				
19				
20				
25				
30				
35				
40				
17	23	15		
18	24	12		

Dimensioni (mm) Dimensions (mm)				
$d_{(F7)}$	$D_{(m6)}$	L ^{-0,10 -0,30}		
18	24	15		
		16		
		20		
		25		
		30		
19	26	15		
		20		
20	28	10		
		12		
		15		
		16		
		19		
		20		
		25		
		30		
		40		
		45		
20	30	16		
		20		
		25		
		30		
		35		
22	32	12		
		15		
		20		
		25		
		30		
25	30	16		
		20		
		25		
		30		
		35		
		40		
		25	33	12
				15
16				
20				
25				
30				
35				
40				
45				
50				
25	35	12		

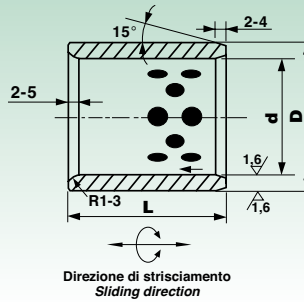
Dimensioni (mm) Dimensions (mm)		
$d_{(F7)}$	$D_{(m6)}$	L ^{-0,10 -0,30}
25	35	15
		16
		20
		25
		30
		35
28	38	40
		45
		50
		20
		25
30	35	30
		40
		45
		50
		16
		20
		25
		30
		35
		40
30	36	20
		25
		30
		35
		40
		45
30	38	50
		60
		12
		15
		20
		25
		30
		35
		40
		45
30	40	12
		15
		20
		25
		30
		35
		40
		45
		40
		45



Dimensioni (mm) Dimensions (mm)		
$d_{(F7)}$	$D_{(m6)}$	$L_{-0,10/-0,30}$
30	40	60
31,5	42	30
		40
32	42	20
		30
		40
35	44	20
		25
		30
		35
		40
		45
		50
		60
35	45	20
		25
		30
		35
		40
		45
		50
38	48	30
		40
40	50	15
		20
		25
		30
		35
		40
		45
		50
		60
		70
40	55	15
		25
		30
		35
		40
		45
		50
45	55	30
		35
		40
		45

Dimensioni (mm) Dimensions (mm)				
$d_{(F7)}$	$D_{(m6)}$	$L_{-0,10/-0,30}$		
45	55	60		
45	56	30		
		35		
		40		
		45		
		50		
		60		
		80		
45	60	30		
		35		
		40		
		45		
		50		
		60		
		70		
		80		
		50	60	20
				30
35				
40				
45				
50				
60				
70				
80				
50	62			30
		35		
		40		
		45		
		50		
		60		
		70		
		80		
		50	65	30
				40
45				
50				
60				
70				
100				
55	70	30		
		35		
		40		
		45		
		50		

Dimensioni (mm) Dimensions (mm)		
$d_{(F7)}$	$D_{(m6)}$	$L_{-0,10/-0,30}$
60	74	30
		35
		40
		45
		50
60	75	60
		70
		80
		30
		35
		40
63	75	45
		50
		60
		70
		80
63	76	60
		70
		80
		100
65	80	40
		50
		60
		70
		80
		100
70	85	30
		35
		40
		45
		50
		60
		70
70	90	80
		100
		50
		60
75	90	70
		80
		100
		50
		60
75	95	60

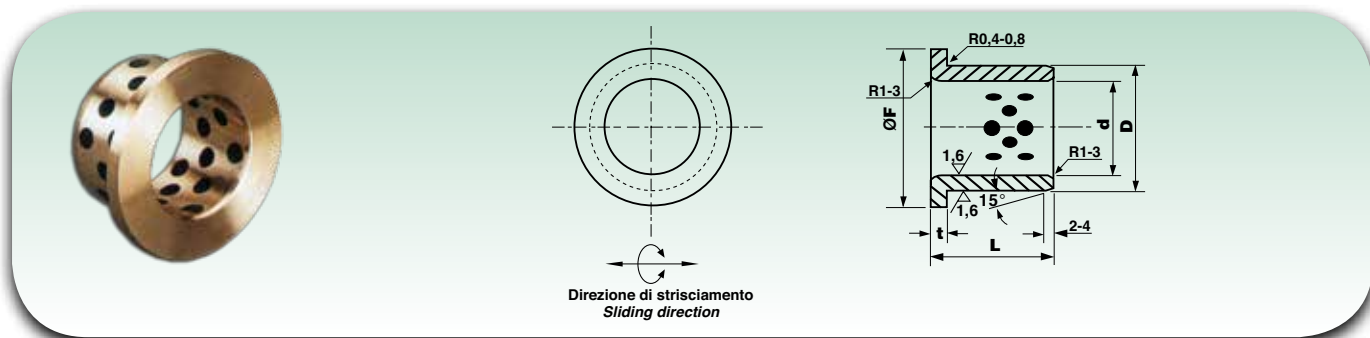


Dimensioni (mm) Dimensions (mm)		
$d_{(F7)}$	$D_{(m6)}$	L ^{-0,10} / _{-0,30}
75	95	70
		80
		100
80	96	35
		40
		45
		50
		60
		70
		80
		100
		120
		80
45		
50		
60		
70		
80		
100		
120		
140		
85	100	
		80
		-

Dimensioni (mm) Dimensions (mm)				
$d_{(F7)}$	$D_{(m6)}$	L ^{-0,10} / _{-0,30}		
90	100	40		
		45		
		50		
		60		
		70		
		80		
		100		
90	110	60		
		80		
		100		
		120		
100	120	50		
		60		
		70		
		80		
		90		
		100		
		120		
		140		
		110	130	50
				70
-				

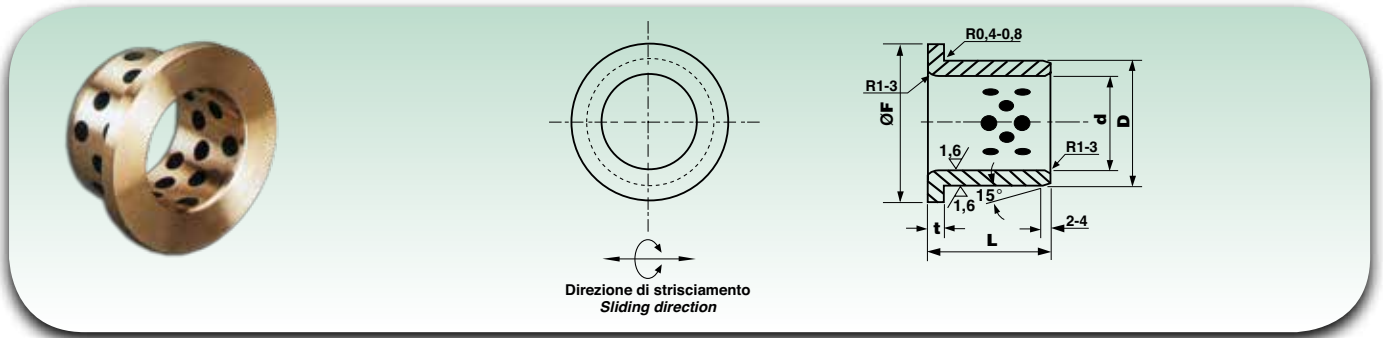
Dimensioni (mm) Dimensions (mm)		
$d_{(F7)}$	$D_{(m6)}$	L ^{-0,10} / _{-0,30}
110	130	80
		100
		120
120	140	70
		80
		90
		100
		120
		140
125	145	100
		120
130	150	80
		100
140	160	100
		140
150	170	80
		100
		150
160	180	80
		100
		150
-	-	-

Per ordinare specificare: BG.. tipo 1/2/3/4/5 + d + D + L
To order, please specify: BG..type 1/2/3/4/5 + d + D + L
Tolleranze di montaggio raccomandate:
Recommended mounting tolerances:
Sede:
H7
Albero:
d8 (carico pesante)
e7 (carico leggero)
f7 (alta precisione)
Housing:
H7
Shaft:
d8 (high load)
e7 (low load)
f7 (high precision)



Dimensioni (mm) Dimensions (mm)				
$d_{(E7)}$	$D_{(r6)}$	F	$t_{-0,1}^0$	$L_{-0,30}^{-0,10}$
8	12	20	2	10
				15
10	14	22	2	10
				12
				15
				17
				20
				25
12	18	25	3	10
				15
				20
				25
13	19	26	3	30
				10
				15
14	20	27	3	20
				25
				30
15	21	28	3	10
				15
				20
				25
				30
16	22	29	3	15
				18
				20
				23
				25
				30
				35
				40
18	24	32	3	20
				30
				15
20	28	40	5	20
				25
				30
				35
20	30	40	5	15
				20
				25
				30
				35
				40
25	33	45	5	15
				20
				25
				30
				35

Dimensioni (mm) Dimensions (mm)				
$d_{(E7)}$	$D_{(r6)}$	F	$t_{-0,1}^0$	$L_{-0,30}^{-0,10}$
25	33	45	5	10
				15
25	35	45	5	20
				25
				30
				35
				40
				50
				20
30	38	50	5	25
				30
				35
				40
				50
30	40	50	5	20
				25
				30
				35
				40
31,5	40	50	5	50
				20
				30
				35
35	45	60	5	40
				45
				50
				20
				25
				30
				35
				40
40	50	65	5	50
				25
				30
				40
				50
45	55	70	5	60
				30
				35
				40
				50
				60
50	60	75	5	30
				35
				40
				50
55	65	80	5	40
				50
				60



Dimensioni (mm) Dimensions (mm)				
$d_{(E7)}$	$D_{(r6)}$	F	$t \begin{smallmatrix} 0 \\ -0,1 \end{smallmatrix}$	$L \begin{smallmatrix} -0,10 \\ -0,30 \end{smallmatrix}$
55	70	80	5	40
				60
60	75	90	7,5	40
				50
				60
				80
63	75	85	7,5	67
65	80	95	7,5	40
				60
				80
70	85	105	7,5	50
				80
75	90	110	7,5	60
				80

Dimensioni (mm) Dimensions (mm)				
$d_{(E7)}$	$D_{(r6)}$	F	$t \begin{smallmatrix} 0 \\ -0,1 \end{smallmatrix}$	$L \begin{smallmatrix} -0,10 \\ -0,30 \end{smallmatrix}$
80	100	120	10	50
				60
				80
90	110	130	10	100
				50
				60
				80
100	120	150	10	100
				60
				80
120	140	170	10	60
				80
				100

Per ordinare specificare: BG-F.. tipo 1/2/3/4/5 + d + D + L

To order, please specify: BG-F..type 1/2/3/4/5 + d + D + L

Tolleranze di montaggio raccomandate:

Recommended mounting tolerances:

Sede:

H7

Albero:

d8 (carico pesante)

e7 (carico leggero)

f7 (alta precisione)

Housing:

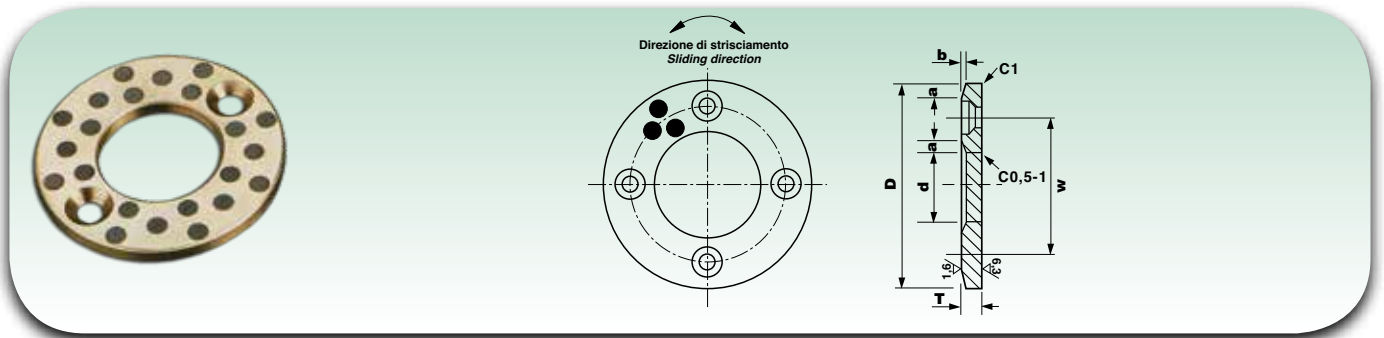
H7

Shaft:

d8 (high load)

e7 (low load)

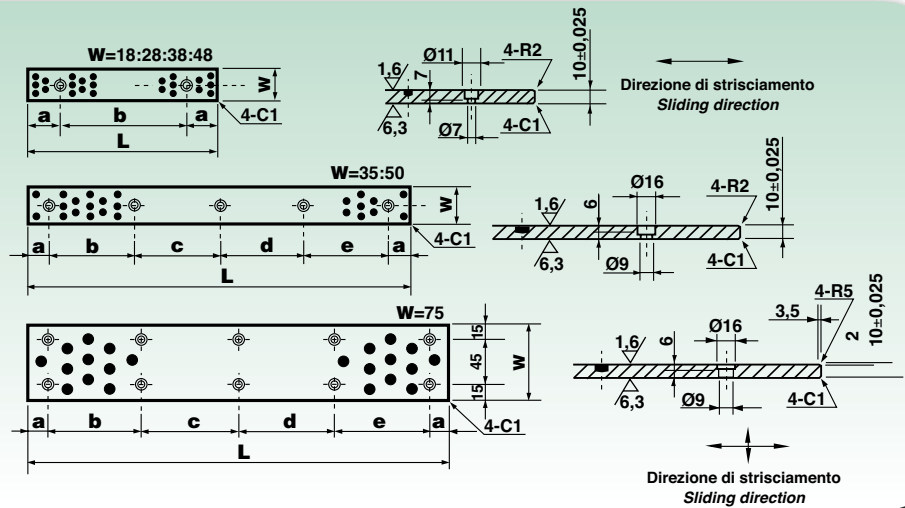
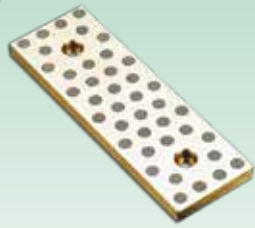
f7 (high precision)



Sigla Designation	Dimensioni (mm.) Dimensions (mm.)							
	d	D	T ⁰ _{-0,1}	W	Foro - Hole		a	b
					n°	Filetto - Thread		
BG1-W 10	10,2 ^{+0,2} _{+0,1}	30	3	20	2	M3	1,5	0,3
BG1-W 10 (SF)	10,2 ^{+0,2} _{+0,1}	30	3	20	senza foro - without hole		1,5	0,3
BG1-W 12	12,2 ^{+0,2} _{+0,1}	40	3	28	2	M3	2	0,4
BG1-W 12 (SF)	12,2 ^{+0,2} _{+0,1}	40	3	28	senza foro - without hole		2	0,4
BG1-W 13	13,2 ^{+0,2} _{+0,1}	40	3	28	2	M3	2	0,4
BG1-W 14	14,2 ^{+0,2} _{+0,1}	40	3	28	2	M3	2	0,4
BG1-W 15	15,2 ^{+0,2} _{+0,1}	50	3	35	2	M3	2	0,4
BG1-W 16	16,2 ^{+0,2} _{+0,1}	50	3	35	2	M3	2	0,4
BG1-W 16 (SF)	16,2 ^{+0,2} _{+0,1}	50	3	35	senza foro - without hole		2	0,4
BG1-W 18	18,2 ^{+0,2} _{+0,1}	50	3	35	2	M3	2	0,4
BG1-W 20	20,2 ^{+0,2} _{+0,1}	50	5	35	2	M5	2,5	0,4
BG1-W 20 (SF)	20,2 ^{+0,2} _{+0,1}	50	5	35	senza foro - without hole		2,5	0,4
BG1-W 25	25,2 ^{+0,2} _{+0,1}	55	5	40	2	M5	2,5	0,4
BG1-W 25 (SF)	25,2 ^{+0,2} _{+0,1}	55	5	40	senza foro - without hole		2,5	0,4
BG1-W 30	30,2 ^{+0,2} _{+0,1}	60	5	45	2	M5	2,5	0,4
BG1-W 35	35,2 ^{+0,2} _{+0,1}	70	5	50	2	M5	2,5	0,4
BG1-W 40	40,2 ^{+0,2} _{+0,1}	80	7	60	2	M6	3	0,5
BG1-W 45	45,3 ^{+0,2} _{+0,1}	90	7	70	2	M6	3	0,5
BG1-W 50	50,3 ^{+0,3} _{+0,1}	100	8	75	4	M6	4	0,6
BG1-W 55	55,3 ^{+0,3} _{+0,1}	110	8	85	4	M6	4	0,6
BG1-W 60	60,3 ^{+0,3} _{+0,1}	120	8	90	4	M8	5	0,8
BG1-W 65	65,3 ^{+0,3} _{+0,1}	125	8	95	4	M8	5	0,8
BG1-W 70	70,3 ^{+0,3} _{+0,1}	130	10	100	4	M8	5	0,8
BG1-W 75	75,3 ^{+0,3} _{+0,1}	140	10	110	4	M8	5	0,8
BG1-W 80	80,3 ^{+0,3} _{+0,1}	150	10	120	4	M8	5	0,8
BG1-W 90	90,5 ^{+0,3} _{+0,1}	170	10	140	4	M10	5	0,8
BG1-W 100	100,5 ^{+0,3} _{+0,1}	190	10	160	4	M10	5	0,8
BG1-W 120	120,5 ^{+0,3} _{+0,1}	200	10	175	4	M10	5	0,8

Per ordinare specificare: sigla + tipo 1/2/3/4/5

To order, please specify: designation + type 1/2/3/4/5



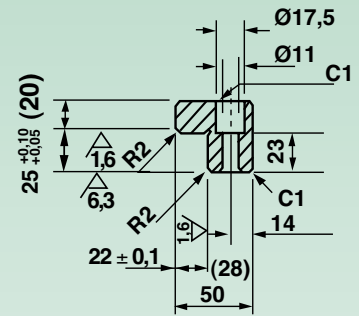
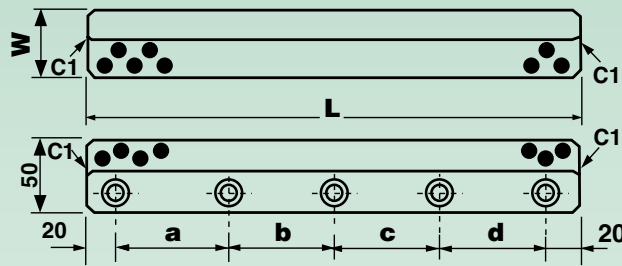
Sigla Designation	Dimensioni (mm) Dimensions (mm)								
	W -0,2	L	Distanza tra i fori - Distance between bolts					Foro - Bolt	
			a	b	c	d	e	n°	Filetto Thread
BG1-SP 18-75	18	75 ⁰ _{-0,2}	15	45	-	-	-	2	M6
BG1-SP 18-100		100 ⁰ _{-0,2}	25	50	-	-	-		
BG1-SP 18-125		125 ⁰ _{-0,2}		75	-	-	-		
BG1-SP 18-150		150 ⁰ _{-0,2}		100	-	-	-		
BG1-SP 18-160		160 ⁰ _{-0,2}		110	-	-	-		
BG1-SP 18-220		220 ⁰ _{-0,3}		50	120	-	-		
BG1-SP 28-75	28	75 ⁰ _{-0,2}	15	45	-	-	2	M6	
BG1-SP 28-100		100 ⁰ _{-0,2}	25	50	-	-			-
BG1-SP 28-125		125 ⁰ _{-0,2}		75	-	-			-
BG1-SP 28-150		150 ⁰ _{-0,2}		100	-	-			-
BG1-SP 28-160		160 ⁰ _{-0,2}		110	-	-			-
BG1-SP 28-220		220 ⁰ _{-0,3}		50	120	-			-
BG1-SP 35-100	35	100 ⁰ _{-0,2}	20	60	-	-	-	2	M8
BG1-SP 35-150		150 ⁰ _{-0,2}		55	55	-	-	3	
BG1-SP 35-200		200 ⁰ _{-0,3}		70	70	70	-	4	
BG1-SP 35-250		250 ⁰ _{-0,3}		65	65	65	65	5	
BG1-SP 35-300		300 ⁰ _{-0,3}		80	75	75	80		
BG1-SP 35-350		350 ⁰ _{-0,3}							
BG1-SP 38-75	38	75 ⁰ _{-0,2}	15	45	-	-	2	M6	
BG1-SP 38-100		100 ⁰ _{-0,2}	25	50	-	-			-
BG1-SP 38-125		125 ⁰ _{-0,2}		75	-	-			-
BG1-SP 38-150		150 ⁰ _{-0,2}		100	-	-			-
BG1-SP 38-160		160 ⁰ _{-0,2}		110	-	-			-
BG1-SP 38-220		220 ⁰ _{-0,3}		50	120	-			-
BG1-SP 48-75	48	75 ⁰ _{-0,2}	15	45	-	-	2	M6	
BG1-SP 48-100		100 ⁰ _{-0,2}	25	50	-	-			-
BG1-SP 48-125		125 ⁰ _{-0,2}		75	-	-			-
BG1-SP 48-150		150 ⁰ _{-0,2}		100	-	-			-
BG1-SP 50-100	50	100 ⁰ _{-0,2}	20	60	-	-	-	2	M8
BG1-SP 50-150		150 ⁰ _{-0,2}		55	55	-	-	3	
BG1-SP 50-200		200 ⁰ _{-0,3}		70	70	70	-	4	
BG1-SP 50-250		250 ⁰ _{-0,3}		65	65	65	65	5	
BG1-SP 50-300		300 ⁰ _{-0,3}		90	90	90	90		
BG1-SP 50-400		400 ⁰ _{-0,5}							
BG1-SP 75-150	75	150 ⁰ _{-0,2}	20	110	-	-	-	4	M8
BG1-SP 75-200		200 ⁰ _{-0,3}		80	80	-	-	6	
BG1-SP 75-250		250 ⁰ _{-0,3}		105	105	-	-		
BG1-SP 75-300		300 ⁰ _{-0,3}		85	90	85	-	8	
BG1-SP 75-400		400 ⁰ _{-0,5}		120	120	120	-		
BG1-SP 75-500		500 ⁰ _{-0,5}		115	115	115	115	10	

Per ordinare specificare: sigla + tipo 1/2/3/4/5

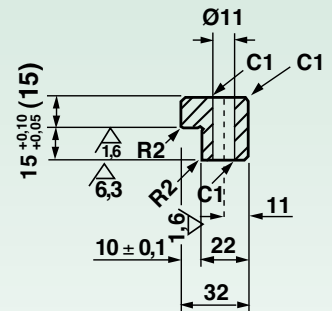
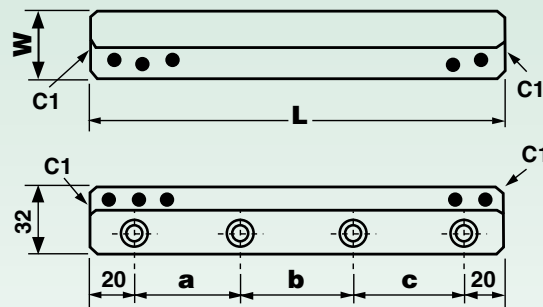
To order, please specify: designation + type 1/2/3/4/5



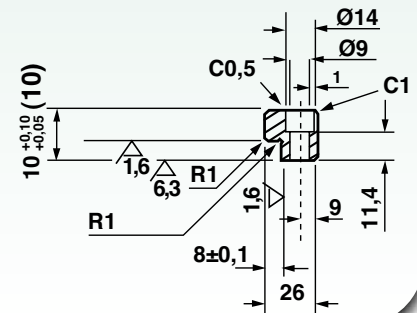
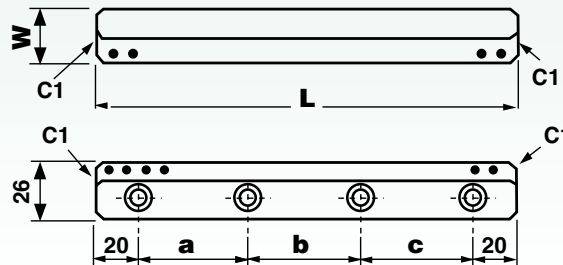
Tipo A Type



Tipo B Type



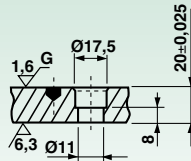
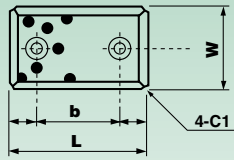
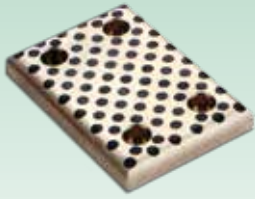
Tipo C Type



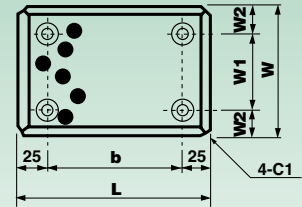
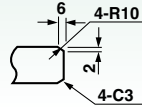
Sigla Designation	Tipo Type	Dimensioni (mm) Dimensions (mm)							
		W	L	Distanza tra i fori - Distance between bolts				Foro - Bolt	
				a	b	c	d	n°	Filetto Thread
BG1-SPL 20-100	C	20	100	60	-	-	-	2	M8
BG1-SPL 20-150			150	55	55	-	-	3	
BG1-SPL 20-200			200	55	50	55	-	4	
BG1-SPL 30-100	B	30	100	60	-	-	-	2	M10
BG1-SPL 30-150			150	55	55	-	-	3	
BG1-SPL 30-200			200	55	50	55	-	4	
BG1-SPL 30-250			250	70	70	70	-	4	
BG1-SPL 45-200	A	45	200	55	50	55	-	4	M10
BG1-SPL 45-250			250	70	70	70	-	4	
BG1-SPL 45-300			300	65	65	65	65	5	
BG1-SPL 45-350			350	80	75	75	80	5	

Per ordinare specificare: sigla + tipo 1/2/3/4/5

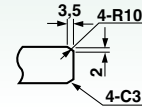
To order, please specify: designation + type 1/2/3/4/5



Tipo A Type



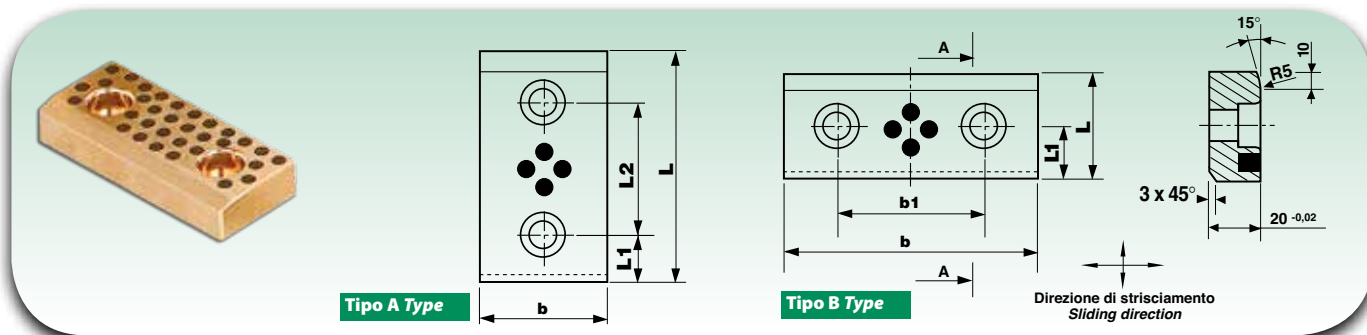
Tipo B Type



Sigla Designation	Dimensioni (mm) Dimensions (mm)						N. fori Holes n°	Tipo Type
	W ^{-0,1 -0,3}	L ^{-0,1 -0,3}	W1 ^{±0,2}	W2	b ^{±0,2}			
BG1-GP 28-75	28	75	-	-	45	2	A	
BG1-GP 28-100		100	-	-	50			
BG1-GP 28-125		125	-	-	75			
BG1-GP 28-150		150	-	-	100			
BG1-GP 28-200		200	-	-	150			
BG1-GP 38-75	38	75	-	-	45	2	A	
BG1-GP 38-100		100	-	-	50			
BG1-GP 38-125		125	-	-	75			
BG1-GP 38-150		150	-	-	100			
BG1-GP 38-200		200	-	-	150			
BG1-GP 48-75	48	75	-	-	45	2	A	
BG1-GP 48-100		100	-	-	50			
BG1-GP 48-125		125	-	-	75			
BG1-GP 48-150		150	-	-	100			
BG1-GP 48-200		200	-	-	150			
BG1-GP 58-75	58	75	-	-	45	2	A	
BG1-GP 58-100		100	-	-	50			
BG1-GP 58-150		150	-	-	100			
BG1-GP 75-75	75	75	-	-	25	2	A	
BG1-GP 75-100		100	-	-	50			
BG1-GP 75-125		125	-	-	75			
BG1-GP 75-150		150	-	-	100			
BG1-GP 75-200		200	-	-	150			
BG1-GP 100-100	100	100	50	25	50	4	B	
BG1-GP 100-125		125			75			
BG1-GP 100-150		150			100			
BG1-GP 100-200		200			150			
BG1-GP 100-250		250			200			
BG1-GP 125-125	125	125	50	37,50	75	4	B	
BG1-GP 125-150		150			100			
BG1-GP 125-200		200			150			
BG1-GP 125-250		250			200			
BG1-GP 150-150	150	150	100	25	100	4	B	
BG1-GP 150-200		200			150			
BG1-GP 150-250		250			200			
BG1-GP 150-300		300			250			
BG1-GP 200-200		200			150			25
BG1-GP 200-250	250	200						
BG1-GP 200-300	300	250						

Per ordinare specificare: sigla + tipo 1/2/3/4/5

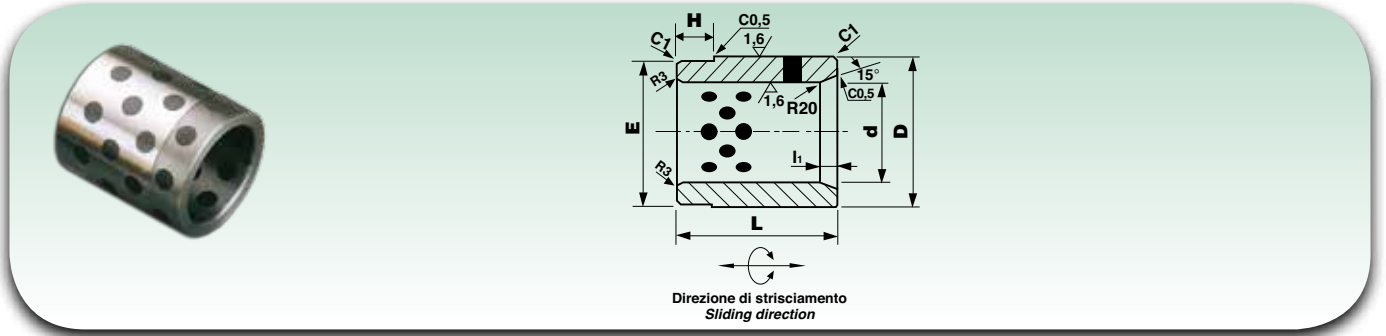
To order, please specify: designation + type 1/2/3/4/5



Sigla Designation	Dimensioni (mm) Dimensions (mm)					Tipo Type	
	b ^{-0,2}	L ^{-0,2}	b1 ^{±0,1}	L1 ^{±0,1}	L2 ^{±0,1}		
BG1-GPS 50-80	50	80	-	25	30	A	
BG1-GPS 50-100		100	-		50		
BG1-GPS 50-125		125	-		75		
BG1-GPS 50-160		160	-		110		
BG1-GPS 50-200		200	-		150		
BG1-GPS 80-50	80	50	30	25	-	B	
BG1-GPS 80-80		80	-		30	A	
BG1-GPS 80-100		100	-		50		
BG1-GPS 80-125		125	-		75		
BG1-GPS 80-160		160	-		110		
BG1-GPS 80-200		200	-		150		
BG1-GPS 80-250		250	-		170		
BG1-GPS 80-315	315	-	40	235	A		
BG1-GPS 100-50	100	50	50	25		-	B
BG1-GPS 100-80		80		40		-	
BG1-GPS 100-100		100		-		50	A
BG1-GPS 100-125		125		-		75	
BG1-GPS 100-160		160		-		110	
BG1-GPS 100-200		200		-		150	
BG1-GPS 100-250		250		-	170		
BG1-GPS 100-315	315	-	40	235			
BG1-GPS 125-50	125	50	75	25	-	B	
BG1-GPS 125-80		80		40	-		
BG1-GPS 160-50	160	50	100	25	-	B	
BG1-GPS 160-80		80		40	-		

Per ordinare specificare: sigla + tipo 1/2/3/4/5

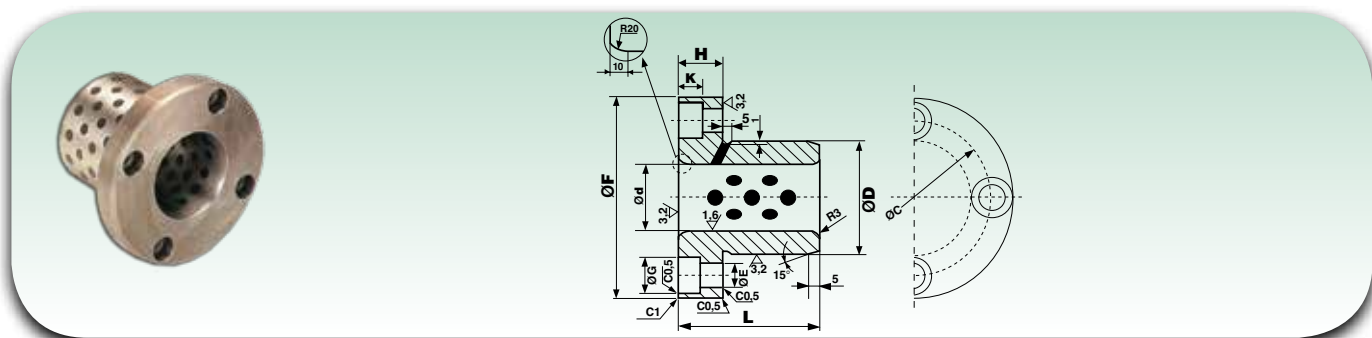
To order, please specify: designation + type 1/2/3/4/5



Sigla Designation	Dimensioni (mm) Dimensions (mm)					
	$d_{(H7)}$	$D_{(j6)}$	$L_{-0,20}^0$	$E_{-0,20}^0$	H	I ₁
BG4 30	30	50	50	49	10	5
BG4 40	40	60	60	59	10	5
BG4 50	50	70	75	69	15	5
BG4 60	60	80	90	79	20	10
BG4 80	80	100	120	99	25	10
BG4 100	100	120	150	119	25	10
BG4 120	120	140	180	139	25	10

Per ordinare specificare: sigla + tipo 1/2/3/4/5

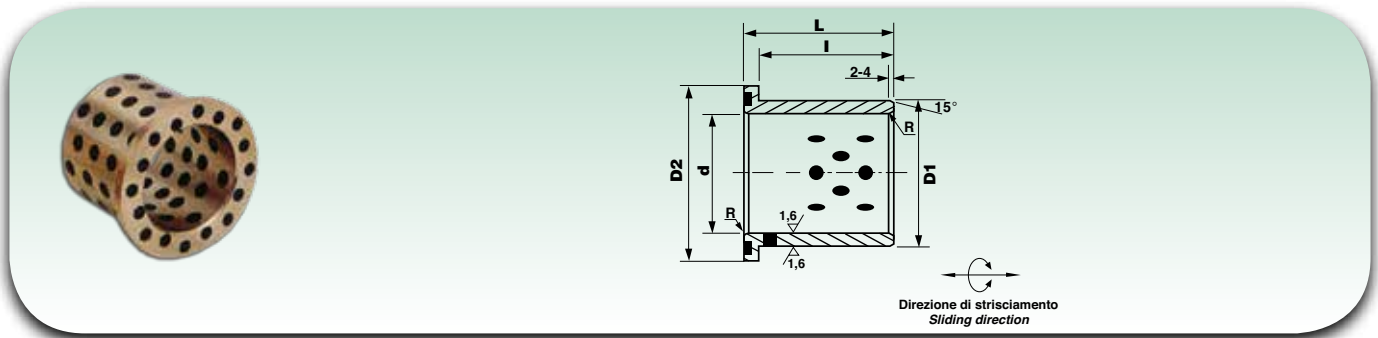
To order, please specify: designation + type 1/2/3/4/5



Sigla Designation	Dimensioni (mm) Dimensions (mm)								
	$d_{(H7)}$	$F^0_{-0,25}$	$D_{(j56)}$	H	$L^{-0,10}_{-0,30}$	C	E	G	K
BG4-F 30	30	90	50	20	50	70	11	17,5	10,8
BG4-F 40	40	100	60	20	65	80	11	17,5	10,8
BG4-F 50	50	125	75	20	80	100	11	17,5	10,8
BG4-F 60	60	135	85	20	100	110	11	17,5	10,8
BG4-F 80	80	170	110	25	130	140	14	20	13
BG4-F 100	100	190	130	25	160	160	14	20	13

Per ordinare specificare: sigla + tipo 1/2/3/4/5

To order, please specify: designation + type 1/2/3/4/5



Sigla Designation	Dimensioni (mm) Dimensions (mm)				
	$d_{(F7)}$	$D1_{(m6)}$	D2	l	L
BG4-AF 12	12	18	25	11	15
BG4-AF 16	16	22	30	15	20
BG4-AF 20	20	28	36	20	25
BG4-AF 25	25	33	43	25	30
BG4-AF 30	30	38	48	30	35
BG4-AF 40	40	50	60	40	45
BG4-AF 50	50	62	75	49	55
BG4-AF 60	60	75	90	58	65

Per ordinare specificare: sigla + tipo 1/2/3/4/5

To order, please specify: designation + type 1/2/3/4/5