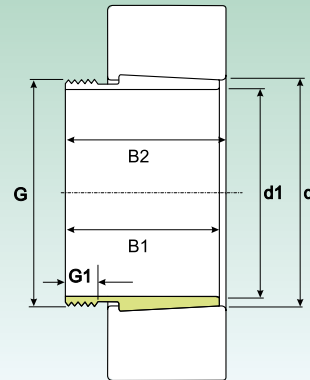
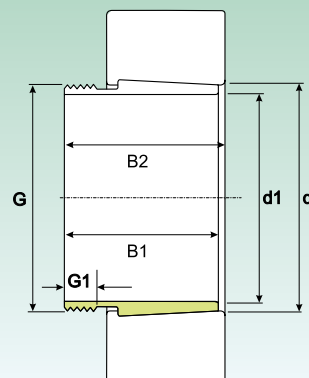


**BUSSOLE DI PRESSIONE  
WITHDRAWAL SLEEVES**


Dimensione Dimension								Peso (kg) Weight (Kg)	Sigla Designation		
d1 (mm)	d (mm)	B1 <sup>1)</sup> (mm)	B2 (mm)	G (mm)	G1 (mm)	G2 (mm)	A (mm)		Bussole di pressione Withdrawal sleeves	Ghiera per lo smontaggio Dismounting nut	Ghieraidraulica Hydraulic lock nut
35	40	29	32	M 45 x 1,5	6	-	-	0.09	AH 308	KM 9	-
	40	40	43	M 45 x 1,5	7	-	-	0.13	AH 2308	KM 9	-
40	45	31	34	M 50 x 1,5	6	-	-	0.12	AH 309	KM 10	HMV 10 E
	45	44	47	M 50 x 1,5	7	-	-	0.16	AH 2309	KM 10	HMV 10 E
45	50	35	38	M 55 x 2	7	-	-	0.13	AHX 310	KM 11	HMV 11 E
	50	50	53	M 55 x 2	9	-	-	0.19	AHX 2310	KM 11	HMV 11 E
50	55	37	40	M 60 x 2	7	-	-	0.16	AHX 311	KM 12	HMV 12 E
	55	54	57	M 60 x 2	10	-	-	0.26	AHX 2311	KM 12	HMV 12 E
55	60	40	43	M 65 x 2	8	-	-	0.19	AHX 312	KM 13	HMV 13 E
	60	58	61	M 65 x 2	11	-	-	0.3	AHX 2312	KM 13	HMV 13 E
60	65	42	45	M 75 x 2	8	-	-	0.35	AH 313	KM 15	HMV 15 E
	65	61	64	M 75 x 2	12	-	-	0.39	AH 2313	KM 15	HMV 15 E
65	70	43	47	M 80 x 2	8	-	-	0.24	AH 314	KM 16	HMV 16 E
	70	64	68	M 80 x 2	12	-	-	0.42	AHX 2314	KM 16	HMV 16 E
70	75	45	49	M 85 x 2	8	-	-	0.29	AH 315	KM 17	HMV 17 E
	75	68	72	M 85 x 2	12	-	-	0.48	AHX 2315	KM 17	HMV 17 E
75	80	48	52	M 90 x 2	8	-	-	0.37	AH 316	KM 18	HMV 18 E
	80	71	75	M 90 x 2	12	-	-	0.57	AHX 2316	KM 18	HMV 18 E
80	85	52	56	M 95 x 2	9	-	-	0.43	AHX 317	KM 19	HMV 19 E
	85	74	78	M 95 x 2	13	-	-	0.65	AHX 2317	KM 19	HMV 19 E
85	90	53	57	M 100 x 2	9	-	-	0.46	AHX 318	KM 20	HMV 20 E
	90	63	67	M 100 x 2	10	-	-	0.57	AHX 3218	KM 20	HMV 20 E
	90	79	83	M 100 x 2	14	-	-	0.76	AHX 2318	KM 20	HMV 20 E
90	95	57	61	M 105 x 2	10	-	-	0.54	AHX 319	KM 21	HMV 21 E
	95	85	89	M 105 x 2	16	-	-	0.9	AHX 2319	KM 21	HMV 21 E
95	100	59	63	M 110 x 2	10	-	-	0.58	AHX 320	KM 22	HMV 22 E
	100	64	68	M 110 x 2	11	-	-	0.66	AHX 3120	KM 22	HMV 22 E
	100	73	77	M 110 x 2	11	-	-	0.76	AHX 3220	KM 22	HMV 22 E
	100	90	94	M 110 x 2	16	-	-	1	AHX 2320	KM 22	HMV 22 E
105	110	63	67	M 120 x 2	12	-	-	0.77	AHX 322	KM 24	HMV 24 E
	110	68	72	M 120 x 2	11	-	-	0.76	AHX 3122	KM 24	HMV 24 E
	110	82	91	M 125 x 2	11	-	-	0.71	AH 24122	KM 23	HMV 23 E
	110	82	86	M 125 x 2	16	-	-	1	AHX 3222	KM 25	HMV 25 E
	110	98	102	M 125 x 2	13	-	-	1.3	AHX 2322	KM 25	HMV 25 E
115	120	60	64	M 130 x 2	13	-	-	0.73	AHX 3024	KM 26	HMV 26 E
	120	73	82	M 125 x 2	12	-	-	0.7	AH 24024	KM 25	HMV 25 E
	120	75	79	M 130 x 2	13	-	-	0.94	AHX 3124	KM 26	HMV 26 E
	120	90	94	M 135 x 2	17	-	-	1.7	AHX 3224	KM 27	HMV 27 E
	120	93	102	M 130 x 2	13	-	-	1	AH 24124	KM 26	HMV 26 E
	120	105	109	M 135 x 2	13	-	-	1.55	AHX 2324	KM 27	HMV 27 E

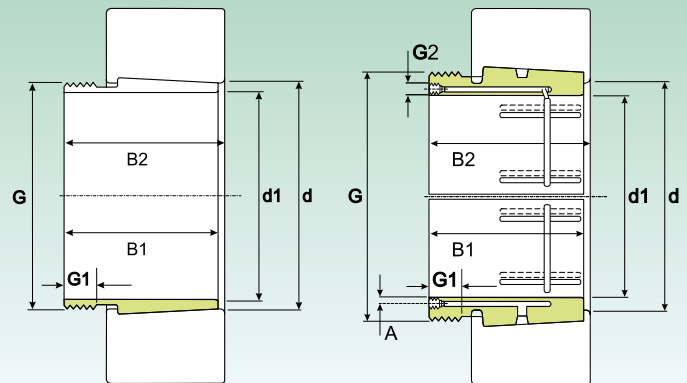
1) Larghezza bussola prima del pressaggio nel foro interno del cuscinetto.  
1) Width of taper adapter, before being pressed inside inner bore of bearing.

## BUSSOLE DI PRESSIONE WITHDRAWAL SLEEVES



Dimensione Dimension								Peso (kg) Weight (Kg)	Sigla Designation		
d1 (mm)	d (mm)	B1 <sup>1)</sup> (mm)	B2 (mm)	G (mm)	G1 (mm)	G2 (mm)	A (mm)		Bussole di pressione Withdrawal sleeves	Ghiera per lo smontaggio Dismounting nut	Ghieraidraulica Hydraulic lock nut
125	130	67	71	M 140 x 2	14	-	-	0.91	AHX 3026	KM 28	HMV 28 E
	130	78	82	M 140 x 2	12	-	-	1.1	AHX 3126	KM 28	HMV 28 E
	130	83	93	M 135 x 2	15	-	-	0.88	AH 24026	KM 27	HMV 27 E
	130	94	104	M 140 x 2	19	-	-	1.15	AH 24126	KM 28	HMV 28 E
	130	98	102	M 145 x 2	14	-	-	1.5	AHX 3226	KM 29	HMV 29 E
	130	115	119	M 145 x 2	14	-	-	1.85	AHX 2326	KM 29	HMV 29 E
135	140	68	73	M 150 x 2	14	-	-	1	AHX 3028	KM 30	HMV 30 E
	140	83	93	M 145 x 2	14	-	-	0.95	AH 24028	KM 29	HMV 29 E
	140	83	88	M 150 x 2	15	-	-	1.3	AHX 3128	KM 30	HMV 30 E
	140	99	109	M 150 x 2	20	-	-	1.3	AH 24128	KM 30	HMV 30 E
	140	104	109	M 155 x 3	14	-	-	1.75	AHX 3228	KM 31	HMV 31 E
	140	125	130	M 155 x 3	14	-	-	2.55	AHX 2328	KM 31	HMV 31 E
145	150	72	77	M 160 x 3	15	-	-	1.15	AHX 3030	KM 32	HMV 32 E
	150	90	101	M 155 x 3	15	-	-	1.5	AH 24030	KM 31	HMV 31 E
	150	96	101	M 165 x 3	17	-	-	1.7	AHX 3130	KM 33	HMV 33 E
	150	114	119	M 165 x 3	24	-	-	2.1	AHX 3230	KM 33	HMV 33 E
	150	115	126	M 160 x 3	15	-	-	1.55	AH 24130	KM 32	HMV 32 E
	150	135	140	M 165 x 3	15	-	-	2.75	AHX 2330	KM 33	HMV 33 E
150	160	77	82	M 170 x 3	16	-	-	2	AH 3032	KM 34	HMV 34 E
	160	95	106	M 170 x 3	16	-	-	2.3	AH 24032	KM 34	HMV 34 E
	160	103	108	M 180 x 3	20	-	-	3	AH 3132	KM 36	HMV 36 E
	160	124	135	M 170 x 3	24	-	-	3	AH 24132	KM 36	HMV 34 E
	160	124	130	M 180 x 3	15	-	-	3.7	AH 3232	KM 34	HMV 36 E
	160	140	146	M 180 x 3	15	-	-	4.35	AH 2332	KM 36	HMV 36 E
160	170	85	90	M 180 x 3	17	-	-	2.45	AH 3034	KM 36	HMV 36 E
	170	104	109	M 190 x 3	16	-	-	3.2	AH 3134	KM 38	HMV 38 E
	170	106	117	M 180 x 3	24	-	-	2.7	AH 24034	KM 36	HMV 36 E
	170	125	136	M 180 x 3	24	-	-	3.25	AH 24134	KM 36	HMV 36 E
	170	134	140	M 190 x 3	16	-	-	4.35	AH 3234	KM 38	HMV 38 E
	170	146	152	M 190 x 3	16	-	-	4.85	AH 2334	KM 38	HMV 38 E
170	180	92	98	M 190 x 3	17	-	-	2.8	AH 3036	KM 38	HMV 38 E
	180	105	110	M 200 x 3	17	-	-	3.4	AH 2236	KM 40	HMV 40 E
	180	116	127	M 190 x 3	19	-	-	3.3	AH 24036	KM 38	HMV 38 E
	180	116	122	M 200 x 3	24	-	-	3.9	AH 3136	KM 40	HMV 40 E
	180	134	145	M 190 x 3	26	-	-	3.75	AH 24136	KM 38	HMV 38 E
	180	140	146	M 200 x 3	16	-	-	4.85	AH 3236	KM 40	HMV 40 E
180	154	160	M 200 x 3	16	-	-	5.5	AH 2336	KM 40	HMV 40 E	
180	190	96	102	M 205 x 4	18	-	-	3.3	AH 3038	HM 42	HMV 41 E
	190	112	117	M 210 x 4	18	-	-	3.9	AH 2238	HM 42	HMV 42 E
	190	118	131	M 200 x 3	20	-	-	3.55	AH 24038	HM 40	HMV 41 E
	190	125	131	M 210 x 4	25	-	-	4.5	AH 3138	HM 42	HMV 42 E
	190	145	152	M 210 x 4	26	-	-	5.9	AH 3238	HM 42	HMV 42 E
	190	146	159	M 200 x 3	18	-	-	4.45	AH 24138	HM 40	HMV 40 E
	190	160	167	M 210 x 4	18	-	-	6.1	AH 2338	HM 42	HMV 42 E

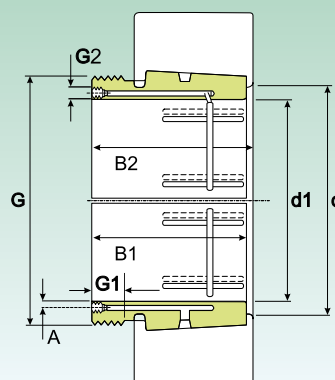
1) Larghezza bussola prima del pressaggio nel foro interno del cuscinetto.  
1) Width of taper adapter, before being pressed inside inner bore of bearing.

**BUSSOLE DI PRESSIONE  
WITHDRAWAL SLEEVES**


Dimensione Dimension								Peso (kg) Weight (Kg)	Sigla Designation		
d1 (mm)	d (mm)	B1 <sup>1)</sup> (mm)	B2 (mm)	G (mm)	G1 (mm)	G2 (mm)	A (mm)		Bussole di pressione Withdrawal sleeves	Ghiera per lo smontaggio Dismounting nut	Ghieraidraulica Hydraulic lock nut
190	200	102	108	Tr 215 x 4	19	-	-	3.7	AH 3040	HM 43	HMV 43 E
	200	118	123	Tr 220 x 4	21	-	-	4.7	AH 2240	HM 44	HMV 44 E
	200	127	140	Tr 210 x 4	25	-	-	4	AH 24040	HM 42	HMV 42 E
	200	134	140	Tr 210 x 4	30	-	-	5.65	AH 3140	HM 44	HMV 44 E
	200	153	160	Tr 210 x 4	18	-	-	6.6	AH 3240	HM 44	HMV 44 E
	200	158	171	Tr 210 x 4	18	-	-	5.05	AH 24140	HM 42	HMV 42 E
	200	170	177	Tr 220 x 4	30	-	-	7.6	AH 2340	HM 44	HMV 44 E
200	220	111	117	Tr 235 x 4	20	-	-	7.47	AH 3044	HM 47	HMV 47 E
	220	111	117	Tr 235 x 4	20	G 1/8	7.5	7.3	AOH 3044	HM 47	HMV 47 E
	220	130	136	Tr 240 x 4	23	G 1/4	9	9.4	AOH 2244	HM 48	HMV 48 E
	220	138	152	Tr 230 x 4	30	G 1/8	6.5	8.2	AOH 24044	HM 46	HMV 46 E
	220	145	151	Tr 240 x 4	20	G 1/4	9	9.3	AOH 3144	HM 48	HMV 48 E
	220	170	184	Tr 230 x 4	20	G 1/8	6.5	10	AOH 24144	HM 46	HMV 46 E
	220	181	189	Tr 240 x 4	30	G 1/4	9	13.5	AOH 2344	HM 48	HMV 48 E
220	240	116	123	Tr 260 x 4	21	G 1/4	9	7.95	AOH 3048	HM 52	HMV 52 E
	240	138	153	Tr 250 x 4	20	G 1/8	6.5	8.05	AOH 24048	HM 50	HMV 50 E
	240	144	150	Tr 260 x 4	30	G 1/4	9	11.5	AOH 2248	HM 52	HMV 52 E
	240	154	161	Tr 260 x 4	25	G 1/4	9	12	AOH 3148	HM 52	HMV 52 E
	240	180	195	Tr 260 x 4	20	G 1/4	9	11.5	AOH 24148	HM 52	HMV 52 E
	240	189	197	Tr 260 x 4	30	G 1/4	9	14	AOH 2348	HM 52	HMV 52 E
240	260	128	135	Tr 280 x 4	23	G 1/4	9	9.6	AOH 3052	HM 56	HMV 56 E
	260	155	161	Tr 290 x 4	23	G 1/4	9.5	12.5	AOH 2252	HM 58	HMV 58 E
	260	162	178	Tr 270 x 4	22	G 1/8	6.5	10.5	AOH 24052	HM 54	HMV 54 E
	260	172	179	Tr 290 x 4	26	G 1/4	9.5	16	AOH 3152	HM 56	HMV 56 E
	260	202	218	Tr 280 x 4	22	G 1/4	9	14	AOH 24152	HM 56	HMV 56 E
	260	205	213	Tr 290 x 4	30	G 1/4	10.5	17.5	AOH 2352	HM 58	HMV 58 E
260	280	131	139	Tr 300 x 4	24	G 1/4	9	11	AOH 3056	HM 60	HMV 60 E
	280	155	163	Tr 310 x 5	21	G 1/4	9.5	15	AOH 2256	HM 62	HMV 62 E
	280	162	179	Tr 290 x 4	22	G 1/8	6.5	11.5	AOH 24056	HM 58	HMV 58 E
	280	175	183	Tr 310 x 5	28	G 1/4	9.5	15.5	AOH 3156	HM 62	HMV 62 E
	280	202	219	Tr 300 x 4	22	G 1/8	9	15	AOH 24156	HM 60	HMV 60 E
	280	212	220	Tr 310 x 5	30	G 1/4	11	19.5	AOH 2356	HM 62	HMV 62 E
	280	300	145	153	Tr 320 x 5	26	G 1/4	9	13	AOH 3060	HM 3064
300		170	178	Tr 330 x 5	26	G 1/4	10	18	AOH 2260	HM 66	HMV 62 E
300		184	202	Tr 310 x 5	24	G 1/8	6.5	14	AOH 24060	HM 62	HMV 58 E
300		192	200	Tr 330 x 5	30	G 1/4	10.5	19	AOH 3160	HM 66	HMV 62 E
300		224	242	Tr 320 x 5	24	G 1/4	9	18.5	AOH 24160	HM 3164	HMV 64 E
300		228	236	Tr 330 x 5	34	G 1/4	9	23.5	AOH 3260	HM 66	HMV 66 E
300	320	149	157	Tr 345 x 5	27	G 1/4	9.5	17.5	AOH 3064	HM 69	HMV 69 E
	320	180	190	Tr 350 x 5	27	G 1/4	10	20	AOH 2264	HM 70	HMV 70 E
	320	184	202	Tr 330 x 5	24	G 1/8	6.5	15	AOH 24064	HM 66	HMV 66 E
	320	209	217	Tr 350 x 5	31	G 1/4	10.5	22.5	AOH 3164	HM 70	HMV 70 E
	320	242	260	Tr 340 x 5	24	G 1/4	9.5	20.5	AOH 24164	HM 3168	HMV 68 E
	320	246	254	Tr 350 x 5	24	G 1/4	12	27.5	AOH 3264	HM 70	HMV 70 E

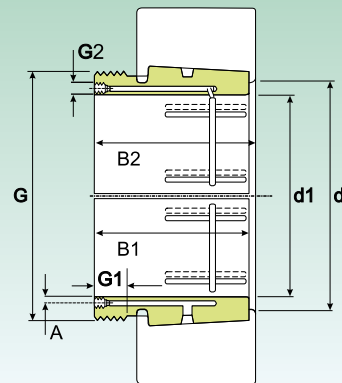
1) Larghezza bussola prima del pressaggio nel foro interno del cuscinetto.  
1) Width of taper adapter, before being pressed inside inner bore of bearing.

## BUSSOLE DI PRESSIONE WITHDRAWAL SLEEVES



Dimensione Dimension								Peso (kg) Weight (Kg)	Sigla Designation		
d1 (mm)	d (mm)	B1 <sup>1)</sup> (mm)	B2 (mm)	G (mm)	G1 (mm)	G2 (mm)	A (mm)		Bussole di pressione Withdrawal sleeves	Ghiera per lo smontaggio Dismounting nut	Ghieraidraulica Hydraulic lock nut
320	340	162	171	Tr 365 x 5	28	G 1/4	9.5	17.5	AOH 3068	HM 73	HMV 73 E
	340	206	225	Tr 350 x 5	26	G 1/4	9	18	AOH 24068	HM 3072	HMV 72 E
	340	225	234	Tr 370 x 5	26.5	G 1/4	9	28.5	AOH 3168	HM 74	HMV 74 E
	340	264	273	Tr 370 x 5	38	G 1/4	9	32	AOH 3268	HM 74	HMV 74 E
	340	269	288	Tr 360 x 5	26	G 1/4	9	25.5	AOH 24168	HM 3172	HMV 72 E
340	360	167	176	Tr 385 x 5	30	G 1/4	9.5	19	AOH 3072	HM 77	HMV 77 E
	360	206	226	Tr 380 x 5	26	G 1/4	9	20	AOH 24072	HM 3076	HMV 80 E
	360	229	238	Tr 400 x 5	35	G 1/4	11	30	AOH 3172	HM 3180	HMV 76 E
	360	269	289	Tr 380 x 5	26	G 1/4	9	26	AOH 24172	HM 3176	HMV 76 E
	360	274	283	Tr 400 x 5	40	G 1/4	13	33	AOH 3272	HM 3180	HMV 80 E
360	380	170	180	Tr 410 x 5	31	G 1/4	9.5	23.5	AOH 3076	HM 82	HMV 82 E
	380	208	228	Tr 400 x 5	28	G 1/4	9	23.5	AOH 24076	HM 3080	HMV 80 E
	380	232	242	Tr 420 x 5	36	G 1/4	11	38	AOH 3176	HM 3180	HMV 80 E
	380	271	291	Tr 400 x 5	28	G 1/4	9	31	AOH 24176	HM 3180	HMV 80 E
	380	284	294	Tr 420 x 5	42	G 1/4	13	45.5	AOH 3276	HM 3184	HMV 84 E
380	400	183	193	Tr 430 x 5	33	G 1/4	10	27	AOH 3080	HM 86	HMV 86 E
	400	228	248	Tr 420 x 5	28	G 1/4	9	27	AOH 24080	HM 3084	HMV 84 E
	400	240	250	Tr 440 x 5	38	G 1/4	11.5	39.5	AOH 3180	HM 3198	HMV 86 E
	400	278	298	Tr 420 x 5	28	G 1/4	9	35	AOH 24180	HM 3188	HMV 88 E
	400	302	312	Tr 440 x 5	44	G 1/4	14	51.4	AOH 3280	HM 3184	HMV 84 E
400	420	186	196	Tr 450 x 5	34	G 1/4	10	29	AOH 3084	HM 90	HMV 90 E
	420	230	252	Tr 440 x 5	30	G 1/4	9	29	AOH 24084	HM 3088	HMV 88 E
	420	266	276	Tr 460 x 5	40	G 1/4	12.5	46	AOH 3184	HM 3192	HMV 92 E
	420	310	332	Tr 440 x 5	30	G 1/4	9	39	AOH 24184	HM 3188	HMV 88 E
	420	321	331	Tr 460 x 5	46	G 1/4	14	59	AOH 3284	HM 3192	HMV 92 E
420	440	194	205	Tr 470 x 5	35	G 1/4	10.5	31.5	AOHX 3088	HM 94	HMV 94 E
	440	242	264	Tr 460 x 5	30	G 1/4	9	32	AOH 24088	HM 92	HMV 92 E
	440	270	281	Tr 480 x 5	42	G 1/4	12.5	50	AOHX 3188	HM 3196	HMV 96 E
	440	310	332	Tr 460 x 5	30	G 1/4	9	45.5	AOH 24188	HM 3192	HMV 92 E
	440	330	341	Tr 480 x 5	48	G 1/4	14.5	64.5	AOHX 3288	HM 3196	HMV 96 E
440	460	202	213	Tr 490 x 5	37	G 1/4	11	35	AOHX 3092	HM 98	HMV 98 E
	460	250	273	Tr 480 x 5	32	G 1/4	9	34.7	AOH 24092	HM 96	HMV 96 E
	460	285	296	Tr 510 x 6	43	G 1/4	13	58	AOHX 3192	HM 102	HMV 102 E
	460	332	355	Tr 480 x 5	32	G 1/4	9	50	AOH 24192	HM 3196	HMV 96 E
	460	349	360	Tr 510 x 6	50	G 1/4	15	75.3	AOHX 3292	HM 102	HMV 102 E
460	480	205	217	Tr 520 x 6	38	G 1/4	11	39.6	AOHX 3096	HM 104	HMV 104 E
	480	250	273	Tr 500 x 5	32	G 1/4	9	36.5	AOH 24096	HM 100	HMV 100 E
	480	295	307	Tr 530 x 6	45	G 1/4	13.5	63	AOHX 3196	HM 31/530	HMV 105 E
	480	340	363	Tr 500 x 5	32	G 1/4	9	51.5	AOH 24196	HM 31/500	HMV 100 E
	480	364	376	Tr 530 x 6	52	G 1/4	15.5	82.5	AOHX 3296	HM 31/530	HMV 106 E
480	500	209	221	Tr 540 x 6	40	G 1/4	11	42.4	AOHX 30/500	HM 108	HMV 108 E
	500	253	276	Tr 530 x 6	35	G 1/4	9	41.7	AOH 240/500	HM 106	HMV 106 E
	500	313	325	Tr 550 x 6	47	G 1/4	14	70.7	AOHX 31/500	HM 110	HMV 110 E
	500	360	383	Tr 530 x 6	35	G 1/4	9	57	AOH 241/500	HM 31/530	HMV 106 E
	500	393	405	Tr 550 x 6	54	G 1/4	9	89.5	AOHX 32/500	HM 110	HMV 110 E

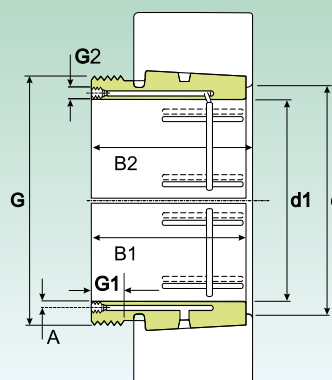
1) Larghezza bussola prima del pressaggio nel foro interno del cuscinetto.  
1) Width of taper adapter, before being pressed inside inner bore of bearing.

**BUSSOLE DI PRESSIONE  
WITHDRAWAL SLEEVES**


Dimensione Dimension								Peso (kg) Weight (Kg)	Sigla Designation		
d1 (mm)	d (mm)	B1 <sup>1)</sup> (mm)	B2 (mm)	G (mm)	G1 (mm)	G2 (mm)	A (mm)		Bussole di pressione Withdrawal sleeves	Ghiera per lo smontaggio Dismounting nut	Ghiera idraulica Hydraulic lock nut
500	530	230	242	Tr 560 x 6	45	G 1/4	9	64.5	AOH 30/530	HM 30/560	HMV 112 E
	530	285	309	Tr 550 x 6	35	G 1/4	10	64.5	AOH 240/530	HM 110	HMV 110 E
	530	325	337	Tr 560 x 6	53	G 1/4	10	94.5	AOH 31/530	HM 31/560	HMV 112 E
	530	370	394	Tr 560 x 6	35	G 1/4	9	86	AOH 241/530	HM 110	HMV 110 E
	530	412	424	Tr 560 x 6	35	G 1/4	9	127	AOH 32/530	HM 31/560	HMV 112 E
530	560	240	252	Tr 600 x 6	45	G 1/4	11	73.5	AOHX 30/560	HM 30/600	HMV 120 E
	560	296	320	Tr 600 x 6	55	G 1/4	11	70	AOH 240/560 G	HM 31/600	HMV 120 E
	560	335	347	Tr 600 x 6	57	G 1/4	11	107	AOH 31/560	HM 31/600	HMV 120 E
	560	393	417	Tr 600 x 6	38	G 1/4	9	107	AOH 241/560 G	HM 31/600	HMV 120 E
	560	422	434	Tr 600 x 6	38	G 1/4	9	143	AOHX 32/560	HM 31/600	HMV 120 E
560	600	245	259	Tr 630 x 6	45	G 1/4	11	77	AOH 30/600	HM 30/630	HMV 126 E
	600	310	336	Tr 630 x 6	55	G 1/4	11	86.5	AOH 240/600	HM 31/630	HMV 126 E
	600	355	369	Tr 630 x 6	57	G 1/4	9	120	AOH 31/600	HM 31/630	HMV 126 E
	600	445	459	Tr 630 x 6	38	G 1/4	9	159	AOH 32/600 G	HM 31/630	HMV 126 E
570	600	413	439	Tr 630 x 6	38	G 1/4	11	120	AOHX 241/600	HM 31/630	HMV 126 E
	630	258	272	Tr 670 x 6	46	G 1/4	11	88.5	AOH 30/630	HM 30/670	HMV 134 E
	630	330	356	Tr 670 x 6	60	G 1/4	11	101	AOH 240/630 G	HM 31/670	HMV 134 E
	630	375	389	Tr 670 x 6	63	G 1/4	9	139	AOH 31/630	HM 31/670	HMV 134 E
	630	440	466	Tr 670 x 6	40	G 1/4	9	139	AOH 241/630 G	HM 31/670	HMV 134 E
	630	475	489	Tr 670 x 6	40	G 1/4	9	188	AOH 32/630 G	HM 31/670	HMV 134 E
630	670	280	294	Tr 710 x 7	50	G 1/4	12	125	AOH 30/670	HM 30/710	HMV 142 E
	670	348	374	Tr 710 x 7	59	G 1/4	12	140	AOH 240/670 G	HM 31/710	HMV 142 E
	670	395	409	Tr 710 x 7	62	G 1/4	12	189	AOHX 31/670	HM 31/710	HMV 142 E
	670	452	478	Tr 710 x 7	40	G 1/4	12	180	AOH 241/670	HM 31/710	HMV 142 E
	670	500	514	Tr 710 x 7	40	G 1/4	12	252	AOH 32/670 G	HM 31/710	HMV 142 E
670	710	286	302	Tr 750 x 7	50	G 1/4	15	138	AOHX 30/710	HM 30/750	HMV 150 E
	710	360	386	Tr 750 x 7	60	G 1/4	15	155	AOH 240/710 G	HM 31/750	HMV 150 E
	710	405	421	Tr 750 x 7	65	G 1/4	15	207	AOHX 31/710	HM 31/750	HMV 150 E
	710	483	509	Tr 750 x 7	45	G 1/4	12	205	AOH 241/710	HM 31/750	HMV 150 E
	710	515	531	Tr 750 x 7	45	G 1/4	12	278	AOH 32/710 G	HM 31/750	HMV 150 E
710	750	300	316	Tr 800 x 7	50	G 1/4	15	145	AOH 30/750	HM 30/800	HMV 160 E
	750	380	408	Tr 800 x 7	60	G 1/4	15	178	AOH 240/750 G	HM 31/800	HMV 160 E
	750	425	441	Tr 800 x 7	65	G 1/4	15	238	AOH 31/750	HM 31/800	HMV 160 E
	750	520	548	Tr 800 x 7	45	G 1/4	12	240	AOH 241/750 G	HM 31/800	HMV 160 E
	750	540	556	Tr 800 x 7	45	G 1/4	12	320	AOH 32/750	HM 31/800	HMV 160 E
750	800	308	326	Tr 850 x 7	50	G 1/4	15	204	AOH 30/800	HM 30/850	HMV 170 E
	800	395	423	Tr 850 x 7	63	G 1/4	15	237	AOH 240/800 G	HM 31/850	HMV 170 E
	800	438	456	Tr 850 x 7	67	G 1/4	15	305	AOH 31/800	HM 31/850	HMV 170 E
	800	525	553	Tr 850 x 7	50	G 1/4	15	310	AOH 241/800 G	HM 31/850	HMV 170 E
	800	550	568	Tr 850 x 7	50	G 1/4	15	401	AOH 32/800 G	HM 31/850	HMV 170 E
800	850	325	343	Tr 900 x 7	53	G 1/4	15	230	AOH 30/850	HM 30/900	HMV 180 E
	850	415	445	Tr 900 x 7	62	G 1/4	15	265	AOH 240/850 G	HM 31/900	HMV 180 E
	850	462	480	Tr 900 x 7	70	G 1/4	15	345	AOH 31/850	HM 31/900	HMV 180 E
	850	560	600	Tr 900 x 7	55	G 1/4	15	368	AOH 241/850	HM 31/900	HMV 180 E
	850	585	603	Tr 900 x 7	60	G 1/4	15	461	AOH 32/850	HM 31/900	HMV 180 E

1) Larghezza bussola prima del pressaggio nel foro interno del cuscinetto.  
1) Width of taper adapter, before being pressed inside inner bore of bearing.

## BUSSOLE DI PRESSIONE WITHDRAWAL SLEEVES



Dimensione Dimension								Peso (kg) Weight (Kg)	Sigla Designation		
d1 (mm)	d (mm)	B1 <sup>1)</sup> (mm)	B2 (mm)	G (mm)	G1 (mm)	G2 (mm)	A (mm)		Bussole di pressione Withdrawal sleeves	Ghiera per lo smontaggio Dismounting nut	Ghieraidraulica Hydraulic lock nut
<b>850</b>	900	335	355	Tr 950 x 8	55	G 1/4	15	250	AOH 30/900	HM 30/950	HMV 190 E
	900	430	475	Tr 950 x 8	63	G 1/4	15	296	AOH 240/900	HM 31/950	HMV 190 E
	900	475	495	Tr 950 x 8	70	G 1/4	15	379	AOH 31/900	HM 31/950	HMV 190 E
	900	575	620	Tr 950 x 8	55	G 1/4	15	402	AOH 241/900	HM 31/950	HMV 190 E
	900	585	605	Tr 950 x 8	60	G 1/4	15	489	AOH 32/900	HM 31/950	HMV 190 E
<b>900</b>	950	355	375	Tr 1000 x 8	55	G 1/4	15	285	AOH 30/950	HM 30/1000	HMV 200 E
	950	467	512	Tr 1000 x 8	62	G 1/4	15	340	AOH 240/950	HM 31/1000	HMV 200 E
	950	500	520	Tr 1000 x 8	70	G 1/4	15	426	AOH 31/950	HM 31/1000	HMV 200 E
	950	600	620	Tr 1000 x 8	55	G 1/4	15	533	AOH 32/950	HM 31/1000	HMV 200 E
	950	605	650	Tr 1000 x 8	60	G 1/4	15	449	AOH 241/950	HM 31/1000	HMV 200 E
<b>950</b>	1000	365	387	Tr 1060 x 8	57	G 1/4	15	318	AOH 30/1000	HM 30/1060	HMV 212 E
	1000	469	519	Tr 1060 x 8	63	G 1/4	15	369	AOH 240/1000	HM 31/1060	HMV 212 E
	1000	525	547	Tr 1060 x 8	70	G 1/4	15	485	AOH 31/1000	HM 31/1060	HMV 212 E
	1000	630	652	Tr 1060 x 8	57	G 1/4	15	608	AOH 32/1000	HM 31/1060	HMV 212 E
	1000	645	695	Tr 1060 x 8	65	G 1/4	15	519	AOH 241/1000	HM 31/1060	HMV 212 E
<b>1000</b>	1060	385	407	Tr 1120 x 8	60	G 1/4	15	406	AOH 30/1060	HM 30/1120	HMV 224 E
	1060	498	548	Tr 1120 x 8	65	G 1/4	15	479	AOH 240/1060	HM 31/1120	HMV 224 E
	1060	540	562	Tr 1120 x 8	60	G 1/4	15	599	AOH 31/1060	HM 31/1120	HMV 224 E
	1060	665	715	Tr 1120 x 8	65	G 1/4	15	652	AOH 241/1060	HM 31/1120	HMV 224 E

1) Larghezza bussola prima del pressaggio nel foro interno del cuscinetto.  
1) Width of taper adapter, before being pressed inside inner bore of bearing.