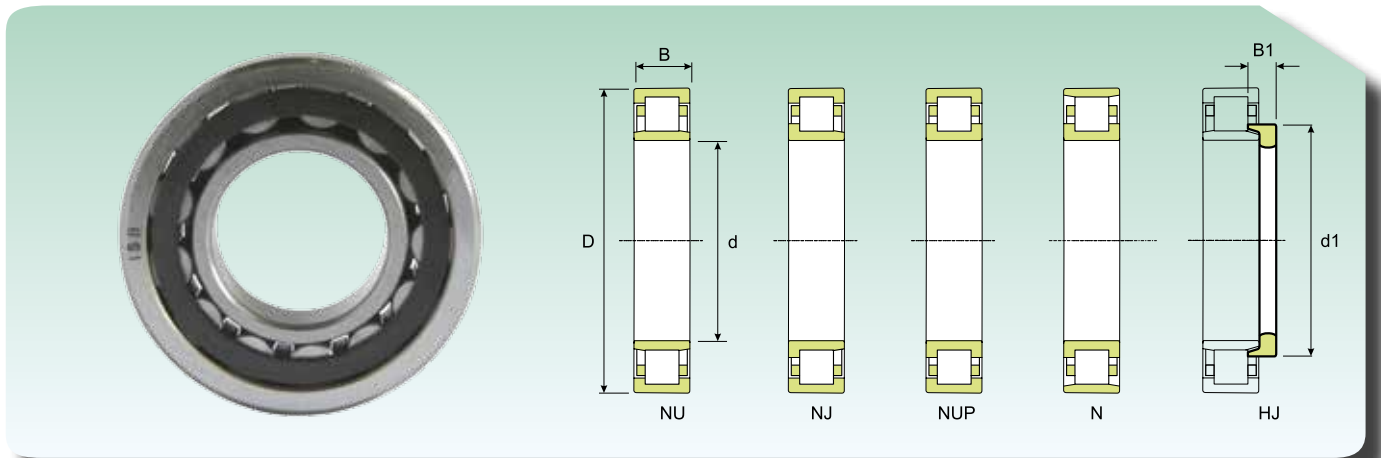
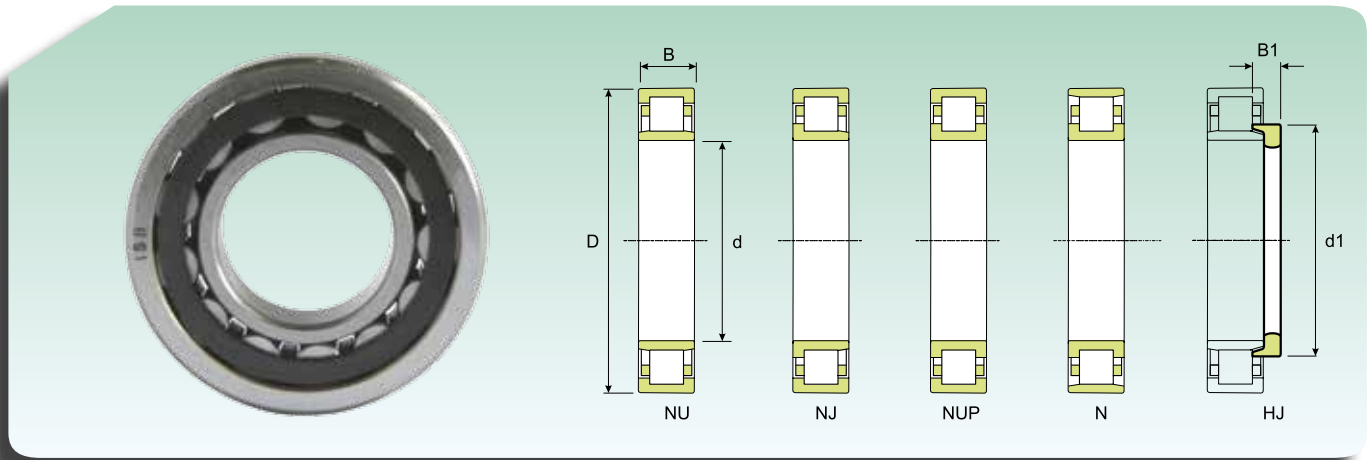


**CUSCINETTI A SINGOLA CORONA DI RULLI CILINDRICI**  
**CYLINDRICAL ROLLER BEARINGS, SINGLE ROW**

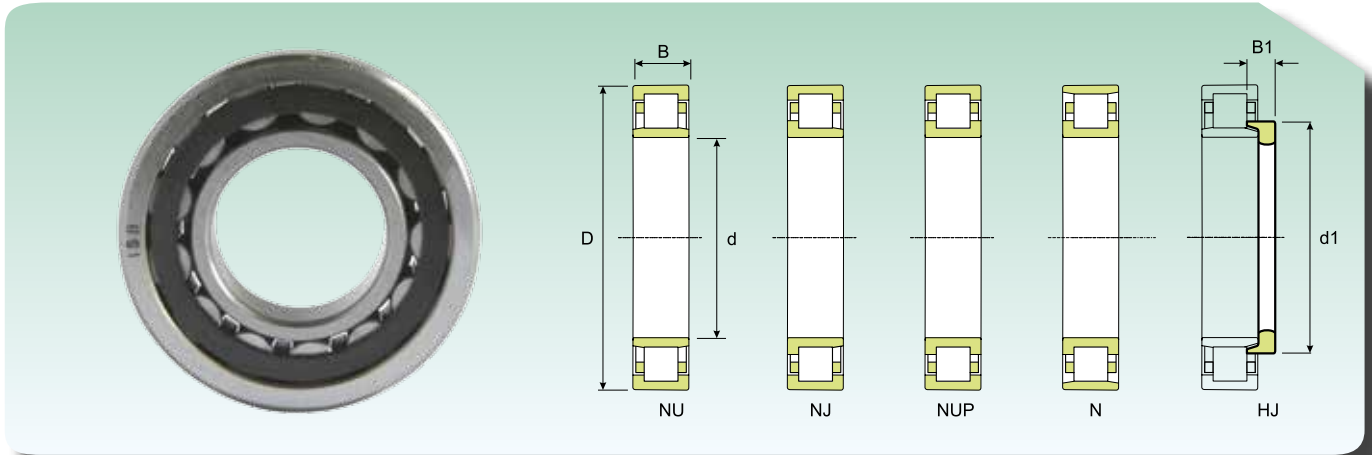


Dimensioni (mm) Dimension (mm)					Coefficiente di carico (KN) Load rating (KN)		Velocità limite (giri/min) Speed limit (Rpm)		Peso (Kg) Weight (Kg)	Sigla Designation	Anello reggispinta Thrust collar
d (mm)	D (mm)	B (mm)	d1 (mm)	B1 (mm)	Dinamico Dynamic C	Statico Static C <sub>0</sub>	Lubrificazione Lubrication				
							Grasso Grease	Olivo Oil			
15	35	11	-	-	12	10	19890	23400	0.047	NU 202	-
	35	11	21.9	-	12	10	19890	23400	0.049	NJ 202	-
17	40	12	25	-	17	14	16830	19800	0.066	N 203	-
	40	12	25	-	17	14	16830	19800	0.07	NJ 203	-
	40	12	-	-	17	14	16830	19800	0.068	NU 203	-
	40	12	25	-	17	14	16830	19800	0.073	NUP 203	-
	40	16	25	-	23	21	16830	19800	0.095	NJ 2203	-
	40	16	-	-	23	21	16830	19800	0.092	NU 2203	-
	40	16	25	-	23	21	16830	19800	0.097	NUP 2203	-
	47	14	27.7	-	24	20	15300	18000	0.12	N 303	-
	47	14	27.7	-	24	20	15300	18000	0.12	NJ 303	-
	47	14	-	-	24	20	15300	18000	0.12	NU 303	-
20	47	14	29.7	-	25	22	14535	17100	0.11	N 204	-
	47	14	29.7	-	25	22	14535	17100	0.11	NJ 204	-
	47	14	-	-	25	22	14535	17100	0.11	NU 204	-
	47	14	29.7	-	25	22	14535	17100	0.12	NUP 204	-
	47	18	29.7	-	29	27	14535	17100	0.14	NJ 2204	-
	47	18	-	-	29	27	14535	17100	0.14	NU 2204	-
	52	15	31.2	-	35	25	13770	16200	0.15	N 304	-
	52	15	31.2	6.5	35	25	13770	16200	0.17	NJ 304	HJ 304
	52	15	31.2	6.5	35	25	13770	16200	0.17	NU 304	HJ304
	52	15	31.2	-	35	25	13770	16200	0.16	NUP 304	-
	52	21	31.2	-	47	37	13770	16200	0.22	NJ 2304	-
	52	21	31.2	-	47	37	13770	16200	0.21	NU 2304	-
	52	21	31.2	-	47	37	13770	16200	0.22	NUP 2304	-
	25	47	12	-	-	14	13	13770	16200	0.084	NU 1005
52		15	34.7	-	28	26	12240	14400	0.13	N 205	-
52		15	34.7	6	28	26	12240	14400	0.15	NJ 205	HJ 205
52		15	34.7	6	28	26	12240	14400	0.14	NU 205	HJ 205
52		15	34.7	-	28	26	12240	14400	0.14	NUP 205	-
52		18	34.7	6.5	33	33	12240	14400	0.18	NJ 2205	HJ 2205
52		18	34.7	6.5	33	33	12240	14400	0.17	NU 2205	HJ 2205
52		18	34.7	-	33	33	12240	14400	0.17	NUP 2205	-
62		17	38.1	-	46	36	11475	13500	0.24	N 305	-
62		17	38.1	7	46	36	11475	13500	0.29	NJ 305	HJ 305
62		17	38.1	7	46	36	11475	13500	0.28	NU 305	HJ 305
62		17	38.1	-	46	36	11475	13500	0.25	NUP 305	-
62		24	38.1	8	63	54	11475	13500	0.39	NJ 2305	HJ 2305
62		24	38.1	8	63	54	11475	13500	0.38	NU 2305	HJ 2305
62		24	38.1	-	63	54	11475	13500	0.38	NUP 2305	-
30		55	13	-	-	18	17	11475	13500	0.12	NU 1006
	62	16	41.2	-	43	36	10710	12600	0.2	N 206	-
	62	16	41.2	7	43	36	10710	12600	0.24	NJ 206	HJ 206
	62	16	41.2	7	43	36	10710	12600	0.23	NU 206	HJ 206
	62	16	41.2	-	43	36	10710	12600	0.22	NUP 206	-
	62	20	41.2	-	54	48	10710	12600	0.27	NJ 2206	-

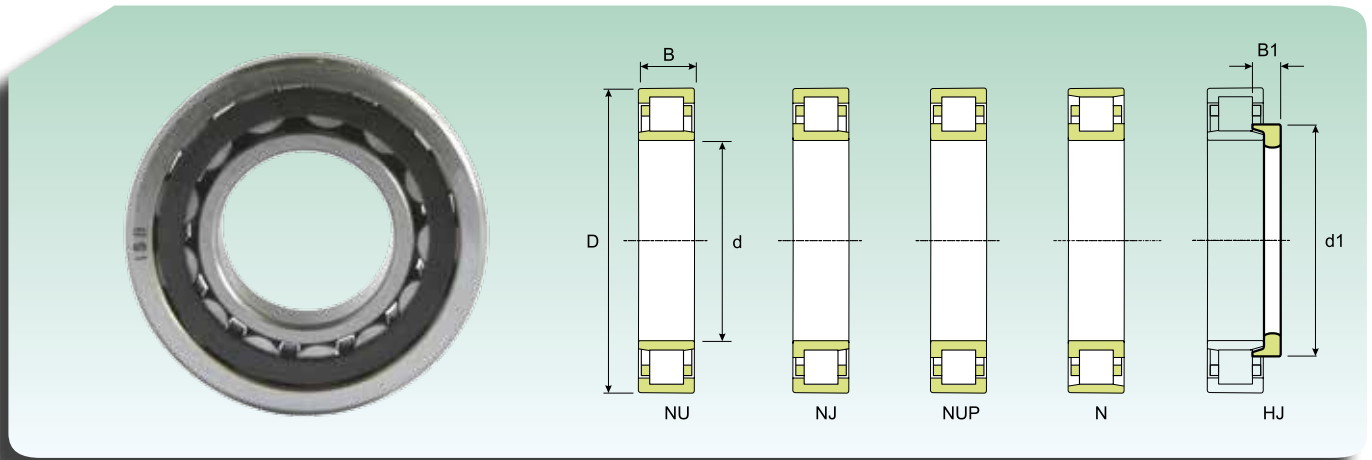
**CUSCINETTI A SINGOLA CORONA DI RULLI CILINDRICI  
CYLINDRICAL ROLLER BEARINGS, SINGLE ROW**


Dimensioni (mm) Dimension (mm)					Coefficiente di carico (KN) Load rating (KN)		Velocità limite (giri/min) Speed limit (Rpm)		Peso (Kg) Weight (Kg)	Sigla Designation	Anello reggispinta Thrust collar
d (mm)	D (mm)	B (mm)	d1 (mm)	B1 (mm)	Dinamico Dynamic C	Statico Static C <sub>0</sub>	Lubrificazione Lubrication				
							Grasso Grease	Olivo Oil			
30	62	20	-	-	54	48	10710	12600	0.26	NU 2206	-
	62	20	41.2	-	54	48	10710	12600	0.27	NUP 2206	-
	72	19	45	-	57	47	9180	10800	0.36	N 306	-
	72	19	45	8.5	57	47	9180	10800	0.41	NJ 306	HJ 306
	72	19	45	8.5	57	47	9180	10800	0.4	NU 306	HJ 306
	72	19	45	-	57	47	9180	10800	0.38	NUP 306	-
	72	27	45	-	81	74	9180	10800	0.54	NJ 2306	-
	72	27	-	-	81	74	9180	10800	0.53	NU 2306	-
	72	27	45	-	81	74	9180	10800	0.55	NUP 2306	-
	90	23	50.5	11.5	59	52	8415	9900	0.77	NJ 406	HJ 406
	90	23	50.5	11.5	59	52	8415	9900	0.75	NU 406	HJ 406
	35	62	14	-	-	35	37	9945	11700	0.16	NU 1007
72		17	48.1	-	55	47	9180	10800	0.3	N 207	-
72		17	48.1	7	55	47	9180	10800	0.31	NJ 207	HJ 207
72		17	48.1	7	55	47	9180	10800	0.3	NU 207	HJ 207
72		17	48.1	-	55	47	9180	10800	0.32	NUP 207	-
72		23	48.1	-	68	62	9180	10800	0.41	NJ 2207	-
72		23	-	-	68	62	9180	10800	0.4	NU 2207	-
72		23	48.1	-	68	62	9180	10800	0.42	NUP 2207	-
80		21	51	-	74	62	8415	9900	0.48	N 307	-
80		21	51	9.5	74	62	8415	9900	0.55	NJ 307	HJ 307
80		21	51	9.5	74	62	8415	9900	0.54	NU 307	HJ 307
80		21	51	-	74	62	8415	9900	0.51	NUP 307	-
80		31	51	-	104	96	8415	9900	0.73	NJ 2307	-
80		31	-	-	104	96	8415	9900	0.72	NU 2307	-
80		31	51	-	104	96	8415	9900	0.75	NUP 2307	-
100		25	59	-	75	68	7268	8550	1.05	NJ 407	-
100		25	-	-	75	68	7268	8550	1	NU 407	-
40		68	15	-	-	25	25	13770	16200	0.22	NU 1008
	80	18	54	-	61	52	8415	9900	0.37	N 208	-
	80	18	54	8.5	61	52	8415	9900	0.43	NJ 208	HJ 208
	80	18	54	8.5	61	52	8415	9900	0.42	NU 208	HJ 208
	80	18	54	-	61	52	8415	9900	0.4	NUP 208	-
	80	23	54	9	80	74	8415	9900	0.55	NJ 2208	HJ 2208
	80	23	54	9	80	74	8415	9900	0.54	NU 2208	HJ 2208
	80	23	54	-	80	74	8415	9900	0.56	NUP 2208	-
	90	23	57.5	-	91	76	7268	8550	0.64	N 308	-
	90	23	57.5	11	91	76	7268	8550	0.75	NJ 308	HJ 308
	90	23	57.5	11	91	76	7268	8550	0.73	NU 308	HJ 308
	90	23	57.5	-	91	76	7268	8550	0.68	NUP 308	-
	90	33	57.5	-	126	118	7268	8550	0.96	NJ 2308	-
	90	33	-	-	126	118	7268	8550	0.94	NU 2308	-
	90	33	57.5	-	126	118	7268	8550	0.98	NUP 2308	-
	110	27	64.8	-	95	88	6503	7650	1.35	NJ 408	-
	110	27	-	-	95	88	6503	7650	1.3	NU 408	-

**CUSCINETTI A SINGOLA CORONA DI RULLI CILINDRICI**  
**CYLINDRICAL ROLLER BEARINGS, SINGLE ROW**

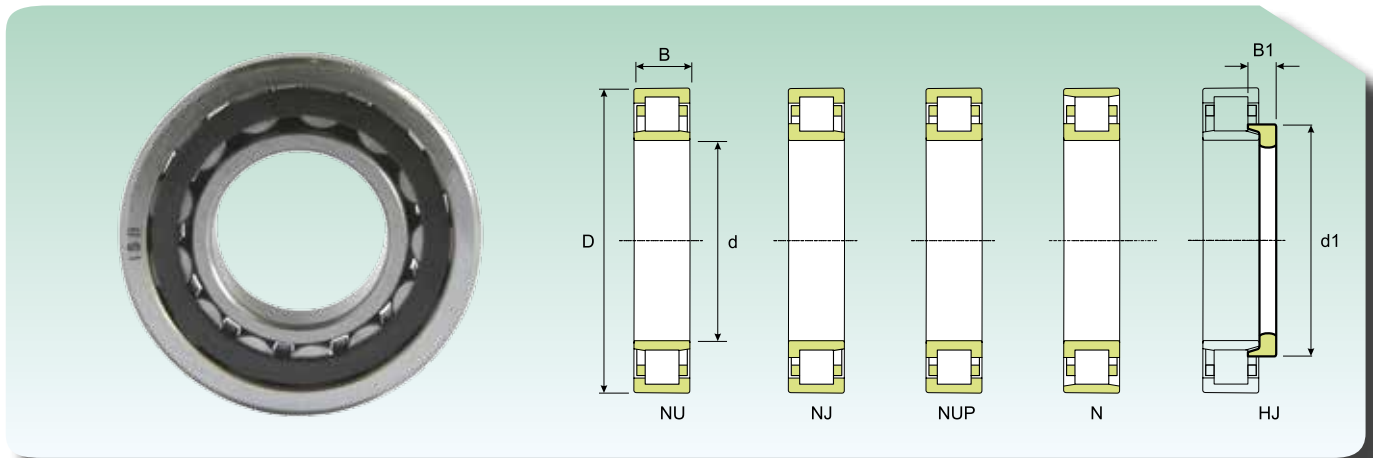


Dimensioni (mm) Dimension (mm)					Coefficiente di carico (KN) Load rating (KN)		Velocità limite (giri/min) Speed limit (Rpm)		Peso (Kg) Weight (Kg)	Sigla Designation	Anello reggispinta Thrust collar
d (mm)	D (mm)	B (mm)	d1 (mm)	B1 (mm)	Dinamico Dynamic C	Statico Static C <sub>0</sub>	Lubrificazione Lubrication				
							Grasso Grease	Olivo Oil			
45	75	16	-	-	44	51	8415	9900	0.26	NU 1009	-
	85	19	59	-	68	63	7268	8550	0.43	N 209	-
	85	19	59	8.5	68	63	7268	8550	0.49	NJ 209	HJ 209
	85	19	59	8.5	68	63	7268	8550	0.48	NU 209	HJ 209
	85	19	59	-	68	63	7268	8550	0.45	NUP 209	-
	85	23	59	-	83	80	7268	8550	0.54	NJ 2209	-
	85	23	-	-	83	80	7268	8550	0.52	NU 2209	-
	85	23	59	-	83	80	7268	8550	0.55	NUP 2209	-
	100	25	64.4	-	110	98	6503	7650	0.88	N 309	-
	100	25	64.4	11.5	110	98	6503	7650	1.05	NJ 309	HJ 309
	100	25	64.4	11.5	110	98	6503	7650	1	NU 309	HJ 309
	100	25	64.4	-	110	98	6503	7650	0.95	NUP 309	-
	100	36	64.4	-	157	150	6503	7650	1.35	NJ 2309	-
	100	36	-	-	157	150	6503	7650	1.3	NU 2309	-
	100	36	64.4	-	157	150	6503	7650	1.35	NUP 2309	-
	120	29	71.8	13.5	104	100	5738	6750	1.7	NJ 409	HJ 409
120	29	71.8	13.5	104	100	5738	6750	1.65	NU 409	HJ 409	
50	80	16	-	-	46	55	7268	8550	0.35	NU 1010	-
	90	20	64	-	72	68	6885	8100	0.48	N 210	-
	90	20	64	9	72	68	6885	8100	0.5	NJ 210	HJ 210
	90	20	64	9	72	68	6885	8100	0.49	NU 210	HJ 210
	90	20	64	-	72	68	6885	8100	0.51	NUP 210	-
	90	23	64	-	88	86	6885	8100	0.59	NJ 2210	-
	90	23	-	-	88	86	6885	8100	0.56	NU 2210	-
	90	23	64	-	88	86	6885	8100	0.59	NUP 2210	-
	110	27	71.2	-	124	110	6120	7200	1.15	N 310	-
	110	27	71.2	13	124	110	6120	7200	1.15	NJ 310	HJ 310
	110	27	71.2	13	124	110	6120	7200	1.15	NU 310	HJ 310
	110	27	71.2	-	124	110	6120	7200	1.2	NUP 310	-
	110	40	71.2	-	182	182	6120	7200	1.75	NJ 2310	-
	110	40	-	-	182	182	6120	7200	1.7	NU 2310	-
	110	40	71.2	-	182	182	6120	7200	1.8	NUP 2310	-
	130	31	78.8	14.5	127	124	5355	6300	2.05	NJ 410	HJ 410
130	31	78.8	14.5	127	124	5355	6300	2	NU 410	HJ 410	
55	90	18	-	-	56	68	6503	7650	0.4	NU 1011	-
	100	25	70.8	-	112	116	6120	7200	0.82	NUP 2211	-
	100	21	70.8	-	95	93	6120	7200	0.66	N 211	-
	100	21	70.8	9.5	95	93	6120	7200	0.67	NJ 211	HJ 211
	100	21	70.8	9.5	95	93	6120	7200	0.67	NU 211	HJ 211
	100	21	70.8	-	95	93	6120	7200	0.69	NUP 211	-
	100	25	70.8	10	112	116	6120	7200	0.81	NJ 2211	HJ 2211
	100	25	70.8	10	112	116	6120	7200	0.79	NU 2211	HJ 2211
	120	29	77.5	-	153	140	5355	6300	1.45	N 311	-
	120	29	77.5	9	153	140	5355	6300	1.5	NJ 311	HJ 311
	120	29	77.5	9	153	140	5355	6300	1.45	NU 311	HJ 311
	120	29	77.5	-	153	140	5355	6300	1.55	NUP 311	-
	120	43	77.5	9	227	227	5355	6300	2.3	NJ 2311	HJ 2311

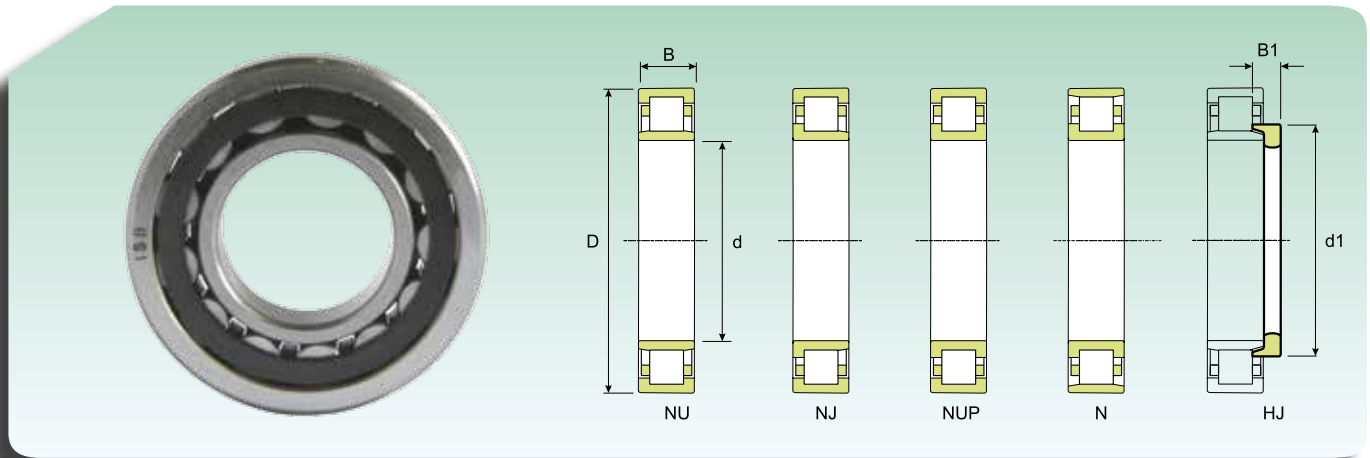
**CUSCINETTI A SINGOLA CORONA DI RULLI CILINDRICI  
CYLINDRICAL ROLLER BEARINGS, SINGLE ROW**


Dimensioni (mm) Dimension (mm)					Coefficiente di carico (KN) Load rating (KN)		Velocità limite (giri/min) Speed limit (Rpm)		Peso (Kg) Weight (Kg)	Sigla Designation	Anello reggispinta Thrust collar
d (mm)	D (mm)	B (mm)	d1 (mm)	B1 (mm)	Dinamico Dynamic C	Statico Static C <sub>0</sub>	Lubrificazione Lubrication				
							Grasso Grease	Olivo Oil			
55	120	43	77.5	9	227	227	5355	6300	2.25	NU 2311	HJ 2311
	120	43	77.5	-	227	227	5355	6300	2.35	NUP 2311	-
	140	33	85.2	-	139	137	4820	5670	2.55	NJ 411	-
	140	33	85.2	-	139	137	4820	5670	2.5	NU 411	-
60	95	18	-	-	37	43	9945	11700	0.48	NU 1012	-
	110	22	77.5	-	106	100	5738	6750	0.81	N 212	-
	110	22	77.5	10	106	100	5738	6750	0.83	NJ 212	HJ 212
	110	22	77.5	10	106	100	5738	6750	0.81	NU 212	HJ 212
	110	22	77.5	-	106	100	5738	6750	0.86	NUP 212	-
	110	28	77.5	10	143	150	5738	6750	1.15	NJ 2212	HJ 2212
	110	28	77.5	10	143	150	5738	6750	1.1	NU 2212	HJ 2212
	110	28	77.5	-	143	150	5738	6750	1.15	NUP 2212	-
	130	31	84.3	-	170	157	5126	6030	1.8	N 312	-
	130	31	84.3	14.5	170	157	5126	6030	1.9	NJ 312	HJ 312
	130	31	84.3	14.5	170	157	5126	6030	1.8	NU 312	HJ 312
	130	31	84.3	-	170	157	5126	6030	1.95	NUP 312	-
	130	46	84.3	16	255	260	5126	6030	2.8	NJ 2312	HJ 2312
	130	46	84.3	16	255	260	5126	6030	2.75	NU 2312	HJ 2312
	130	46	84.3	-	255	260	5126	6030	2.85	NUP 2312	-
	150	35	91.8	-	165	170	4590	5400	3.1	NJ 412	-
150	35	-	-	165	170	4590	5400	3	NU 412	-	
65	100	18	-	-	61	80	5738	6750	0.45	NU 1013	-
	120	23	84.4	-	120	116	5126	6030	1.05	N 213	-
	120	23	84.4	10	120	116	5126	6030	1.07	NJ 213	HJ 213
	120	23	84.4	10	120	116	5126	6030	1.05	NU 213	HJ 213
	120	23	84.4	-	120	116	5126	6030	1.1	NUP 213	-
	120	31	84.4	10.5	167	176	5126	6030	1.45	NJ 2213	HJ 2213
	120	31	84.4	10.5	167	176	5126	6030	1.4	NU 2213	HJ 2213
	120	31	84.4	-	167	176	5126	6030	1.5	NUP 2213	-
	140	33	90.5	-	208	192	4590	5400	2.25	N 313	-
	140	33	90.5	15.5	208	192	4590	5400	2.3	NJ 313	HJ 313
	140	33	90.5	15.5	208	192	4590	5400	2.25	NU 313	HJ 313
	140	33	90.5	-	208	192	4590	5400	2.35	NUP 313	-
	140	48	90.5	18	279	284	4590	5400	3.35	NJ 2313	HJ 2313
	140	48	90.5	18	279	284	4590	5400	3.3	NU 2313	HJ 2313
	140	48	90.5	-	279	284	4590	5400	3.45	NUP 2313	-
	160	37	98.5	18	179	186	4284	5040	3.65	NJ 413	HJ 413
	160	37	98.5	18	179	186	4284	5040	3.6	NU 413	HJ 413
	70	110	20	84	10	75	91	5355	6300	0.62	NU 1014
125		24	89.4	-	134	134	4820	5670	1.15	N 214	-
125		24	89.4	11	134	134	4820	5670	1.15	NJ 214	HJ 214
125		24	89.4	11	134	134	4820	5670	1.15	NU 214	HJ 214
125		24	89.4	-	134	134	4820	5670	1.2	NUP 214	-
125		31	89.4	11.5	176	189	4820	5670	1.55	NJ 2214	HJ 2214
125		31	89.4	11.5	176	189	4820	5670	1.5	NU 2214	HJ 2214
125		31	89.4	-	176	189	4820	5670	1.55	NUP 2214	-
150		35	97.3	-	231	223	4284	5040	2.75	N 314	-

**CUSCINETTI A SINGOLA CORONA DI RULLI CILINDRICI**  
**CYLINDRICAL ROLLER BEARINGS, SINGLE ROW**

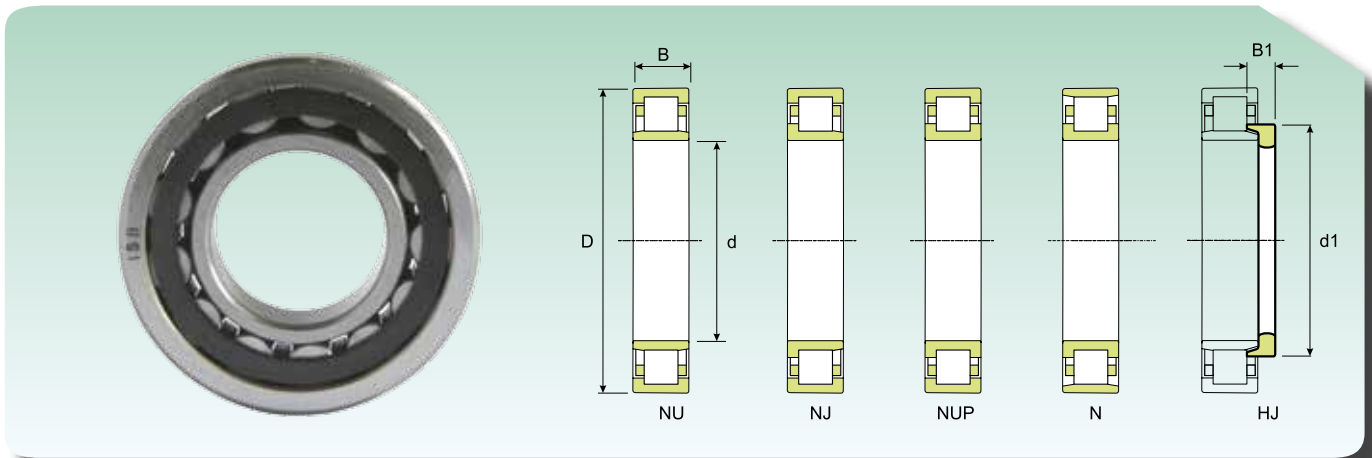


Dimensioni (mm) Dimension (mm)					Coefficiente di carico (KN) Load rating (KN)		Velocità limite (giri/min) Speed limit (Rpm)		Peso (Kg) Weight (Kg)	Sigla Designation	Anello reggispinta Thrust collar	
d (mm)	D (mm)	B (mm)	d1 (mm)	B1 (mm)	Dinamico Dynamic C	Statico Static C <sub>0</sub>	Lubrificazione Lubrication					
							Grasso Grease	Olivo Oil				
70	150	35	97.3	15.5	231	223	4284	5040	2.8	NJ 314	HJ 314	
	150	35	97.3	15.5	231	223	4284	5040	2.75	NU 314	HJ 314	
	150	35	97.3	-	231	223	4284	5040	2.85	NUP 314	-	
	150	51	97.3	18.5	309	319	4284	5040	4.05	NJ 2314	HJ 2314	
	150	51	97.3	18.5	309	319	4284	5040	4	NU 2314	HJ 2314	
	150	51	97.3	-	309	319	4284	5040	4.15	NUP 2314	-	
	180	42	110	20	224	235	3825	4500	5.35	NJ 414	HJ 414	
	180	42	110	20	224	235	3825	4500	5.25	NU 414	HJ 414	
75	115	20	-	-	57	70	7650	9000	0.74	NU 1015	-	
	130	25	94.3	-	147	153	4590	5400	1.25	N 215	-	
	130	25	94.3	11	147	153	4590	5400	1.3	NJ 215	HJ 215	
	130	25	94.3	11	147	153	4590	5400	1.25	NU 215	HJ 215	
	130	25	94.3	-	147	153	4590	5400	1.3	NUP 215	-	
	130	31	94.3	-	182	204	4590	5400	1.6	NJ 2215	-	
	130	31	-	-	182	204	4590	5400	1.6	NU 2215	-	
	130	31	94.3	-	182	204	4590	5400	1.65	NUP 2215	-	
	160	37	104	-	274	260	4055	4770	3.3	N 315	-	
	160	37	104	16.5	274	260	4055	4770	3.35	NJ 315	HJ 315	
	160	37	104	16.5	274	260	4055	4770	3.3	NU 315	HJ 315	
	160	37	104	-	274	260	4055	4770	3.45	NUP 315	-	
	160	55	104	19.5	372	392	4055	4770	5	NJ 2315	HJ 2315	
	160	55	104	19.5	372	392	4055	4770	4.9	NU 2315	HJ 2315	
	160	55	104	-	372	392	4055	4770	5.1	NUP 2315	-	
	190	45	116	21.5	259	274	3672	4320	6.9	NJ 415	HJ 415	
190	45	116	21.5	259	274	3672	4320	6.25	NU 415	HJ 415		
80	125	22	-	-	65	80	4820	5670	1	NU 1016	-	
	125	22	96.2	-	97	124	7268	8550	1.1	NJ 1016	-	
	140	26	101	-	157	163	4284	5040	1.5	N 216	-	
	140	26	101	12.5	157	163	4284	5040	1.55	NJ 216	HJ 216	
	140	26	101	12.5	157	163	4284	5040	1.5	NU 216	HJ 216	
	140	26	101	12.5	157	163	4284	5040	1.6	NUP 216	-	
	140	33	101	12.5	208	240	4284	5040	2.05	NJ 2216	HJ2216	
	140	33	101	12.5	208	240	4284	5040	2	NU 2216	HJ 2216	
	140	33	101	-	208	240	4284	5040	2.1	NUP 2216	-	
	170	39	110	-	294	284	3825	4500	3.9	N 316	-	
	170	39	110	17	294	284	3825	4500	4	NJ 316	HJ 316	
	170	39	110	17	294	284	3825	4500	3.95	NU 316	HJ 316	
	170	39	110	-	294	284	3825	4500	4.1	NUP 316	-	
	170	58	110	20	407	431	3825	4500	6	NJ 2316	HJ2316	
	170	58	110	20	407	431	3825	4500	5.95	NU 2316	HJ 2316	
	170	58	110	-	407	431	3825	4500	6.6	NUP 2316	-	
	200	48	122	22	297	314	3443	4050	7.5	NJ 416	HJ 416	
	200	48	122	22	297	314	3443	4050	8.05	NU 416	HJ 416	
	85	130	22	-	-	67	85	6885	8100	1.05	NU 1017	-
		150	28	107	-	186	196	4055	4770	1.9	N 217	-
150		28	107	12.5	186	196	4055	4770	1.95	NJ 217	HJ 217	
150		28	107	12.5	186	196	4055	4770	1.9	NU 217	HJ 217	

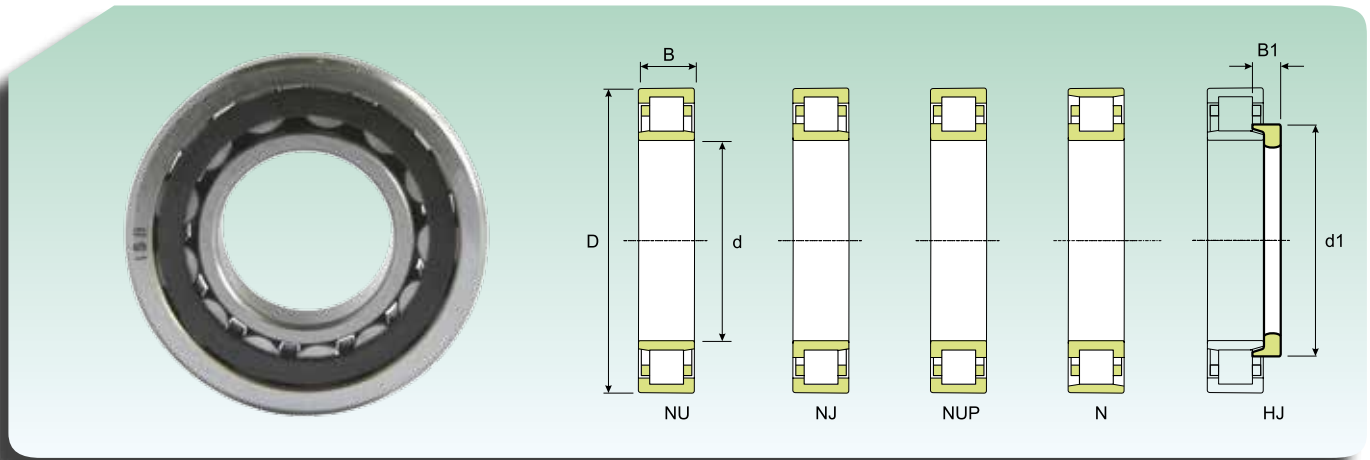
**CUSCINETTI A SINGOLA CORONA DI RULLI CILINDRICI  
CYLINDRICAL ROLLER BEARINGS, SINGLE ROW**


Dimensioni (mm) Dimension (mm)					Coefficiente di carico (kN) Load rating (kN)		Velocità limite (giri/min) Speed limit (Rpm)		Peso (Kg) Weight (Kg)	Sigla Designation	Anello reggispinta Thrust collar
d (mm)	D (mm)	B (mm)	d1 (mm)	B1 (mm)	Dinamico Dynamic C	Statico Static C <sub>0</sub>	Lubrificazione Lubrication				
							Grasso Grease	Olivo Oil			
85	150	28	107	-	186	196	4055	4770	2	NUP 217	-
	150	36	107	-	245	274	4055	4770	2.55	NJ 2217	-
	150	36	-	-	245	274	4055	4770	2.45	NU 2217	-
	150	36	107	-	245	274	4055	4770	2.65	NUP 2217	-
	180	41	117	-	333	328	3672	4320	4.7	N 317	-
	180	41	117	18.5	333	328	3672	4320	4.8	NJ 317	HJ 317
	180	41	117	18.5	333	328	3672	4320	4.7	NU 317	HJ 317
	180	41	117	-	333	328	3672	4320	4.9	NUP 317	-
	180	60	117	22	446	480	3672	4320	7	NJ 2317	HJ 2317
	180	60	117	22	446	480	3672	4320	6.85	NU 2317	HJ 2317
	180	60	117	-	446	480	3672	4320	7	NUP 2317	-
	210	52	126	24	313	328	3290	3870	8.9	NJ 417	HJ 417
	210	52	126	24	313	328	3290	3870	9.7	NU 417	HJ 417
	90	140	24	-	-	79	102	6503	7650	1.35	NU 1018
160		30	114	-	204	216	3825	4500	2.35	N 218	-
160		30	114	14	204	216	3825	4500	2.4	NJ 218	HJ 218
160		30	114	14	204	216	3825	4500	2.35	NU 218	HJ 218
160		30	114	-	204	216	3825	4500	2.45	NUP 218	-
160		40	114	15	274	309	3825	4500	3.2	NJ 2218	HJ 2218
160		40	114	15	274	309	3825	4500	3.15	NU 2218	HJ 2218
160		40	114	-	274	309	3825	4500	3.3	NUP 2218	-
190		43	124	-	358	353	3443	4050	5.4	N 318	-
190		43	124	18.5	358	353	3443	4050	5.55	NJ 318	HJ 318
190		43	124	18.5	358	353	3443	4050	5.45	NU 318	HJ 318
190		43	124	-	358	353	3443	4050	5.65	NUP 318	-
190		64	124	22	490	529	3443	4050	8.15	NJ 2318	HJ 2318
190		64	124	22	490	529	3443	4050	8	NU 2318	HJ 2318
190		64	124	-	490	529	3443	4050	8.15	NUP 2318	-
225		54	-	-	372	407	3060	3600	10.5	NU 418	-
95		145	24	-	-	83	108	6120	7200	1.4	NU 1019
	170	32	120	-	250	260	3672	4320	2.85	N 219	-
	170	32	120	14	250	260	3672	4320	2.9	NJ 219	HJ 219
	170	32	120	14	250	260	3672	4320	2.85	NU 219	HJ 219
	170	32	120	-	250	260	3672	4320	3	NUP 219	-
	170	43	120	-	319	368	3672	4320	3.95	NJ 2219	-
	170	43	-	-	319	368	3672	4320	3.85	NU 2219	-
	170	43	120	-	319	368	3672	4320	4	NUP 2219	-
	200	45	132	-	382	382	3290	3870	6.25	N 319	-
	200	45	132	20.5	382	382	3290	3870	6.45	NJ 319	HJ 319
	200	45	132	20.5	382	382	3290	3870	6.25	NU 319	HJ 319
	200	45	132	-	382	382	3290	3870	6.25	NUP 319	-
	200	67	132	24.5	519	573	3290	3870	10.7	NJ 2319	HJ 2319
	200	67	132	24.5	519	573	3290	3870	9.65	NU 2319	HJ 2319
	200	67	132	-	519	573	3290	3870	9.75	NUP 2319	-
	240	55	-	-	405	446	2754	3240	13.5	NU 419	-

**CUSCINETTI A SINGOLA CORONA DI RULLI CILINDRICI**  
**CYLINDRICAL ROLLER BEARINGS, SINGLE ROW**



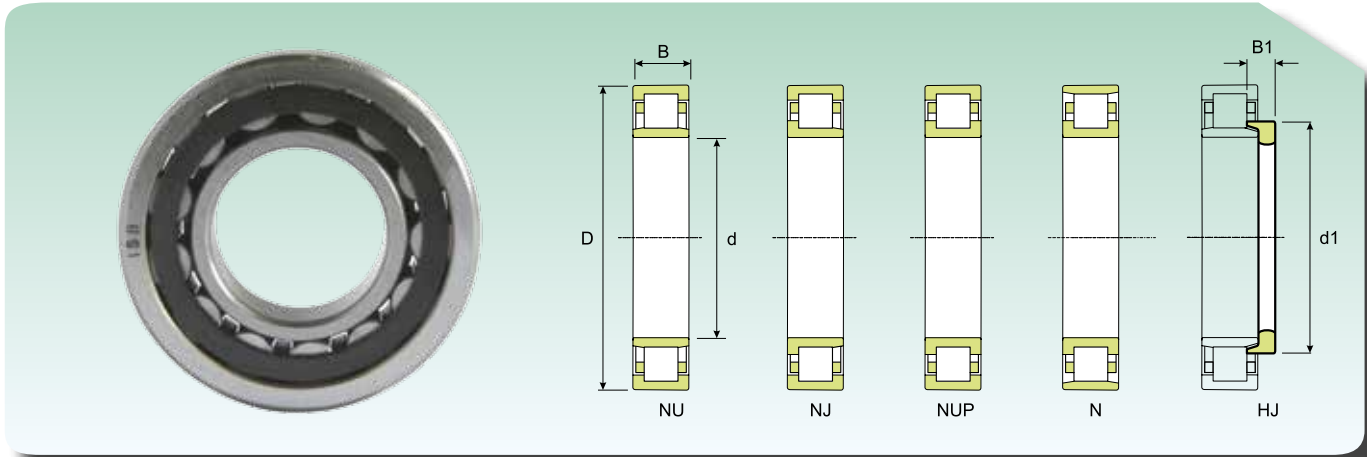
Dimensioni (mm) Dimension (mm)					Coefficiente di carico (KN) Load rating (KN)		Velocità limite (giri/min) Speed limit (Rpm)		Peso (Kg) Weight (Kg)	Sigla Designation	Anello reggispinta Thrust collar
d (mm)	D (mm)	B (mm)	d1 (mm)	B1 (mm)	Dinamico Dynamic C	Statico Static C <sub>0</sub>	Lubrificazione Lubrication				
							Grasso Grease	Olivo Oil			
100	150	24	-	-	84	112	5738	6750	1.45	NU 1020	-
	180	34	127	-	279	299	3443	4050	3.45	N 220	-
	180	34	127	15	279	299	3443	4050	3.5	NJ 220	HJ 220
	180	34	127	15	279	299	3443	4050	3.45	NU 220	HJ 220
	180	34	127	-	279	299	3443	4050	3.6	NUP 220	-
	180	46	127	16	372	441	3443	4050	4.8	NJ 2220	HJ 2220
	180	46	127	16	372	441	3443	4050	4.75	NU 2220	HJ 2220
	180	46	127	-	372	441	3443	4050	4.9	NUP 2220	-
	215	47	139	-	441	431	2907	3420	7.55	N 320	-
	215	47	139	20.5	441	431	2907	3420	7.65	NJ 320	HJ 320
	215	47	139	20.5	441	431	2907	3420	7.8	NU 320	HJ 320
	215	47	139	-	441	431	2907	3420	7.85	NUP 320	-
	215	73	139	23.5	657	720	2907	3420	12.2	NJ 2320	HJ 2320
	215	73	139	23.5	657	720	2907	3420	12	NU 2320	HJ 2320
	215	73	139	-	657	720	2907	3420	12.5	NUP 2320	-
250	58	153	27	420	466	2754	3240	14	NU 420	HJ 420	
105	160	26	-	-	99	134	5738	6750	1.85	NU 1021	-
	190	36	134	-	294	309	3290	3870	3.95	N 221	-
	190	36	134	17.5	294	309	3290	3870	4.1	NJ 221	HJ 221
	190	36	134	17.5	294	309	3290	3870	4	NU 221	HJ 221
	190	36	134	-	294	309	3290	3870	4	NUP 221	-
	225	49	145	-	490	490	2907	3420	9	NJ 321	-
	225	49	-	-	490	490	2907	3420	8.75	NU 321	-
	225	49	145	-	490	490	2907	3420	8.60	N 321	-
	260	60	-	-	491	559	2601	3060	19	NU 421	-
	110	170	28	-	-	125	163	5355	6300	2.3	NU 1022
200		38	141	-	328	358	3060	3600	4.8	N 222	-
200		38	141	17	328	358	3060	3600	4.9	NJ 222	HJ 222
200		38	141	17	328	358	3060	3600	4.8	NU 222	HJ 222
200		38	141	-	328	358	3060	3600	5	NUP 222	-
200		53	141	-	431	510	3060	3600	6.85	NJ 2222	-
200		53	-	-	431	510	3060	3600	6.7	NU 2222	-
200		53	141	-	431	510	3060	3600	7	NUP 2222	-
240		50	155	-	519	529	2601	3060	10.5	N 322	-
240		50	155	22	519	529	2601	3060	11.1	NJ 322	HJ 322
240		50	155	22	519	529	2601	3060	10.8	NU 322	HJ 322
240		50	155	-	519	529	2601	3060	11.2	NUP 322	-
240		80	155	26.5	764	882	2601	3060	18.9	NJ 2322	HJ 2322
240		80	155	26.5	764	882	2601	3060	17	NU 2322	HJ 2322
240		80	155	-	764	882	2601	3060	17	NUP 2322	-
280		65	171	29.5	521	573	2448	2880	20.3	NJ 422	HJ 422
280		65	171	29.5	521	573	2448	2880	20	NU 422	HJ 422

**CUSCINETTI A SINGOLA CORONA DI RULLI CILINDRICI  
CYLINDRICAL ROLLER BEARINGS, SINGLE ROW**


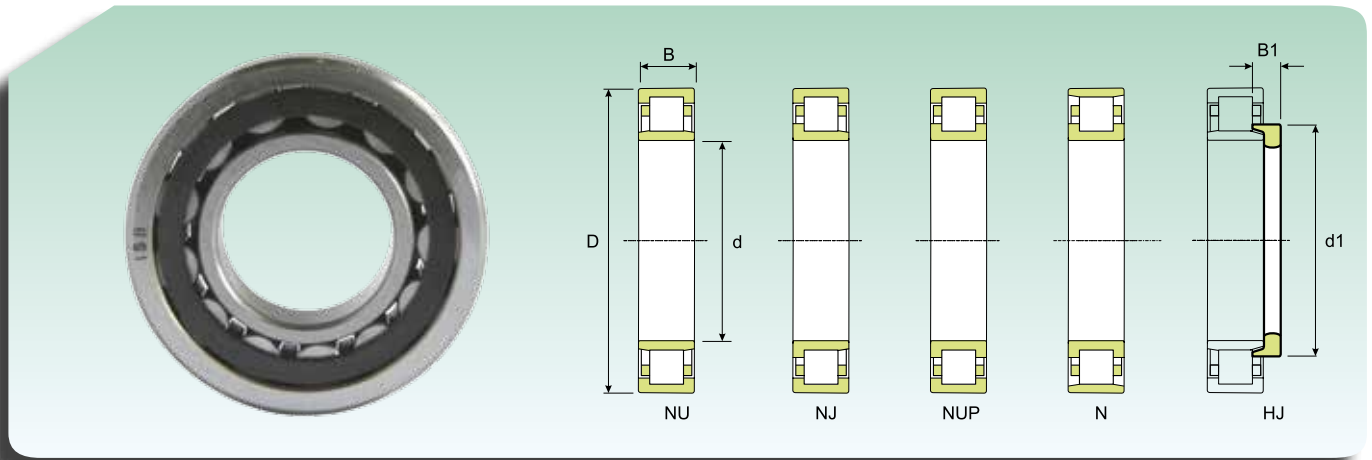
Dimensioni (mm) Dimension (mm)					Coefficiente di carico (kN) Load rating (kN)		Velocità limite (giri/min) Speed limit (Rpm)		Peso (Kg) Weight (Kg)	Sigla Designation	Anello reggispinta Thrust collar
d (mm)	D (mm)	B (mm)	d1 (mm)	B1 (mm)	Dinamico Dynamic C	Statico Static C <sub>0</sub>	Lubrificazione Lubrication				
							Grasso Grease	Olivo Oil			
120	180	28	-	-	131	179	4820	5670	2.45	NU 1024	-
	215	40	153	-	382	421	2754	3240	5.75	N 224	-
	215	40	153	17	382	421	2754	3240	5.85	NJ 224	HJ 224
	215	40	153	17	382	421	2754	3240	5.75	NU 224	HJ 224
	215	40	153	-	382	421	2754	3240	6	NUP 224	-
	215	58	153	20	510	617	2754	3240	8.5	NJ 2224	HJ 2224
	215	58	153	20	510	617	2754	3240	8.3	NU 2224	HJ 2224
	215	58	153	-	510	617	2754	3240	9	NUP 2224	-
	260	55	168	-	598	608	2448	2880	13.2	N 324	-
	260	55	168	22.5	598	608	2448	2880	13.5	NJ 324	HJ 324
	260	55	168	22.5	598	608	2448	2880	13.3	NU 324	HJ 324
	260	55	168	22.5	598	608	2448	2880	15	NUP 324	-
	260	86	168	26	897	1019	3290	3870	24.3	NJ 2324	HJ 2324
	260	86	168	26	897	1019	3290	3870	24	NU 2324	HJ 2324
260	86	168	-	897	1019	3290	3870	24.3	NUP 2324	-	
310	72	188	30.5	631	720	2142	2520	28	NU 424	HJ 424	
130	200	33	-	-	162	220	4284	5040	3.8	NU 1026	-
	230	40	164	-	407	446	2601	3060	6.3	N 226	-
	230	40	164	17	407	446	2601	3060	6.6	NJ 226	HJ 226
	230	40	164	17	407	446	2601	3060	6.45	NU 226	HJ 226
	230	40	164	-	407	446	2601	3060	6.75	NUP 226	-
	230	64	164	-	598	720	2601	3060	12.2	NJ 2226	-
	230	64	164	21	598	720	2601	3060	10.5	NU 2226	HJ 2226
	230	64	164	21	598	720	2601	3060	11	NUP 2226	-
	280	58	181	-	706	735	2295	2700	18.5	N 326	-
	280	58	181	23	706	735	2295	2700	18.4	NJ 326	HJ 326
	280	58	181	23	706	735	2295	2700	16.5	NU 326	HJ 326
	280	58	181	-	706	735	2295	2700	19.6	NUP 326	-
	280	93	181	28	1039	1225	2907	3420	30.5	NJ 2326	HJ 2326
	280	93	181	28	1039	1225	2907	3420	30	NU 2326	HJ 2326
	280	93	181	-	1039	1225	2907	3420	31	NUP 2326	-
	140	210	33	-	-	175	250	4055	4770	4.05	NU 1028
250		42	179	18	441	500	2448	2880	8.75	NJ 228	HJ 228
250		42	179	18	441	500	2448	2880	8.75	NU 228	HJ 228
250		42	179	-	441	500	2448	2880	8.9	NUP 228	-
250		68	179	23	655	810	3850	4300	15.0	NJ 2228	HJ 2228
250		68	179	23	655	810	3850	4300	15.3	NU 2228	HJ 2228
250		68	179	-	655	810	3850	4300	15.6	NUP 2228	-
300		62	195	25	764	813	3290	3870	23	NJ 328	HJ 328
300		62	195	25	764	813	3290	3870	22.7	NU 328	HJ 328
300		62	195	-	764	813	3290	3870	23.5	NUP 328	-
300		102	195	31	1176	1401	2754	3240	37.5	NJ 2328	HJ 2328
300		102	195	31	1176	1401	2754	3240	37	NU 2328	HJ 2328
300		102	195	-	1176	1401	2754	3240	37.5	NUP 2328	-



**CUSCINETTI A SINGOLA CORONA DI RULLI CILINDRICI**  
**CYLINDRICAL ROLLER BEARINGS, SINGLE ROW**

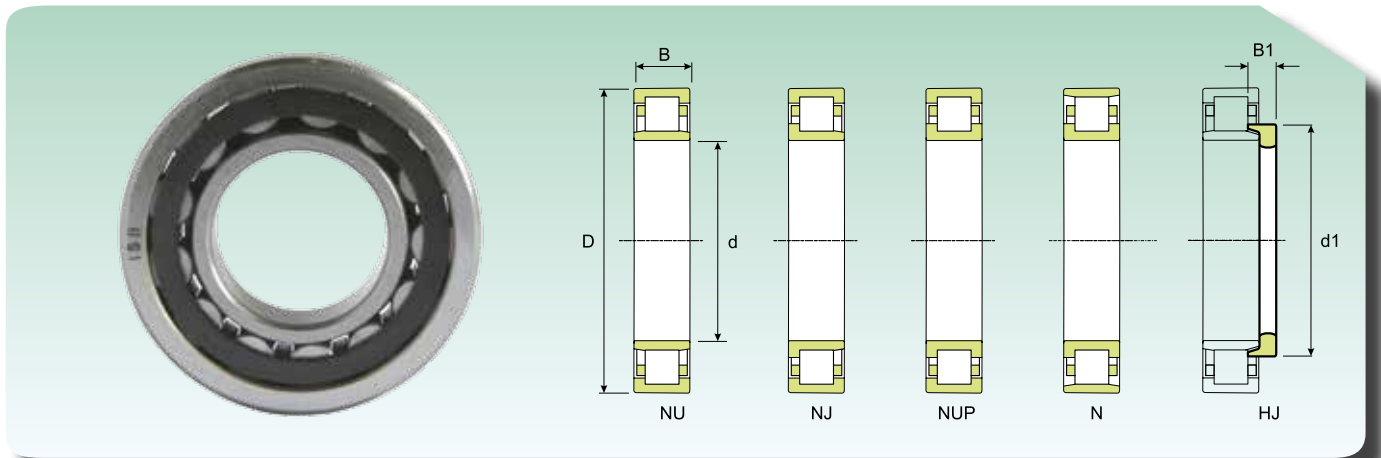


Dimensioni (mm) Dimension (mm)					Coefficiente di carico (KN) Load rating (KN)		Velocità limite (giri/min) Speed limit (Rpm)		Peso (Kg) Weight (Kg)	Sigla Designation	Anello reggispinta Thrust collar	
d (mm)	D (mm)	B (mm)	d1 (mm)	B1 (mm)	Dinamico Dynamic C	Statico Static C <sub>0</sub>	Lubrificazione Lubrication					
							Grasso Grease	Olivo Oil				
150	225	35	-	-	194	284	3825	4500	4.85	NU 1030	-	
	270	45	193	19.5	500	588	2142	2520	10.8	NJ 230	HJ 230	
	270	45	193	19.5	500	588	2142	2520	10.6	NU 230	HJ 230	
	270	45	193	-	500	588	2142	2520	11	NUP 230	-	
	270	73	194	24.5	720	911	2142	2520	18.7	NJ 2230	HJ 2230	
	270	73	194	24.5	720	911	2142	2520	18.5	NU 2230	HJ 2230	
	320	65	209	25	882	946	2601	3060	27.7	NJ 330	HJ 330	
	320	65	209	25	882	946	1989	2340	27.5	NU 330	HJ 330	
	320	108	209	-	1343	1597	2601	3060	46	NJ 2330	-	
	320	108	209	-	1343	1597	2601	3060	45.5	NU 2330	-	
	320	108	209	-	1343	1597	2601	3060	46.5	NUP 2330	-	
	160	240	38	188	19	224	319	3672	4320	5.95	NU 1032	HJ 1032
290		48	206	-	573	666	1989	2340	14.3	N 232	-	
290		48	206	20	573	666	1989	2340	14.4	NJ 232	HJ 232	
290		48	206	20	573	666	1989	2340	14.2	NU 232	HJ 232	
290		48	206	-	573	666	1989	2340	14.5	NUP 232	-	
290		80	205	24.5	911	1176	2601	3060	24.7	NJ 2232	HJ 2232	
290		80	205	24.5	911	1176	2601	3060	24.2	NU 2232	HJ 2232	
340		68	221	25	980	1058	1836	2160	32.2	NJ 332	HJ 332	
340		68	221	25	980	1058	1836	2160	32	NU 332	HJ 332	
340		114	221	-	1225	1695	2448	2880	53.5	NJ 2332	-	
340		114	-	-	1225	1695	2448	2880	53	NU 2332	-	
170		260	42	201	21	270	392	3290	3870	8	NU 1034	HJ 1034
	310	52	220	20	681	799	1836	2160	18.7	NJ 234	HJ 234	
	310	52	220	20	681	799	1836	2160	18.2	NU 234	HJ 234	
	310	52	220	-	681	799	2448	2880	20	NUP 234	-	
	310	86	220	24	1039	1401	2448	2880	30	NU 2234	HJ 2234	
	360	72	236	-	933	1156	1683	1980	38.5	N 334	-	
	360	72	-	-	933	1156	1683	1980	37.5	NU 334	-	
	360	120	234	-	1421	1999	2295	2700	63	NJ 2334	-	
	360	120	-	-	1421	1999	2295	2700	63	NU 2334	-	
	180	280	46	215	22.5	329	466	3060	3600	10.5	NU 1036	HJ 1036
320		52	230	20	706	833	2448	2880	19.3	NJ 236	HJ 236	
320		52	230	20	706	833	2448	2880	19.1	NU 236	HJ 236	
320		52	230	-	706	833	2448	2880	21	NUP 236	-	
320		86	229	24	1078	1401	2448	2880	32	NJ 2236	HJ 2236	
320		86	229	24	1078	1401	2448	2880	31.5	NU 2236	HJ 2236	
380		75	-	-	1000	1264	1683	1980	45	NU 336	-	
380		126	-	-	1578	2195	2142	2520	71.5	NU 2336	-	
190		290	46	225	22.5	340	490	2907	3420	11	NU 1038	HJ 1038
		340	55	244	21.5	784	946	2295	2700	24.5	NJ 238	HJ 238
	340	55	244	21.5	784	946	2295	2700	24	NU 238	HJ 238	
	340	55	244	-	784	946	2295	2700	25	NUP 238	-	
	340	92	-	-	1196	1568	2295	2700	39	NU 2238	-	
	400	78	264	29	1117	1470	153	180	50	NU 338	HJ 338	
	400	132	-	-	1793	2499	1989	2340	82.5	NU 2338	-	

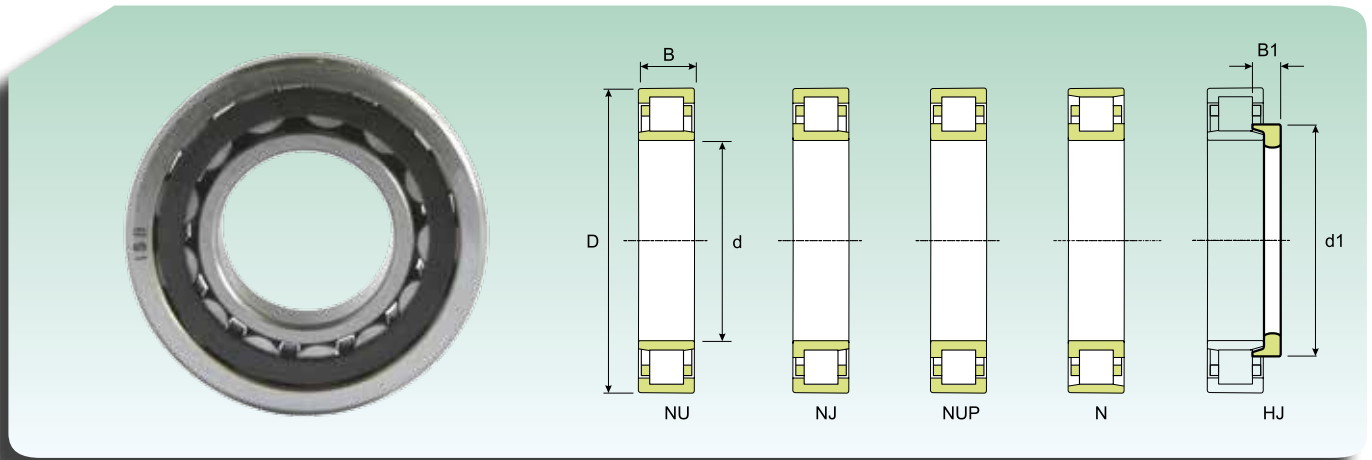
**CUSCINETTI A SINGOLA CORONA DI RULLI CILINDRICI  
CYLINDRICAL ROLLER BEARINGS, SINGLE ROW**


Dimensioni (mm) Dimension (mm)					Coefficiente di carico (KN) Load rating (KN)		Velocità limite (giri/min) Speed limit (Rpm)		Peso (Kg) Weight (Kg)	Sigla Designation	Anello reggispinta Thrust collar
d (mm)	D (mm)	B (mm)	d1 (mm)	B1 (mm)	Dinamico Dynamic C	Statico Static C <sub>0</sub>	Lubrificazione Lubrication				
							Grasso Grease	Olivo Oil			
200	310	51	239	25.5	372	559	2295	2700	14.5	NU 1040	HJ 1040
	360	58	258	23	833	1000	2142	2520	29	NJ 240	HJ 240
	360	58	258	23	833	1000	2142	2520	28.5	NU 240	HJ 240
	360	58	258	-	833	1000	2142	2520	29.5	NUP 240	-
	360	98	-	-	1343	1764	2142	2520	46	NU 2240	-
	420	80	-	-	1205	1597	1836	2160	57.5	NU 340	-
	420	138	278	-	1940	2744	1836	2160	97	NJ 2340	-
	420	138	-	-	1940	2744	1836	2160	96.5	NU 2340	-
220	340	56	262	27	485	720	2142	2520	18.5	NU 1044	HJ 1044
	400	65	284	25	1039	1264	1836	2160	38.2	NJ 244	HJ 244
	400	65	284	25	1039	1264	1836	2160	38	NU 244	HJ 244
	400	65	284	-	1039	1264	1836	2160	38.5	NUP 244	-
	400	108	-	-	1539	2234	1836	2160	62.5	NU 2244	-
	460	88	307	-	1186	1597	1301	1530	73.5	NJ 344	-
	460	88	-	-	1186	1597	1301	1530	72.5	NU 344	-
	460	145	-	-	2332	3381	1683	1980	120	NU 2344	-
240	360	56	282	27	515	784	2000	2300	20	NU 1048	HJ 1048
	440	72	-	-	933	1343	1683	1980	51.5	NU 248	-
	440	72	313	-	933	1343	1683	1980	51.5	NJ 248	-
	440	72	313	-	933	1343	1683	1980	53.5	NUP 248	-
	440	120	313	-	1421	2313	1683	1980	85	NJ 2248	-
	440	120	-	-	1421	2313	1683	1980	84	NU 2248	-
	500	95	335	39.5	1421	1960	1530	1800	98.5	NJ 348	HJ 348
	500	95	335	39.5	1421	1960	1224	1440	94.5	NU 348	HJ 348
	500	155	-	-	2548	3577	1530	1800	155	NU 2348	-
	260	400	65	309	31.5	614	946	1836	2160	29.5	NU 1052
480		80	340	33	1147	1666	1530	1800	70	NJ 252	HJ 252
480		80	340	33	1147	1666	1530	1800	68.5	NU 252	HJ 252
480		80	340	-	1147	1666	1530	1800	72	NUP 252	-
480		130	340	-	1754	2940	1530	1800	112	NJ 2252	-
480		130	-	-	1754	2940	1530	1800	110	NU 2252	-
540		102	-	-	1901	2646	1377	1620	125	NU 352	-
280		420	65	329	31.5	647	1039	1683	1980	31.5	NU 1056
	500	80	360	-	1117	1666	1454	1710	73	NJ 256	-
	500	80	-	-	1117	1666	1454	1710	71.5	NU 256	-
	500	130	350	38	2156	3185	1454	1710	115	NU 2256	HJ 2256
	580	175	-	-	2646	4214	1301	1530	230	NU 2356	-
300	460	74	356	36	841	1343	1530	1800	47	NJ 1060	HJ 1060
	460	74	356	36	841	1343	1530	1800	46.5	NU 1060	HJ 1060
	540	85	-	-	1392	2078	1377	1620	89.5	NU 260	-
	540	140	-	-	2048	3381	1377	1620	145	NU 2260	-
320	480	74	376	36	862	1401	1071	1260	49	NJ 1064	HJ 1064
	480	74	376	36	862	1401	1071	1260	48.5	NU 1064	HJ 1064
	580	92	-	-	1578	2401	1224	1440	115	NU 264	-
	580	150	-	-	3126	4900	1224	1440	190	NJ 2264	-

**CUSCINETTI A SINGOLA CORONA DI RULLI CILINDRICI**  
**CYLINDRICAL ROLLER BEARINGS, SINGLE ROW**



Dimensioni (mm) Dimension (mm)					Coefficiente di carico (kN) Load rating (kN)		Velocità limite (giri/min) Speed limit (Rpm)		Peso (Kg) Weight (Kg)	Sigla Designation	Anello reggispinta Thrust collar
d (mm)	D (mm)	B (mm)	d1 (mm)	B1 (mm)	Dinamico Dynamic C	Statico Static C <sub>0</sub>	Lubrificazione Lubrication				
							Grasso Grease	Olivo Oil			
340	520	82	443	39.5	1058	1725	1301	1530	68	NJ 1068	HJ 1068
	520	82	443	39.5	1058	1725	1301	1530	65	NU 1068	HJ 1068
	620	165	-	-	2587	4410	1148	1350	220	NU 2268	-
360	540	82	423	39.5	1078	1793	1224	1440	67.5	NU 1072	HJ 1072
	650	170	-	-	2862	4802	1071	1260	250	NU 2272	-
380	560	82	443	39.5	1117	1891	1224	1440	73	NJ 1076	HJ 1076
	560	82	443	39.5	1117	1891	1224	1440	71	NU 1076	HJ 1076
	680	175	-	-	3881	6272	995	1170	275	NU 2276	-
400	600	90	400	43	1352	2274	1148	1350	92.5	NU 1080	HJ 1080
420	620	90	490	43	1392	2401	1071	1260	96	NU 1084	HJ 1084
440	650	94	512	45	1480	2597	995	1170	105	NU 1088	HJ 1088
460	680	100	537	48	1617	2793	918	1080	115	NU 1092	HJ 1092
	830	165	-	-	4096	6664	842	990	415	NU 1292	-
	830	212	-	-	5018	8477	842	990	530	NU 2292	-
480	700	100	557	48	1646	2940	918	1080	130	NU 1096	HJ 1096
500	720	100	577	48	1686	3038	842	990	135	NU 10/500	HJ 10/500
	920	185	-	-	5174	8330	727	855	585	NU 12/500	-
530	780	112	-	-	2244	3969	765	900	190	NU 10/530	-
	780	145	-	-	3665	7203	765	900	255	NU 20/530	-
560	680	56	-	-	781	1620	670	820	45.0	NJ 18/560	-
	820	115	648	53	2283	4165	765	900	210	NU 10/560	HJ 10/560
	820	150	-	-	3724	7497	765	900	290	NU 20/560	-
	1030	206	-	-	7066	10976	612	720	805	NU 12/560	-
600	800	90	-	-	1900	3680	500	650	130	NUP 19/600	-
	800	118	-	-	2920	6350	620	750	160	NU 29/600	-
	800	118	-	-	2920	6350	620	750	165	NUP 29/600	-
	870	118	695	55	2695	4998	689	810	245	NU 10/600	HJ 10/600
	870	200	-	-	5280	11200	500	600	410	N 30/600 K	-
	870	155	-	-	4096	7840	689	810	325	NU 20/600	-
	1090	155	-	-	5498	9604	650	765	710	NU 12/600	-
	630	780	88	-	-	1570	3610	630	750	90.0	NU 28/630
630	920	128	-	-	3342	6076	650	765	285	NU 10/630	-
	920	170	-	-	4635	9310	650	765	400	NU 20/630	-
	920	212	-	-	6440	14400	450	530	490	NU 30/630	-
	1150	230	-	-	8408	13426	536	630	1100	NU 12/630	-
670	820	69	-	-	1230	2690	550	650	84.0	NU 18/670	-
	900	103	-	-	2330	4600	530	650	195	NU 19/670	-
	980	136	-	-	3665	6664	430	500	350	NU 10/670	-
	980	180	-	-	5282	10780	430	500	480	NU 20/670	-
	980	230	-	-	6600	13800	430	500	615	NU 30/670	-
	980	230	-	-	6930	15000	430	500	605	N 30/670 K	-

**CUSCINETTI A SINGOLA CORONA DI RULLI CILINDRICI  
CYLINDRICAL ROLLER BEARINGS, SINGLE ROW**


Dimensioni (mm) Dimension (mm)					Coefficiente di carico (KN) Load rating (KN)		Velocità limite (giri/min) Speed limit (Rpm)		Peso (Kg) Weight (Kg)	Sigla Designation	Anello reggispinta Thrust collar
d (mm)	D (mm)	B (mm)	d1 (mm)	B1 (mm)	Dinamico Dynamic C	Statico Static C <sub>0</sub>	Lubrificazione Lubrication				
							Grasso Grease	Olivo Oil			
<b>710</b>	870	74	-	-	1450	3180	480	560	97.5	<b>NU 18/710</b>	-
	870	95	-	-	1940	4780	480	560	128	<b>N 28/710</b>	-
	1030	140	-	-	4586	8330	574	675	415	<b>NU 10/710</b>	-
	1030	185	-	-	5821	11760	536	630	540	<b>NU 20/710</b>	-
<b>750</b>	1090	150	-	-	4635	8624	513	603	490	<b>NU 10/750</b>	-
	1090	195	-	-	6899	14308	513	603	635	<b>NU 20/750</b>	-
<b>800</b>	1060	150	-	-	3690	8560	430	520	385	<b>NU 29/800</b>	-
	1150	200	-	-	6899	14308	482	567	715	<b>NU 20/800</b>	-
<b>850</b>	1030	106	-	-	2120	5610	420	480	190	<b>NU 28/850</b>	-
	1120	118	-	-	3050	6900	390	460	325	<b>NU 19/850</b>	-
	1120	118	-	-	2930	7000	390	460	326	<b>NJ 19/850</b>	-
	1120	155	-	-	4680	10800	350	460	435	<b>NU 29/850</b>	-
	1120	155	-	-	4680	10800	350	460	430	<b>N 29/850</b>	-
<b>900</b>	1090	85	-	-	1980	4600	370	440	170	<b>NU 18/900</b>	-
	1090	112	-	-	2700	6720	370	440	245	<b>N 28/900</b>	-
	1180	165	-	-	5120	11600	350	420	560	<b>NU 29/900</b>	-
	1180	122	-	-	4050	8700	350	420	378	<b>NU 19/900M</b>	-
<b>950</b>	1250	175	-	-	5280	12100	340	400	745	<b>NU 29/950</b>	-
<b>1000</b>	1220	100	-	-	2640	6160	310	380	265	<b>NU 18/1000</b>	-
	1320	185	-	-	6700	17000	290	350	705	<b>NU 29/1000</b>	-
<b>1060</b>	1280	128	-	-	3690	10100	350	420	360	<b>N 28/1060</b>	-
	1400	195	-	-	7200	17000	290	350	875	<b>NU 29/1060M</b>	-
	1400	250	-	-	9000	23500	250	310	1060	<b>NU 39/1060M</b>	-
<b>1120</b>	1360	140	-	-	3910	10500	270	380	465	<b>N 28/1120</b>	-
	1580	345	-	-	15700	39000	250	300	2150	<b>NU 30/1120</b>	-
<b>1180</b>	1420	106	-	-	3030	7360	170	210	350	<b>NJ 18/1180</b>	-
	1540	206	-	-	8970	21000	180	220	1010	<b>NU 29/1180</b>	-
	1540	272	-	-	11200	28200	190	250	1400	<b>N 39/1180</b>	-
<b>1250</b>	1750	290	-	-	13800	31300	165	190	2320	<b>N 20/1250</b>	-
<b>1320</b>	1600	122	-	-	3800	9380	190	250	530	<b>NU 18/1320</b>	-
	1720	230	-	-	11400	29400	180	230	1480	<b>NU 29/1320</b>	-
	1720	300	-	-	13200	33700	175	210	1950	<b>N 39/1320</b>	-
	1850	400	-	-	21200	53400	150	285	3550	<b>N 30/1320</b>	-
<b>1500</b>	1820	140	-	-	6220	17300	195	250	773	<b>NU 18/1500</b>	-
<b>1700</b>	2060	160	-	-	6950	18500	125	155	1156	<b>NU 18/1700</b>	-
<b>1900</b>	2300	175	-	-	8150	23700	90	115	1480	<b>N 18/1900</b>	-