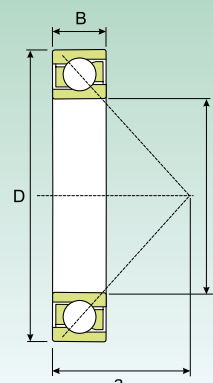
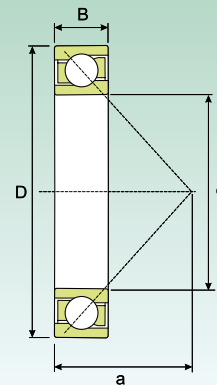


CUSCINETTI OBLIQUI AD UNA CORONA DI SFERE ANGULAR CONTACT BALL BEARINGS



Dimensioni (mm) Dimension (mm)			Coefficiente di carico (KN) Load rating (KN)		Velocità limite (giri/min) Speed limit (Rpm)		Peso (Kg) Weight (Kg)	a (mm)	Sigla Designation
d (mm)	D (mm)	B (mm)	Dinamico Dynamic C	Statico Static C ₀	Lubrificazione Lubrication				
					Grasso Grease	Olio Oil			
10	30	9	6.88	3.28	22950	27000	0.03	13	7200 B
12	32	10	7.46	3.72	19890	23400	0.036	14.4	7201 B
	37	12	10.39	4.9	18360	21600	0.063	16.3	7301 B
15	35	11	8.66	4.7	18360	21600	0.045	16	7202 B
	42	13	12.74	6.57	15300	18000	0.081	18	7302 B
17	40	12	10.88	5.98	15300	18000	0.064	18	7203 B
	47	14	15.58	8.13	14535	17100	0.11	20.4	7303 B
20	47	14	13.03	7.5	13770	16200	0.11	21	7204 B
	52	15	18.62	10.19	12240	14400	0.15	22.8	7304 B
25	52	15	15.29	10	11475	13500	0.13	23.7	7205 B
	62	17	25.48	15.29	10710	12600	0.24	26.8	7305 B
30	62	16	23.32	15.29	9945	11700	0.21	27.3	7206 B
	72	19	33.81	20.78	9180	10800	0.37	31	7306 B
35	72	17	30.09	20.38	8415	9900	0.3	31	7207 B
	80	21	38.22	24.01	7650	9000	0.49	35	7307 B
40	80	18	35.67	25.48	7650	9000	0.38	34	7208 B
	90	23	48.41	32.83	6885	8100	0.64	39	7308 B
45	85	19	36.95	27.44	6885	8100	0.43	37	7209 B
	100	25	59.29	40.67	6120	7200	0.86	43	7309 B
50	90	20	38.22	29.89	6502.5	7650	0.47	39	7210 B
	110	27	72.62	49.98	5737.5	6750	1.13	47	7310 B
55	100	21	47.82	37.24	5737.5	6750	0.62	43	7211 B
	120	29	83.5	58.8	5125.5	6030	1.48	51	7311 B
60	110	22	56.06	44.59	5355	6300	0.83	47	7212 B
	130	31	93.69	68.11	4590	5400	1.75	55	7312 B
65	120	23	64.97	52.92	4819.5	5670	1	50	7213 B
	140	33	105.84	78.4	4284	5040	2.1	60	7313 B
70	125	24	70.07	58.8	4590	5400	1.1	53	7214 B
	150	35	116.62	88.2	4054.5	4770	2.55	64	7314 B
75	130	25	71.34	62.72	4284	5040	1.18	56	7215 B
	160	37	122.5	96.04	3825	4500	3.06	68	7315 B
80	170	39	140.14	115.64	3442.5	4050	3.7	72	7316 B
85	150	28	93.69	81.34	3825	4500	1.83	63	7217 B
	180	41	143.08	109.76	3289.5	3870	4.26	76	7317 B
90	160	30	105.84	94.57	3442.5	4050	2.12	67	7218 B
	190	43	152.88	131.32	3060	3600	4.98	80	7318 B

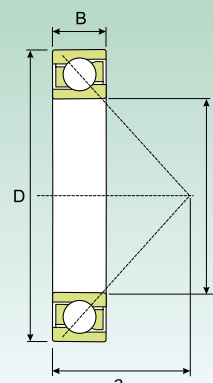
Nota: Per il montaggio di cuscinetti obliqui ad una corona di sfere accoppiati contattare il nostro servizio tecnico
Note: To use angular contact ball bearing twin, please contact our technical dept.

**CUSCINETTI OBLIQUI AD UNA CORONA DI SFERE
ANGULAR CONTACT BALL BEARINGS**


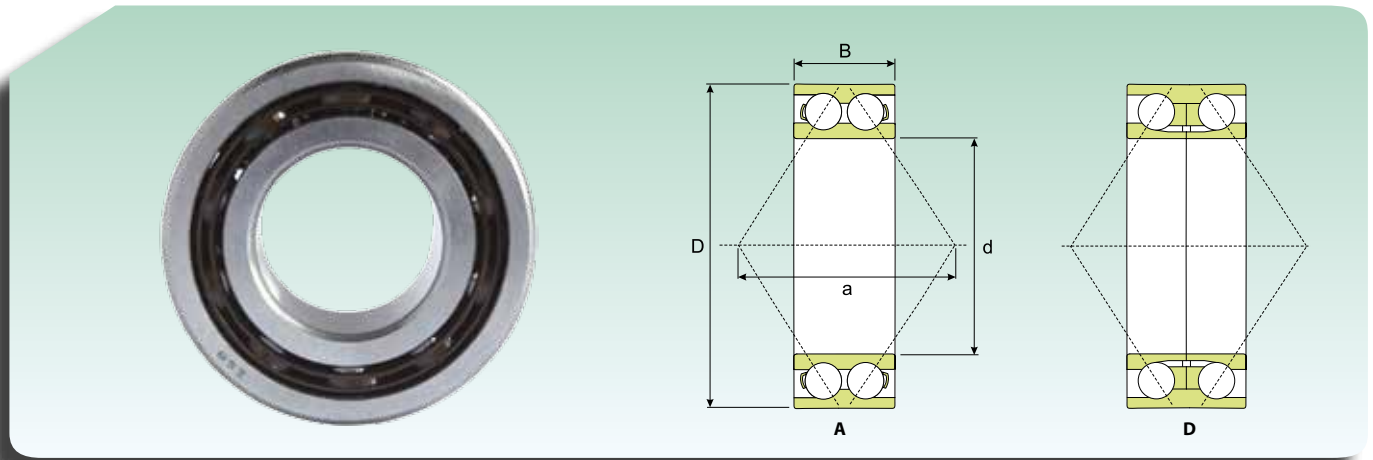
Dimensioni (mm) Dimension (mm)			Coefficiente di carico (KN) Load rating (KN)		Velocità limite (giri/min) Speed limit (Rpm)		Peso (Kg) Weight (Kg)	a (mm)	Sigla Designation
d (mm)	D (mm)	B (mm)	Dinamico Dynamic C	Statico Static C ₀	Lubrificazione Lubrication				
					Grasso Grease	Olio Oil			
95	170	32	121.52	105.84	3289.5	3870	2.68	72	7219 B
	200	45	164.64	147	2907	3420	5.77	84	7319 B
100	180	34	132.3	119.56	3060	3600	3.38	76	7220 B
	215	47	198.94	186.2	2754	3240	7.15	90	7320 B
105	190	36	143	102	2800	3400	4.10	80	7221 B
	225	49	203	163	2700	3050	8.80	94	7321 B
110	200	38	149.94	140.14	2907	3420	4.95	84	7222 B
	240	50	220.5	219.52	2448	2880	9.69	99	7322 B
120	180	28	87.1	69.5	2950	3100	2.40	77	1024 B
	215	40	161.7	159.74	2754	3240	5.89	90	7224 B
	260	55	238	208	2650	3100	14.5	107	7324 B
130	230	40	182.28	189.14	2601	3060	6.76	96	7226 B
	280	58	290.08	298.9	2142	2520	17.1	115	7326 B
140	210	33	111	91.5	2230	2600	3.80	90	7028 B
	250	42	195.02	207.76	2295	2700	8.83	103	7228 B
	300	62	276	255	2100	2550	21.5	123	7328 B
150	225	35	119	98	1800	2300	4.7	96	7030 B
	270	45	195	170	1850	2300	11.0	112	7230 B
	320	65	302	300	1720	2150	25.5	132	7330 B
160	290	48	199	180	1900	2600	13.5	119	7232 B
170	260	42	159	140	2000	2600	7.80	129	7034 B
	310	52	221	208	1900	2500	17.0	127	7234 B
	360	72	358	375	1400	2000	36.0	147	7334 B
180	280	46	195	180	1650	2200	10.9	119	7036 B
	320	52	251	245	2700	3200	17.5	131	7236 B
	380	75	371	400	1300	3800	42.0	156	7336 B
190	290	46	199	186	1800	2400	10.5	124	7038 B
	340	55	276	270	9500	2000	22.0	139	7238 B
	400	78	410	455	1150	1600	48.5	164	7338 B
200	310	51	225	220	1700	2200	13.5	132	7040 B
220	340	56	255	265	1400	1900	18.0	145	7044 B
	400	65	319	355	1200	1600	37.0	164	7244 B
240	360	56	260	275	1150	1600	19.0	154	7048 B
	440	72	365	415	1100	1500	50.0	180	7248 B
260	360	46	242	260	900	1400	13.5	113	71952 A
280	380	46	251	280	800	1300	15.0	119	71956 A
	420	65	351	415	900	1300	30.0	134	7056 A
	420	65	319	365	870	1280	30.0	179	7056 B
	500	80	442	550	800	1200	69.5	205	7256 B

Nota: Per il montaggio di cuscinetti obliqui ad una corona di sfere accoppiati contattate il nostro servizio tecnico
 Note: To use angular contact ball bearing twin, please contact our technical dept.

CUSCINETTI OBLIQUI AD UNA CORONA DI SFERE ANGULAR CONTACT BALL BEARINGS

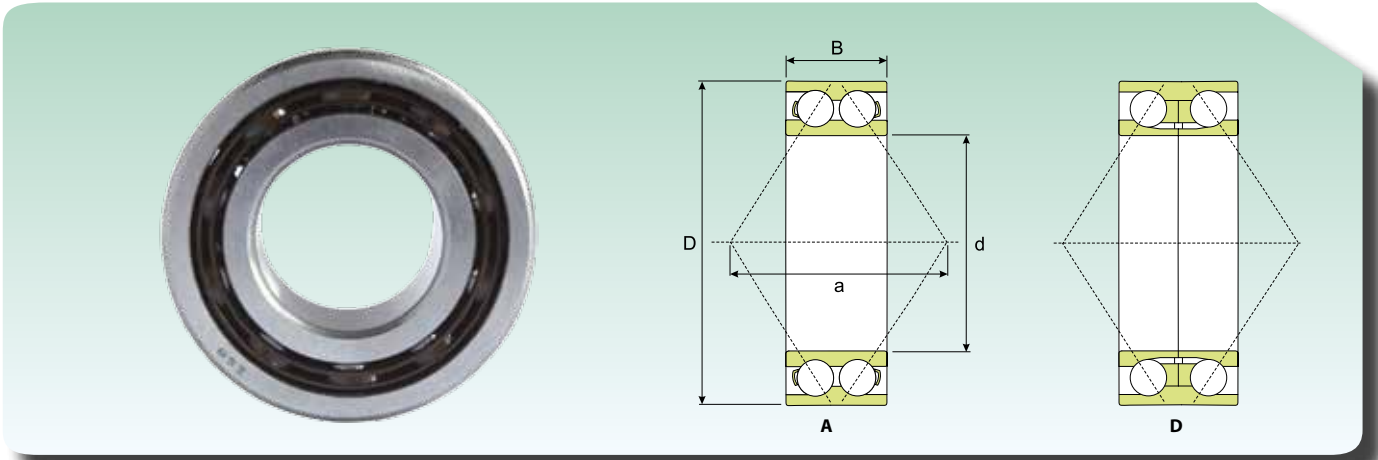


Dimensioni (mm) Dimension (mm)			Coefficiente di carico (KN) Load rating (KN)		Velocità limite (giri/min) Speed limit (Rpm)		Peso (Kg) Weight (Kg)	a (mm)	Sigla Designation
d (mm)	D (mm)	B (mm)	Dinamico Dynamic C	Statico Static C ₀	Lubrificazione Lubrication				
					Grasso Grease	Olio Oil			
300	460	74	423	530	950	1300	42.5	147	7060 A
	460	74	377	465	900	1200	42.5	196	7060 B
320	480	74	436	550	700	1100	44.5	153	7064 A
340	520	82	449	600	800	1100	61.5	223	7068 B
	620	92	715	1080	700	1000	126	248	7268 B
360	480	56	302	390	800	1200	28.5	205	71972 B
	540	82	520	710	600	900	62.5	171	7072 A
	650	95	650	950	700	1000	145	261	7272 B
380	480	31	199	280	340	860	10.0	140	70876 A
	520	65	397	540	500	900	41.5	163	71976 A
400	720	103	728	1120	710	950	190	288	7280 B
420	560	65	364	510	810	1100	239	44.5	71984 B
	620	90	540	780	710	960	263	88.5	7084 B
460	580	37	265	390	760	1000	170	24.5	70892 A
	680	100	689	1080	610	800	215	120	7092 A
500	620	37	276	425	600	800	181	27.0	708/500 A
530	780	112	702	1200	550	740	332	180	70/530 B
560	680	56	397	655	680	810	208	41.5	718/560 A
	750	85	592	980	550	740	210	135	719/560 A
600	730	42	338	585	560	740	212	38.5	708/600 A
	870	118	884	1600	510	710	273	235	70/600 A
670	980	136	1210	2400	470	630	308	340	70/670 A
710	950	106	832	1830	810	1120	247	215	719/710 AC
750	920	78	618	1200	400	530	281	110	718/750 A

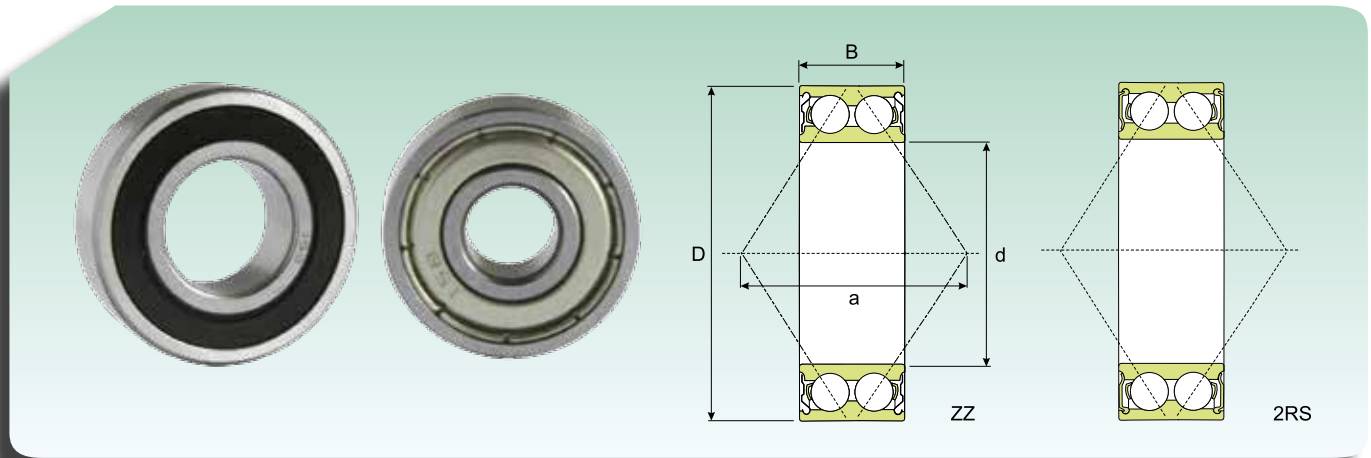
**CUSCINETTI OBLIQUI A DUE CORONE DI SFERE
ANGULAR CONTACT BALL BEARINGS, DOUBLE ROW**


Dimensioni (mm) Dimension (mm)			Coefficiente di carico (KN) Load rating (KN)		Velocità limite (giri/min) Speed limit (Rpm)		Peso (Kg) Weight (Kg)	a (mm)	Sigla Designation	
d (mm)	D (mm)	B (mm)	Dinamico Dynamic C	Statico Static C ₀	Lubrificazione Lubrication				Gabbia metallica Metallic cage	Gabbia in poliammide Polyamide cage
					Grasso Grease	Olio Oil				
10	30	14	7.5	4.21	18360	21600	0.051	16	-	3200 ATN9
12	32	15.9	9.9	5.49	16830	19800	0.058	19	-	3201 ATN9
15	35	15.9	11	6.66	13770	16200	0.066	21	-	3202 ATN9
	42	19	14.8	9.11	12240	14400	0.13	24	-	3302 ATN9
17	40	17.5	14	8.62	12240	14400	0.095	23	-	3203 ATN9
	47	22.2	21.2	12.45	10710	12600	0.18	28	-	3303 ATN9
20	47	20.6	19.6	11.76	10710	12600	0.16	28	3204 A	3204 ATN9
	52	22.2	23.1	14.31	9945	11700	0.22	30	3304 A	3304 ATN9
25	52	20.6	21.2	14.01	9180	10800	0.19	30	3205 A	3205 ATN9
	62	25.4	31.4	19.99	8415	9900	0.35	36	3305 A	3305 ATN9
30	62	23.8	29.4	19.99	7650	9000	0.29	36	3206 A	3206 ATN9
	72	30.2	40.7	26.95	6885	8100	0.53	42	3306 A	3306 ATN9
35	72	27	39.2	27.44	6885	8100	0.44	42	3207 A	3207 ATN9
	80	34.9	51	34.79	6505	7650	0.71	47	3307 A	3307 ATN9
40	80	30.2	46.6	33.32	6120	7200	0.58	46	3208 A	3208 ATN9
	90	36.5	62.7	43.12	5740	6750	1.05	53	3308 A	3308 ATN9
	90	36.5	67.5	62.70	5695	6700	1.05	84	3308D	3308 DTN9
45	85	30.2	50	38.22	5740	6750	0.64	49	3209 A	3209 ATN9
	100	39.7	73.5	51.94	5130	6030	1.4	58	3309 A	3309 ATN9
	100	39.7	77.7	68.11	4590	5400	1.6	93	3309 D	-
50	90	30.2	50	38.22	5355	6300	0.66	52	3210 D	3210 ATN9
	110	44.4	88.2	62.72	4590	5400	1.95	65	3310 A	3310 ATN9
	110	44.4	91.7	83.30	4284	5040	2.15	102	3310 D	-
55	100	33.3	58.8	46.55	4820	5670	1.05	57	3211 A	3211 ATN9
	120	49.2	109.8	79.87	4055	4770	2.55	72	3311 A	3311 ATN9
	120	49.2	108.8	108	3825	4500	2.8	114	3311 D	-
60	110	36.5	72	57.33	4284	5040	1.4	63	3212 A	3212 ATN9
	130	54	124.5	93.10	3825	4500	3.25	78	3312 A	-
65	120	38.1	79	72.03	3672	4320	1.75	71	3213 A	-
	140	58.7	143.1	107.80	3445	4050	4.1	84	3313 A	-
70	125	39.7	86.6	78.40	3445	4050	1.9	74	3214 A	-
	150	63.5	159.7	122.50	3290	3870	5.05	89	3314 A	-
75	130	41.3	93.7	86.24	3445	4050	2.1	77	3215 A	-
	160	68.3	172.5	137.20	3060	3600	5.55	97	3315 A	-
80	140	44.4	103.9	93.10	3290	3870	2.65	82	3216 A	-
	170	68.3	178.4	152.88	2754	3240	6.8	101	3316 A	-
	170	68.3	186.2	192.00	2754	3240	7.55	158	3316 D	-

CUSCINETTI OBLIQUI A DUE CORONE DI SFERE
ANGULAR CONTACT BALL BEARINGS, DOUBLE ROW



Dimensioni (mm) Dimension (mm)			Coefficiente di carico (KN) Load rating (KN)		Velocità limite (giri/min) Speed limit (Rpm)		Peso (Kg) Weight (Kg)	a (mm)	Sigla Designation	
d (mm)	D (mm)	B (mm)	Dinamico Dynamic C	Statico Static C ₀	Lubrificazione Lubrication				Gabbia metallica Metallic cage	Gabbia in poliammide Polyamide cage
					Grasso Grease	Olio Oil				
85	150	49.2	121.5	107.80	2907	3420	3.4	88	3217 A	-
	180	73	191.1	172.48	2601	3060	8.3	107	3317 A	-
90	160	52.4	127.4	117.60	2754	3240	4.15	94	3218 A	-
	190	73	191.1	176.40	2448	2880	9.25	112	3318 A	-
	190	73	220.5	245	2448	2880	10	178	3318 D	-
95	170	55.6	155.8	143.08	2601	3060	5	101	3219 A	-
	200	77.8	220.5	211.68	2295	2700	11	118	3319 A	-
	200	77.8	237.2	269.50	2295	2700	12	189	3319 D	-
100	180	60.3	157	173	2320	2780	6.1	118	3220	-
	180	60.3	174.4	162.68	2448	2880	6.1	107	3220 A	-
	215	82.6	255	290	2300	2700	13.5	139	3320	-
	215	82.6	260	245	2220	2600	15.5	199	3320 D	-
	215	82.6	249.9	249.90	2142	2520	13.5	127	3320 A	-
105	190	65.1	168	186	2120	2450	7.4	124	3221	-
110	200	69.8	207.8	207.76	2142	2520	8.8	119	3222 A	-
	240	92.1	307	300	2080	2400	21.5	217	3322 D	-
	240	92.1	285.2	298.90	1989	2340	19	142	3322 A	-
120	260	106	314	390	-	-	27	243	3324	-

**CUSCINETTI OBLIQUI A DUE CORONE DI SFERE, SCHERMATI
ANGULAR CONTACT BALL BEARINGS, DOUBLE ROW - SEALED**


Dimensioni (mm) Dimension (mm)			Coefficiente di carico (KN) Load rating (KN)		Velocità limite (giri/min) Speed limit (Rpm)		Peso (Kg) Weight (Kg)	a (mm)	Sigla Designation	
d (mm)	D (mm)	B (mm)	Dinamico Dynamic C	Statico Static C ₀	Lubrificazione Lubrication				Con schermi With shield	Con guarnizioni With seal
					ZZ	2RS				
10	30	14	7.46	4.2	22800	16150	0.051	16	3200-ZZ	3200-2RS
12	32	15.9	9.90	5.49	20900	14250	0.058	19	3201-ZZ	3201-2RS
15	35	15.9	10.98	6.66	17100	13300	0.066	21	3202-ZZ	3202-2RS
	42	19	14.80	9.11	15200	11400	0.13	24	3302-ZZ	3302-2RS
17	40	17.5	14.01	8.62	15200	11400	0.1	23	3203-ZZ	3203-2RS
	47	22.2	21.17	12.45	13300	10450	0.18	28	3303-ZZ	3303-2RS
20	47	20.6	19.60	11.76	13300	9500	0.15	28	3204-ZZ	3204-2RS
	52	22.2	23.13	14.31	12350	8550	0.21	30	3304-ZZ	3304-2RS
25	52	20.6	21.17	14.01	11400	8075	0.18	30	3205-ZZ	3205-2RS
	62	25.4	31.36	19.99	10450	7125	0.35	36	3305-ZZ	3305-2RS
30	62	23.8	29.40	19.99	9500	7125	0.27	36	3206-ZZ	3206-2RS
	72	30.2	40.67	26.95	8550	5985	0.52	42	3306-ZZ	3306-2RS
35	72	27	39.20	27.44	8550	5985	0.44	42	3207-ZZ	3207-2RS
	80	34.9	50.96	34.79	8075	5700	0.73	47	3307-ZZ	3307-2RS
40	80	30.2	46.55	33.32	7600	5320	0.57	46	3208-ZZ	3208-2RS
	90	36.5	62.72	43.12	7125	4750	0.93	53	3308-ZZ	3308-2RS
45	85	30.2	49.98	38.22	7125	5035	0.63	49	3209-ZZ	3209-2RS
	100	39.7	73.50	51.94	6365	4560	1.4	58	3309-ZZ	3309-2RS
50	90	30.2	49.98	38.22	6650	4560	0.65	57	3210-ZZ	3210-2RS
	110	44.4	88.20	62.72	5700	4085	1.95	61	3310-ZZ	3310-2RS
55	100	33.3	58.80	46.55	5985	4275	1.05	63	3211-ZZ	3211-2RS
	120	49.2	109.76	79.87	5035	3610	2.55	66	3311-ZZ	3311-2RS
60	110	36.5	72.03	57.33	5320	3800	1.4	63	3212-ZZ	3212-2RS
	130	54	124.46	93.10	4750	-	3.25	78	3312-ZZ	-
65	120	38.1	78.99	72.03	4560	-	1.75	71	3213-ZZ	3213-2RS
	140	58.7	143.08	107.80	4275	-	4.1	84	3313-ZZ	3313-2RS
70	125	39.7	86.63	78.4	4275	-	1.9	74	3214-ZZ	3214-2RS
	150	63.5	159.74	122.5	4085	-	5.05	89	3314-ZZ	3314-2RS
75	130	41.3	93.69	86.24	4275	-	2.1	77	3215-ZZ	3215-2RS
	160	68.3	172.48	137.20	3800	-	5.6	97	3315-ZZ	3315-2RS
80	140	44.4	98.8	131.32	3800	-	2.65	91	3216-ZZ	3216-2RS
	170	68.3	172.48	207.76	3400	-	6.95	112	3316-ZZ	3316-2RS
85	150	49.2	109	143	3600	-	3.4	97	3217-ZZ	3217-2RS
90	160	52.4	125	169	3400	-	4.15	104	3218-ZZ	3218-2RS
95	170	55.6	144	200	3200	-	5	111	3219-ZZ	3219-2RS
100	180	60.3	155	215	3000	-	6.1	118	3220-ZZ	3220-2RS