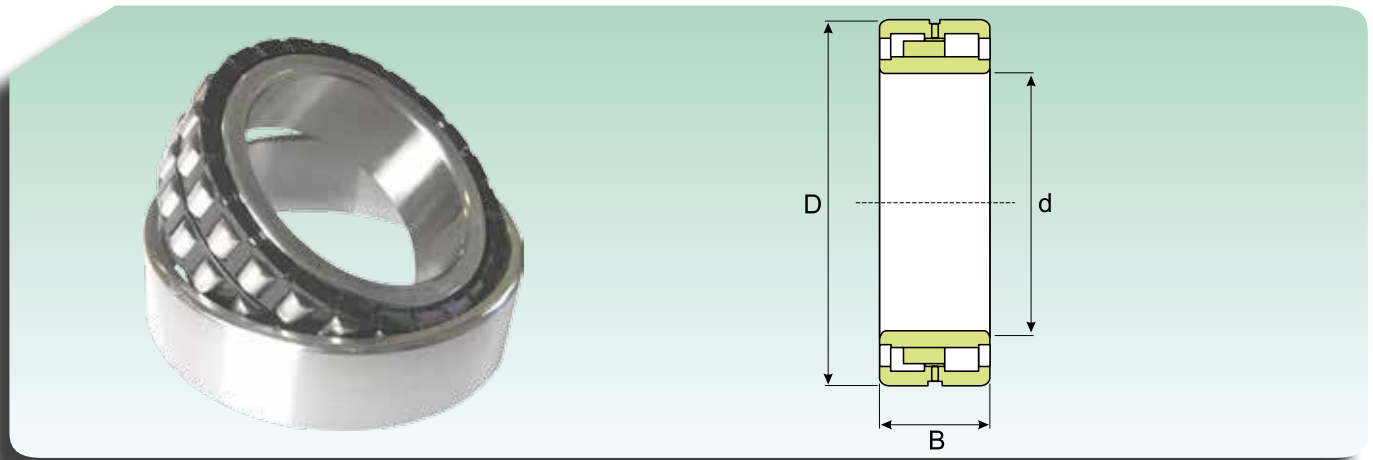
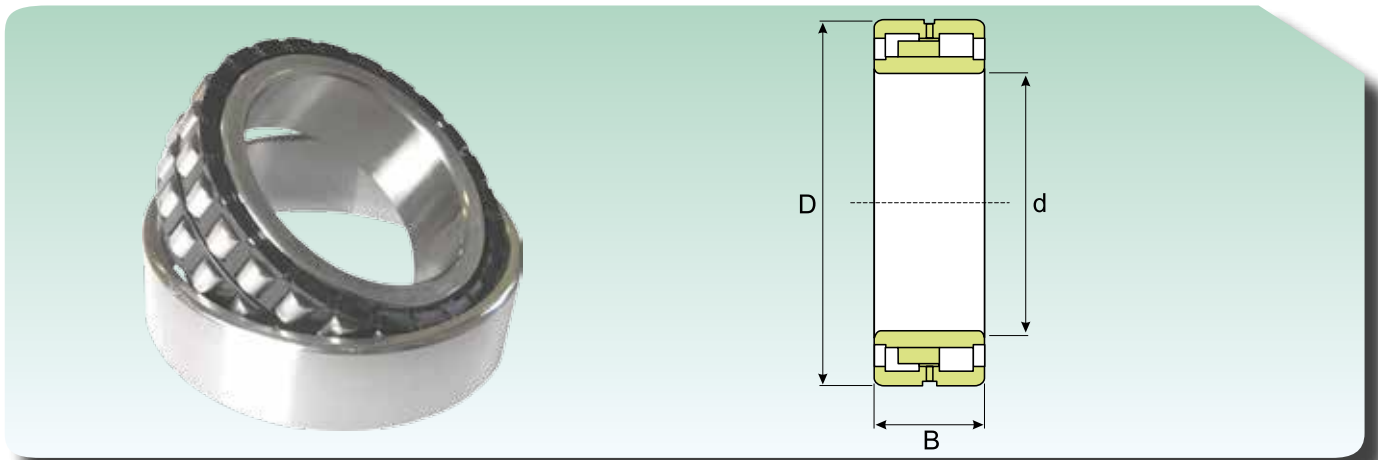


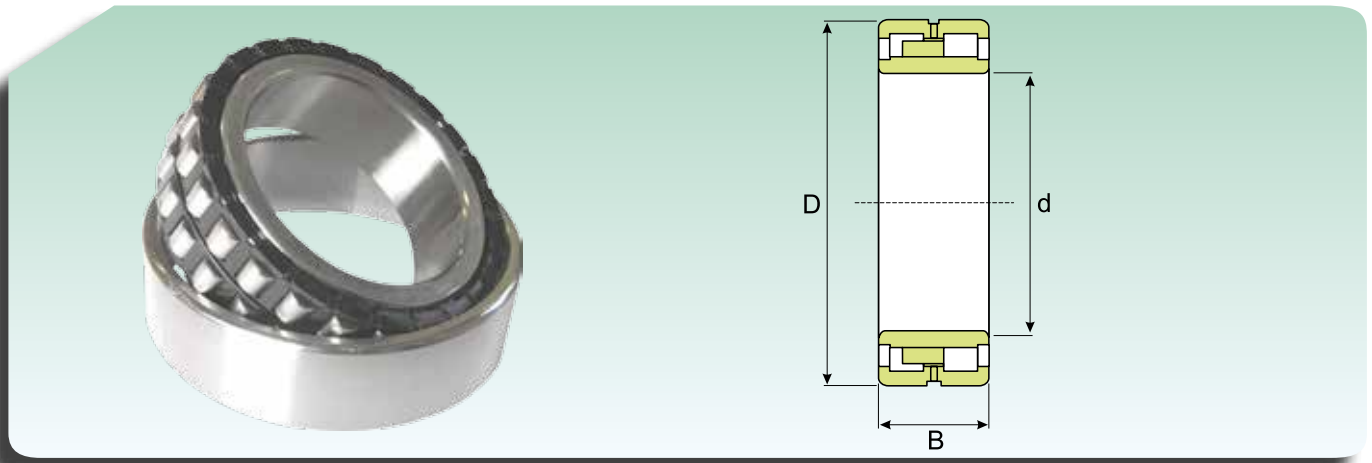
**CUSCINETTI A RULLI CLINDRICI, A DUE CORONE
CYLINDRICAL ROLLER BEARINGS, DOUBLE ROW**


Dimensioni (mm) Dimension (mm)			Coefficiente di carico (KN) Load rating (KN)		Velocità limite (giri/min) Speed limit (Rpm)		Peso (Kg) Weight (Kg)	Sigla Designation
d (mm)	D (mm)	B (mm)	Dinamico C	Statico C ₀	Lubrificazione Lubrication			
					Grasso Grease	Olio Oil		
105	175	69	404.74	656.6	3870	4085	6,7	NUU 4121 K30M/W33
	175	69	404.74	656.6	3870	4085	6,7	NUU 4121 M/W33
110	180	69	409.64	695.8	3870	4085	6,95	NUU 4122 K30M/W33
	180	69	409.64	695.8	3870	4085	6,95	NUU 4122 M/W33
120	200	80	512.54	847.7	3420	3610	11	NUU 4124 K30M/W33
	200	80	512.54	847.7	3420	3610	11	NUU 4124 M/W33
130	210	80	549.78	945.7	3240	3420	10,7	NUU 4126 K30M/W33
	210	80	549.78	945.7	3240	3420	10,7	NUU 4126 M/W33
140	225	85	614.46	1019.2	3060	3230	13	NUU 4128 K30M/W33
	225	85	614.46	1019.2	3060	3230	13	NUU 4128 M/W33
150	250	100	733.04	1264.2	2700	2850	18	NUU 4130 K30M/W33
	250	100	733.04	1264.2	2700	2850	18	NUU 4130 M/W33
160	270	109	916.3	1499.4	2520	2660	25	NUU 4132 K30M/W33
	270	109	916.3	1499.4	2520	2660	25	NUU 4132 M/W33
170	280	109	948.64	1597.4	2340	2470	26	NUU 4134 K30M/W33
	280	109	948.64	1597.4	2340	2470	26	NUU 4134 M/W33
180	300	118	1058.4	1793.4	2160	2280	32,5	NUU 4136 K30M/W33
	300	118	1058.4	1793.4	2160	2280	32,5	NUU 4136 M/W33
190	320	128	1293.6	2156	2160	2280	41	NUU 4138 K30M/W33
	320	128	1293.6	2156	2160	2280	41	NUU 4138 M/W33
200	250	50	237.16	588	2340	2470	5,75	NUU 4840 K/W33
	250	50	237.16	588	2340	2470	5,75	NUU 4840/W33
	340	140	1440.6	2499	1980	2090	51	NUU 4140 K30M/W33
	340	140	1440.6	2499	1980	2090	51	NUU 4140 M/W33
220	370	150	1617	2842	1800	1900	65	NUU 4144 K30M/W33
	370	150	1617	2842	1800	1900	65	NUU 4144 M/W33
240	300	60	350.84	911.4	2160	2280	9,9	NUU 4848 K/W33
	300	60	350.84	911.4	2160	2280	9,9	NUU 4848/W33
	400	160	1940.4	3577	1620	1710	85	NUU 4148 K30M/W33
	400	160	1940.4	3577	1620	1710	85	NUU 4148 M/W33
260	400	140	1617	3087	1620	1710	63,5	NUU 4052 KM/W33
	400	140	1617	3087	1620	1710	63,5	NUU 4052 M/W33
	440	180	2156	3822	1440	1520	110	NUU 4152 K30M/W33
	440	180	2156	3822	1440	1520	110	NUU 4152 M/W33
280	350	69	447.86	1176	1710	1805	15,5	NUU 4856 K/W33
	350	69	447.86	1176	1710	1805	15,5	NUU 4856/W33
	420	140	1617	3087	1530	1615	66,5	NUU 4056 KM/W33
	420	140	1617	3087	1530	1615	66,5	NUU 4056 M/W33
	460	180	2499	4655	1350	1425	120	NUU 4156 K30M/W33
	460	180	2499	4655	1350	1425	120	NUU 4156 M/W33

CUSCINETTI A RULLI CLINIDRICI, A DUE CORONE
CYLINDRICAL ROLLER BEARINGS, DOUBLE ROW

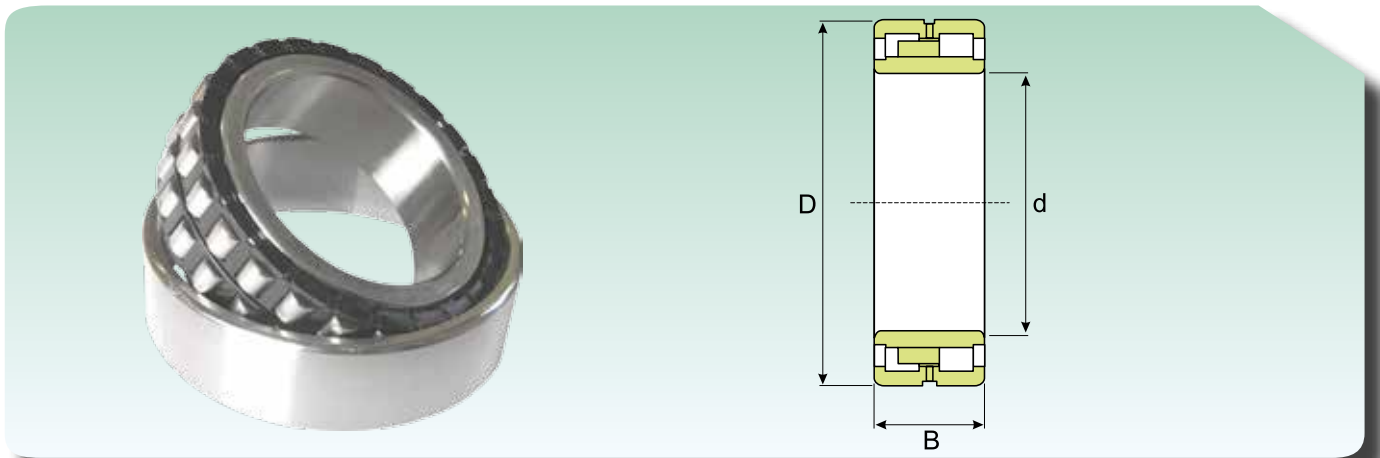


Dimensioni (mm) Dimension (mm)			Coefficiente di carico (KN) Load rating (KN)		Velocità limite (giri/min) Speed limit (Rpm)		Peso (Kg) Weight (Kg)	Sigla Designation
d (mm)	D (mm)	B (mm)	Dinamico C	Statico C ₀	Lubrificazione Lubrication			
					Grasso Grease	Olio Oil		
300	380	80	776.16	2077.6	1530	1615	22	NNU 4860 K/W33
	380	80	776.16	2077.6	1530	1615	22	NNU 4860/W33
	460	160	1969.8	3920	1350	1425	96	NNU 4060 KM/W33
	460	160	1969.8	3920	1350	1425	96	NNU 4060 M/W33
	500	200	2802.8	5194	1260	1330	155	NNU 4160 K30M/W33
	500	200	2802.8	5194	1260	1330	155	NNU 4160 M/W33
320	400	80	749.7	2038.4	1440	1520	23,5	NNU 4864 K/W33
	400	80	749.7	2038.4	1440	1520	23,5	NNU 4864/W33
	480	160	2077.6	4214	1260	1330	100	NNU 4064 KM/W33
	480	160	2077.6	4214	1260	1330	100	NNU 4064 M/W33
	540	218	3341.8	6076	1170	1235	200	NNU 4164
	540	218	3341.8	6076	1170	1235	200	NNU 4164 K30
340	420	80	631.12	1793.4	1350	1425	25	NNU 4868 K/W33
	420	80	631.12	1793.4	1350	1425	25	NNU 4868/W33
	520	180	2499	4998	1170	1235	140	NNU 4068 KM/W33
	520	180	2499	4998	1170	1235	140	NNU 4068 M/W33
	580	243	3939.6	7350	1080	1140	260	NNU 4168 K30M/W33
	580	243	3939.6	7350	1080	1140	260	NNU 4168 M/W33
360	540	180	2753.8	5586	1080	1140	142	NNU 4072 KM/W33
	540	180	2753.8	5586	1080	1140	142	NNU 4072 M/W33
	600	243	4204.2	8330	990	1045	275	NNU 4172 K30M
	600	243	4204.2	8330	990	1045	275	NNU 4172 M
380	480	100	932.96	2499	1170	1235	44	NNU 4876 K/W33
	480	100	932.96	2499	1170	1235	44	NNU 4876/W33
	560	180	2802.8	5880	1080	1140	150	NNU 4076 KM/W33
	560	180	2802.8	5880	1080	1140	150	NNU 4076 M/W33
	620	243	4204.2	8330	990	1045	285	NNU 4176 K30M
	620	243	4204.2	8330	990	1045	285	NNU 4176 M
400	500	100	948.64	2695	1080	1140	46	NNU 4880 K/W33
	500	100	948.64	2695	1080	1140	46	NNU 4880/W33
	600	200	3400.6	7056	990	1045	205	NNU 4080 W33
	600	200	3400.6	7056	990	1045	205	NNU 4080 K/W33
	650	250	4635.4	9310	900	950	325	NNU 4180 K30M/W33
	650	250	4635.4	9310	900	950	325	NNU 4180 M/W33
420	520	100	970.2	2793	1080	1140	48	NNU 4884 K/W33
	520	100	970.2	2793	1080	1140	48	NNU 4884/W33
	620	200	3449.6	7350	855	902,5	183	NNU 4084 KM/W33
	620	200	3449.6	7350	855	902,5	183	NNU 4084 M/W33
	700	280	5390	11172	855	902,5	440	NNU 4184/316275
440	540	100	989.8	2842	990	1045	50	NNU 4888 K/W33
	540	100	989.8	2842	990	1045	50	NNU 4888/W33
	650	212	3831.8	8134	855	902,5	215	NNU 4088 KM/W33
	650	212	3831.8	8134	855	902,5	215	NNU 4088 M/W33
	720	280	5605.6	11564	810	855	450	NNU 4188 K30M/W33
	720	280	5605.6	11564	810	855	450	NNU 4188 M/W33

**CUSCINETTI A RULLI CLINDRICI, A DUE CORONE
CYLINDRICAL ROLLER BEARINGS, DOUBLE ROW**


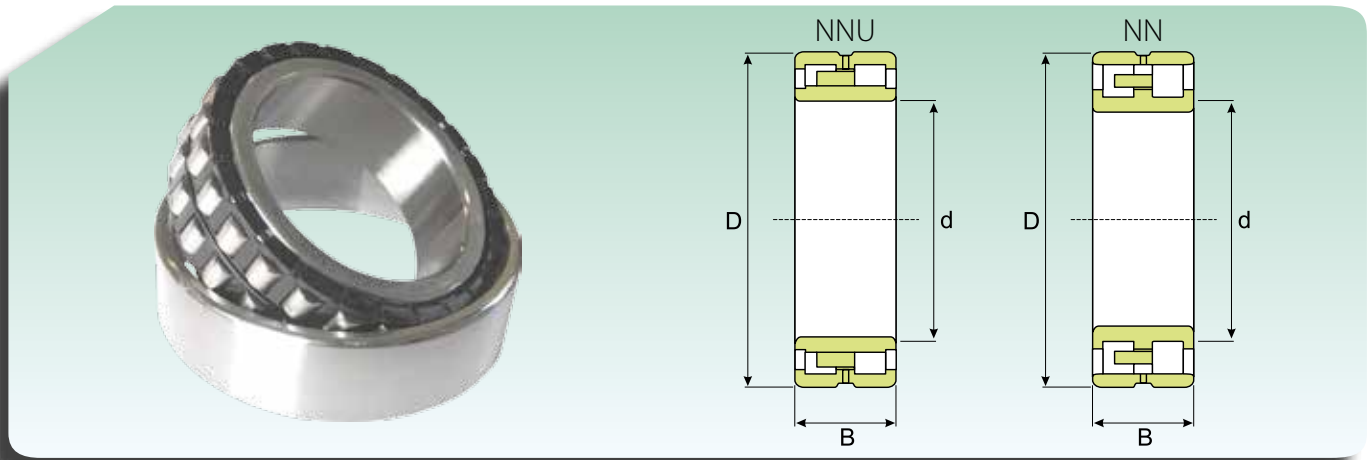
Dimensioni (mm) Dimension (mm)			Coefficiente di carico (KN) Load rating (KN)		Velocità limite (giri/min) Speed limit (Rpm)		Peso (Kg) Weight (Kg)	Sigla Designation
d (mm)	D (mm)	B (mm)	Dinamico C	Statico C ₀	Lubrificazione Lubrication			
					Grasso Grease	Olio Oil		
460	580	118	1166.2	3185	990	1045	75	NNU 4892 K/W33
	580	118	1166.2	3185	990	1045	75	NNU 4892/W33
	680	218	4204.2	9114	855	902,5	240	NNU 4092 KM/W33
	680	218	4204.2	9114	855	902,5	240	NNU 4092 M/W33
	760	300	6311.2	12642	765	807,5	535	NNU 4192 K30M
	760	300	6311.2	12642	765	807,5	535	NNU 4192 M
480	700	218	4312	9457	810	855	275	NNU 4096 KM/W33
	700	218	4312	9457	810	855	275	NNU 4096 M/W33
	790	308	6899.2	14014	720	760	590	NNU 4196 K30M/W33
	790	308	6899.2	14014	720	760	590	NNU 4196 M/W33
500	720	218	4370.8	9800	765	807,5	287	NNU 40/500 KM/W33
	720	218	4370.8	9800	765	807,5	287	NNU 40/500 M/W33
	830	325	7330.4	14700	720	760	710	NNU 41/500 K30M/W33
	830	325	7330.4	14700	720	760	710	NNU 41/500 M/W33
530	780	250	5390	11956	720	760	420	NNU 40/530 KM/W33
	780	250	5390	11956	720	760	420	NNU 40/530 M/W33
	870	335	7653.8	15680	675	712,5	790	NNU 41/530 K30M/W33
	870	335	7653.8	15680	675	712,5	790	NNU 41/530 M/W33
560	820	258	5605.6	12642	675	712,5	475	NNU 40/560 KM/W33
	820	258	5605.6	12642	675	712,5	475	NNU 40/560 M/W33
	920	355	8624	17934	603	636,5	930	NNU 41/560 K30M/W33X
	920	355	8624	17934	603	636,5	930	NNU 41/560 M/W33
600	870	272	6683.6	15288	630	665	530	NNU 40/600 KM/W33
	870	272	6683.6	15288	630	665	530	NNU 40/600 M/W33
	980	375	9702	20776	567	598,5	1100	NNU 41/600 K30M/W33
	980	375	9702	20776	567	598,5	1100	NNU 41/600 M/W33
630	920	290	7497	17248	567	598,5	635	NNU 40/630 KM/W33
	920	290	7497	17248	567	598,5	635	NNU 40/630 M/W33
	1030	400	10780	23520	540	570	1330	NNU 41/630 K30M/W33
	1030	400	10780	23520	540	570	1330	NNU 41/630 M/W33
670	980	308	8251.6	19208	540	570	765	NNU 40/670 KM/W33
	980	308	8251.6	19208	540	570	765	NNU 40/670 M/W33
	1090	412	11858	24990	477	503,5	1500	NNU 41/670 K30M/W33
	1090	412	11858	24990	477	503,5	1500	NNU 41/670 M/W33
710	1030	315	9163	21168	504	532	850	NNU 40/710 KM/W33
	1030	315	9163	21168	504	532	850	NNU 40/710 M/W33
	1150	438	13132	27930	450	475	1790	NNU 41/710 K30M/W33
	1150	438	13132	27930	450	475	1790	NNU 41/710 M/W33
750	920	170	3616.2	9996	540	570	240	NN 48/750 K30/H1W33
	920	170	3616.2	9996	540	570	240	NN 48/750/H1W33
	1090	335	9996	23520	450	475	925	NNU 40/750 KM/W33
	1090	335	9996	23520	450	475	925	NNU 40/750 M/W33
	1220	475	15778	34790	405	427,5	2230	NNU 41/750 K30M/W33
	1220	475	15778	34790	405	427,5	2230	NNU 41/750 M/W33

CUSCINETTI A RULLI CLINIDRICI, A DUE CORONE
CYLINDRICAL ROLLER BEARINGS, DOUBLE ROW



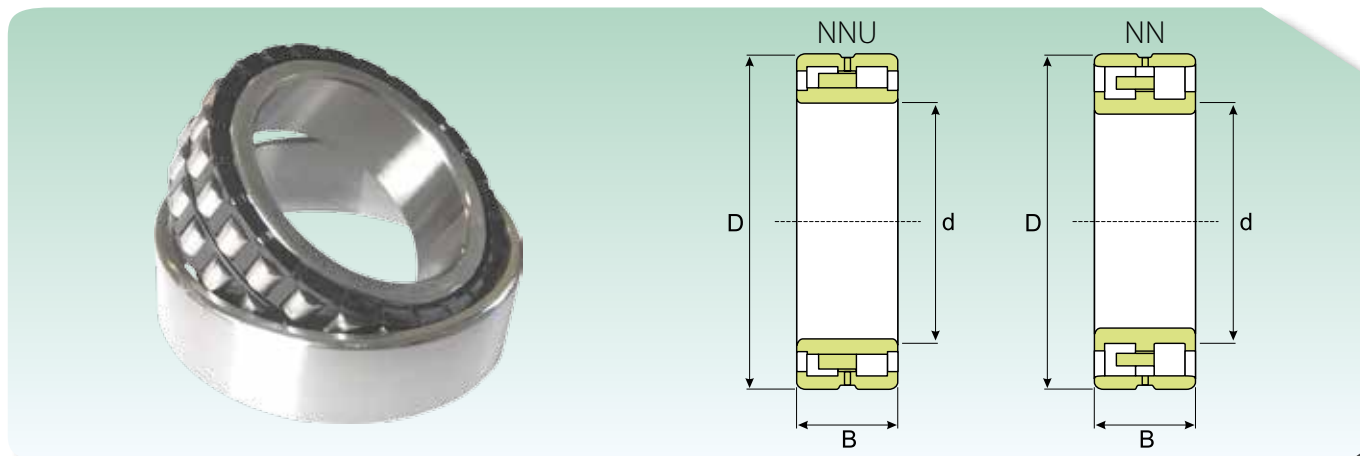
Dimensioni (mm) Dimension (mm)			Coefficiente di carico (KN) Load rating (KN)		Velocità limite (giri/min) Speed limit (Rpm)		Peso (Kg) Weight (Kg)	Sigla Designation
d (mm)	D (mm)	B (mm)	Dinamico C	Statico C ₀	Lubrificazione Lubrication			
					Grasso Grease	Olio Oil		
800	1150	345	10584	25480	432	456	1140	NNU 40/800 KM/W33
	1150	345	10584	25480	432	456	1140	NNU 40/800 M/W33
	1280	475	16170	35770	387	408,5	2390	NNU 41/800 K30M/W33
	1280	475	16170	35770	387	408,5	2390	NNU 41/800 M/W33
850	1220	365	11466	27930	387	408,5	1340	NNU 40/850 KM/W33
	1220	365	11466	27930	387	408,5	1340	NNU 40/850 M/W33
	1360	500	19404	44100	360	380	2900	NNU 41/850 K30M/W33
	1360	500	19404	44100	360	380	2900	NNU 41/850 M/W33
900	1280	375	12544	30870	360	380	1500	NNU 40/900 KM/W33
	1280	375	12544	30870	360	380	1500	NNU 40/900 M/W33
	1420	515	21560	46550	324	342	3180	NNU 41/900 K30M/W33
	1420	515	21560	46550	324	342	3180	NNU 41/900 M/W33
950	1360	412	13916	34790	342	361	1900	NNU 40/950 KM/W33
	1360	412	13916	34790	342	361	1900	NNU 40/950 M/W33
	1500	545	24990	55860	306	323	3830	NNU 41/950 K30M/W33
	1500	545	24990	55860	306	323	3830	NNU 41/950 M/W33
1000	1320	315	8408.4	25480	360	380	1200	NN 49/1000 K/W33X
	1320	315	8408.4	25480	360	380	1200	NN 49/1000 W33X
	1420	412	15092	37240	306	323	2000	NNU 40/1000 KM/W33
	1420	412	15092	37240	306	323	2000	NNU 40/1000 M/W33
	1580	580	26950	60760	270	285	4270	NNU 41/1000 K30M/W33
	1580	580	26950	60760	270	285	4270	NNU 41/1000 M/W33
1060	1660	600	29694	68110	252	266	5070	NNU 41/1060 K30M/W33
	1660	600	29694	68110	252	266	5070	NNU 41/1060 M/W33
1120	1750	630	32928	74970	252	266	5600	NNU 41/1120 K30M/W33
	1750	630	32928	74970	252	266	5600	NNU 41/1120 M/W33
1180	1850	670	36162	83300	216	228	7200	NNU 41/1180 K30M/W33
	1850	670	36162	83300	216	228	7200	NNU 41/1180 M/W33
1250	1950	710	40964	96040	198	209	8000	NNU 41/1250 K30M/W33
	1950	710	40964	96040	198	209	8000	NNU 41/1250 M/W33
1320	1720	400	13524	41650	252	266	3060	NN 49/1320 W33
	1720	400	13524	41650	252	266	3060	NN 49/1320 K/W33
	2060	750	44786	103880	171	180,5	9400	NNU 41/1320 K30M/W33
	2060	750	44786	103880	171	180,5	9400	NNU 41/1320 M/W33
1400	2180	775	48510	113680	153	161,5	10700	NNU 41/1400 K30M/W33
	2180	775	48510	113680	153	161,5	10700	NNU 41/1400 M/W33
1500	2300	800	51744	129360	135	142,5	12300	NNU 41/1500 K30M/W33
	2300	800	51744	129360	135	142,5	12300	NNU 41/1500 M/W33

CUSCINETTI A RULLI CILINDRICI, A DUE CORONE, DI ALTA PRECISIONE
CYLINDRICAL ROLLER BEARINGS, DOUBLE ROW, HIGH-PRECISION



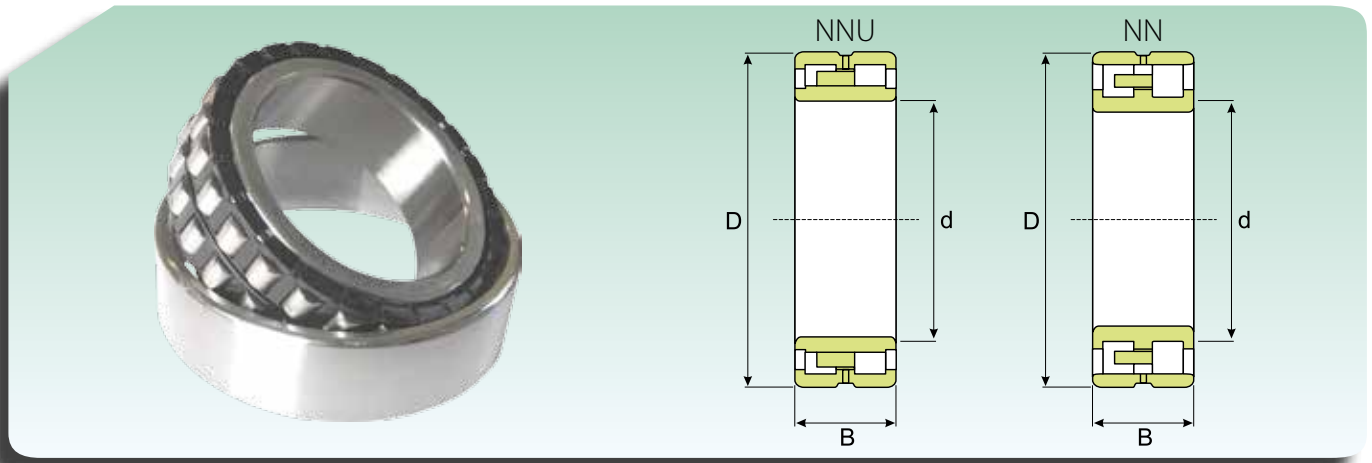
Dimensioni (mm) Dimension (mm)			Coefficiente di carico (KN) Load rating (KN)		Velocità limite (giri/min) Speed limit (Rpm)		Peso (Kg) Weight (Kg)	Sigla Designation
d (mm)	D (mm)	B (mm)	Dinamico Dynamic C	Statico Static C ₀	Lubrificazione Lubrication			
					Grasso Grease	Olio Oil		
25	47	16	25,48	29,4	18430	21340	0,12	NN 3005 K/SP
	47	16	25,48	29,4	18430	21340	0,12	NN 3005/SP
30	55	19	30,184	36,75	15520	17460	0,19	NN 3006 KTN/SP
	55	19	30,184	36,75	15520	17460	0,19	NN 3006 TN/SP
35	62	20	38,318	49	13580	15520	0,25	NN 3007 K/SP
	62	20	38,318	49	13580	15520	0,25	NN 3007/SP
40	68	21	42,042	54,88	11640	13580	0,30	NN 3008 KTN/SP
	68	21	42,042	54,88	11640	13580	0,30	NN 3008 TN/SP
45	75	23	49,098	64,19	10670	12610	0,38	NN 3009 KTN/SP
	75	23	49,098	64,19	10670	12610	0,38	NN 3009 TN/SP
50	80	23	51,744	72,03	9700	11640	0,42	NN 3010 KTN/SP
	80	23	51,744	72,03	9700	11640	0,42	NN 3010 TN/SP
55	90	26	67,914	94,57	9215	10670	0,62	NN 3011 KTN/SP
	90	26	67,914	94,57	9215	10670	0,62	NN 3011 TN/SP
60	95	26	72,226	103,88	8730	9700	0,66	NN 3012 KTN/SP
	95	26	72,226	103,88	8730	9700	0,66	NN 3012 TN/SP
65	100	26	74,97	113,68	8245	9215	0,71	NN 3013 KTN/SP
	100	26	74,97	113,68	8245	9215	0,71	NN 3013 TN/SP
70	110	30	94,864	147	7275	8245	1,00	NN 3014 KTN/SP
	110	30	94,864	147	7275	8245	1,00	NN 3014 TN/SP
75	115	30	94,864	147	6790	7760	1,10	NN 3015 KTN/SP
	115	30	94,864	147	6790	7760	1,10	NN 3015 TN/SP
80	125	34	116,62	182,28	6499	7275	1,45	NN 3016 KTN/SP
	125	34	116,62	182,28	6499	7275	1,45	NN 3016 TN/SP
85	130	34	122,5	199,92	6111	6790	1,60	NN 3017 KTN9/SP
	130	34	122,5	199,92	6111	6790	1,60	NN 3017 TN9/SP
90	140	37	135,24	211,68	5820	6499	2,00	NN 3018 KTN9/SP
	140	37	135,24	211,68	5820	6499	2,00	NN 3018 TN9/SP
95	145	37	139,16	227,36	5432	6111	2,10	NN 3019 KTN9/SP
	145	37	139,16	227,36	5432	6111	2,10	NN 3019 TN9/SP
100	140	40	125,44	249,9	5432	6111	1,90	NNU 4920 SPW33
	140	40	125,44	249,9	5432	6111	1,90	NNU 4920 K/SPW33
	150	37	147,98	245	5141	5820	2,20	NN 3020 KTN9/SP
	150	37	147,98	245	5141	5820	2,20	NN 3020 TN9/SP
105	145	40	127,4	254,8	5141	5820	2,00	NNU 4921 SPW33
	145	40	127,4	254,8	5141	5820	2,00	NNU 4921 K/SPW33
	160	41	186,2	298,9	4850	5432	2,70	NN 3021 KTN9/SP
	160	41	186,2	298,9	4850	5432	2,70	NN 3021 TN9/SP

CUSCINETTI A RULLI CILINDRICI, A DUE CORONE, DI ALTA PRECISIONE CYLINDRICAL ROLLER BEARINGS, DOUBLE ROW, HIGH-PRECISION



Dimensioni (mm) Dimension (mm)			Coefficiente di carico (kN) Load rating (kN)		Velocità limite (giri/min) Speed limit (Rpm)		Peso (Kg) Weight (Kg)	Sigla Designation
d (mm)	D (mm)	B (mm)	Dinamico C	Statico C ₀	Lubrificazione Lubrication			
					Grasso Grease	Olio Oil		
110	150	40	129,36	264,6	5141	5820	2,05	NNU 4922 SPW33
	150	40	129,36	264,6	5141	5820	2,05	NNU 4922 K/SPW33
	170	45	215,6	352,8	4656	5141	3,40	NN 3022 KTN9/SP
	170	45	215,6	352,8	4656	5141	3,40	NN 3022 TN9/SP
120	165	45	172,48	333,2	4656	5141	2,80	NNU 4924 SPW33
	165	45	172,48	333,2	4656	5141	2,80	NNU 4924 K/SPW33
	180	46	224,42	382,2	4365	4850	3,70	NN 3024 KTN9/SP
	180	46	224,42	382,2	4365	4850	3,70	NN 3024 TN9/SP
130	180	50	183,26	382,2	4171	4656	3,85	NNU 4926 SPW33
	180	50	183,26	382,2	4171	4656	3,85	NNU 4926 K/SPW33
	200	52	280,28	470,4	3880	4365	5,55	NN 3026 KTN9/SP
	200	52	280,28	470,4	3880	4365	5,55	NN 3026 TN9/SP
140	190	50	186,2	392	3880	4365	4,10	NNU 4928 SPW33
	190	50	186,2	392	3880	4365	4,10	NNU 4928 K/SPW33
	210	53	291,06	509,6	3686	4171	6,00	NN 3028 K/SPW33
	210	53	291,06	509,6	3686	4171	6,00	NN 3028/SPW33
150	210	60	323,4	641,9	3686	4171	6,25	NNU 4930 SPW33
	210	60	323,4	641,9	3686	4171	6,25	NNU 4930 K/SPW33
	225	56	323,4	558,6	3492	3880	7,30	NN 3030 K/SPW33
	225	56	323,4	558,6	3492	3880	7,30	NN 3030/SPW33
160	220	60	323,4	666,4	3492	3880	6,60	NNU 4932 SPW33
	220	60	323,4	666,4	3492	3880	6,60	NNU 4932 K/SPW33
	240	60	361,62	641,9	3298	3686	8,80	NN 3032 K/SPW33
	240	60	361,62	641,9	3298	3686	8,80	NN 3032/SPW33
170	230	60	329,28	681,1	3298	3686	6,95	NNU 4934 SPW33
	230	60	329,28	681,1	3298	3686	6,95	NNU 4934 K/SPW33
	260	67	447,86	784	3104	3492	12,0	NN 3034 K/SPW33
	260	67	447,86	784	3104	3492	12,0	NN 3034/SPW33
180	250	69	393,96	833	2910	3298	10,5	NNU 4936 SPW33
	250	69	393,96	833	2910	3298	10,5	NNU 4936 K/SPW33
	280	74	549,78	980	2716	3104	16,0	NN 3036 K/SPW33
	280	74	549,78	980	2716	3104	16,0	NN 3036/SPW33
190	260	69	393,96	862,4	2716	3104	11,0	NNU 4938 SPW33
	260	69	393,96	862,4	2716	3104	11,0	NNU 4938 K/SPW33
	290	75	582,12	1058,4	2522	2910	17,0	NN 3038 K/SPW33
	290	75	582,12	1058,4	2522	2910	17,0	NN 3038/SPW33
200	280	80	474,32	1019,2	2522	2910	15,0	NNU 4940 SPW33
	280	80	474,32	1019,2	2522	2910	15,0	NNU 4940 K/SPW33
	310	82	631,12	1117,2	2328	2716	21,0	NN 3040 K/SPW33
	310	82	631,12	1117,2	2328	2716	21,0	NN 3040/SPW33
220	300	80	501,76	1117,2	2328	2716	16,5	NNU 4944 SPW33
	300	80	501,76	1117,2	2328	2716	16,5	NNU 4944 K/SPW33
	340	90	792,82	1430,8	2134	2522	27,5	NN 3044 K/SPW33
	340	90	792,82	1430,8	2134	2522	27,5	NN 3044/SPW33

CUSCINETTI A RULLI CILINDRICI, A DUE CORONE, DI ALTA PRECISIONE CYLINDRICAL ROLLER BEARINGS, DOUBLE ROW, HIGH-PRECISION



Dimensioni (mm) Dimension (mm)			Coefficiente di carico (kN) Load rating (kN)		Velocità limite (giri/min) Speed limit (Rpm)		Peso (Kg) Weight (Kg)	Sigla Designation
d (mm)	D (mm)	B (mm)	Dinamico Dynamic C	Statico Static C ₀	Lubrificazione Lubrication			
					Grasso Grease	Olio Oil		
240	320	80	517,44	1195,6	2134	2522	17,5	NNU 4948 SPW33
	320	80	517,44	1195,6	2134	2522	17,5	NNU 4948 K/SPW33
	360	92	825,16	1528,8	1940	2328	30,5	NN 3048 K/SPW33
	360	92	825,16	1528,8	1940	2328	30,5	NN 3048/SPW33
260	360	100	733,04	1666	1940	2328	30,5	NNU 4952 SPW33
	360	100	733,04	1666	1940	2328	30,5	NNU 4952 K/SPW33
	400	104	999,6	1891,4	1843	2134	44,0	NN 3052 K/SPW33
	400	104	999,6	1891,4	1843	2134	44,0	NN 3052/SPW33
280	380	100	749,7	1764	1843	2134	32,5	NNU 4956 SPW33
	380	100	749,7	1764	1843	2134	32,5	NNU 4956 K/SPW33
	420	106	1058,4	2038,4	1746	1940	47,5	NN 3056 K/SPW33
	420	106	1058,4	2038,4	1746	1940	47,5	NN 3056/SPW33
300	420	118	999,6	2312,8	1746	1940	48,0	NNU 4960 SPW33
	420	118	999,6	2312,8	1746	1940	48,0	NNU 4960 K/SPW33
	460	118	1225	2352	1649	1843	66,5	NN 3060 K/SPW33
	460	118	1225	2352	1649	1843	66,5	NN 3060/SPW33
320	440	118	1038,8	2450	1649	1843	50,0	NNU 4964 SPW33
	440	118	1038,8	2450	1649	1843	50,0	NNU 4964 K/SPW33
	480	121	1293,6	2548	1552	1746	71,0	NN 3064 K/SPW33
340	460	118	1078	2597	1455	1649	53,0	NNU 4968 SPW33
	460	118	1078	2597	1455	1649	53,0	NNU 4968 K/SPW33
	520	133	1617	3185	1358	1552	94,5	NN 3068 K/SPW33
360	480	118	1097,6	2744	1455	1649	55,0	NNU 4972 SPW33
	480	118	1097,6	2744	1455	1649	55,0	NNU 4972 K/SPW33
	540	134	1685,6	3381	1261	1455	102	NN 3072 K/SPW33
380	520	140	1421	3528	1261	1455	83,5	NNU 4976 SPW33
	520	140	1421	3528	1261	1455	83,5	NNU 4976 K/SPW33
	560	135	1646,4	3381	1261	1455	105	NN 3076 K/SPW33
400	540	140	1440,6	3724	1261	1455	87,5	NNU 4980 SPW33
	540	140	1440,6	3724	1261	1455	87,5	NNU 4980 K/SPW33
	600	148	2116,8	4410	1164	1358	135	NN 3080 K/SPW33
420	560	140	1479,8	3920	1164	1358	91,0	NNU 4984 SPW33
	560	140	1479,8	3920	1164	1358	91,0	NNU 4984 K/SPW33
	620	150	2077,6	4410	1067	1261	140	NN 3084 K/SPW33
460	620	160	2048,2	5390	970	1164	130	NNU 4992 SPW33
	620	160	2048,2	5390	970	1164	130	NNU 4992 K/SPW33
	680	163	2548	5390	970	1164	190	NN 3092 K/SPW33
500	670	170	2283,4	5978	921,5	1067	165	NNU 49/500 SPW33X
	670	170	2283,4	5978	921,5	1067	165	NNU 49/500 K/SPW33X
600	800	200	3508,4	9996	776	873	280	NNU 49/600 SPW33X
	800	200	3508,4	9996	776	873	280	NNU 49/600 K/SPW33X
670	900	230	4851	13426	679	776	410	NNU 49/670 SPW33X
	900	230	4851	13426	679	776	410	NNU 49/670 K/SPW33X