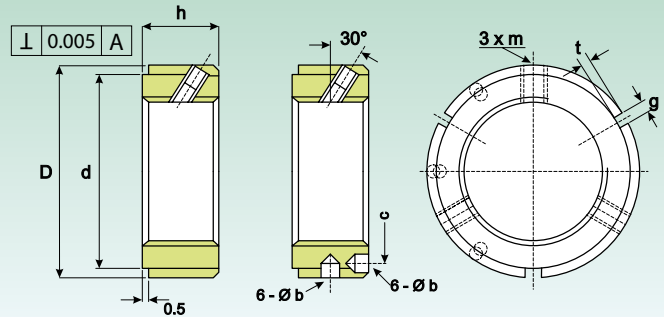


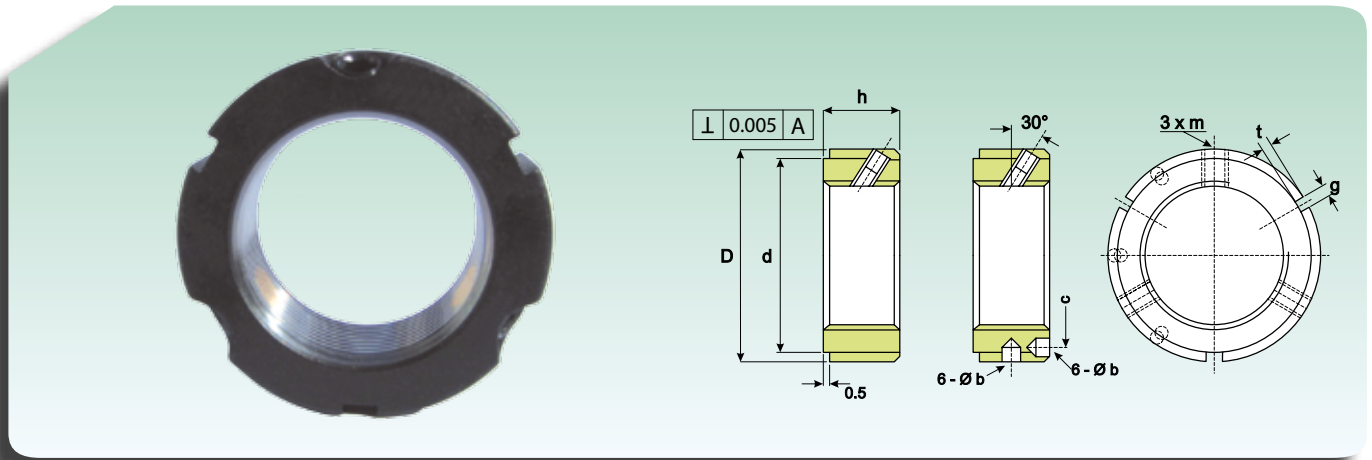
## GHIERA YSF BLOCCAGGIO SUL FIANCO LOCK NUT YSF SIDE LOCKING



D (mm)	h (mm)	Dimensioni Dimension				m	Coppia massima (Nm) Max Torque (Nm)	Peso (Kg) Weight (Kg)	Sigla Designation
		d (mm)	g/b	t/c					
32	16	27	4/-	2	-	M5	4.5	0.07	YSF M 17X1
38	16	33	4/-	2	-	M5	4.5	0.1	YSF M 20X1
	16	33	4/-	2	-	M6	8	0.1	YSF M 20X1.5
	18	33	5/-	2	-	M6	8	0.09*	YSF M 25X1.5
45	18	40	5/-	2	-	M6	8	0.13	YSF M 30X1.5
52	18	47	5/-	2	-	M8	18	0.17	YSF M 35X1.5
58	20	52	6/-	2.5	-	M8	18	0.22	YSF M 40X 1.5
65	20	59	6/-	2.5	-	M8	18	0.27	YSF M 45X1.5
70	20	64	6/	2.5	-	M8	18	0.31	YSF M 50X1.5
75	22	68	7/Ø6	2.5	65	M8	18	0.36	YSF M 55X2
80	22	73	7/Ø6	2.5	70	M8	18	0.39	YSF M 60X2
85	22	78	7/Ø6	2.5	75	M8	18	0.43	YSF M 65X2
92	24	84	8/Ø7	3	81	M8	18	0.55	YSF M 70X2
98	24	90	8/Ø7	3	87	M8	18	0.62	YSF M 75X2
105	24	96	8/Ø7	3	93	M8	18	0.71	YSF M 80X2
110	24	102	8/Ø7	3	98	M8	18	0.74	YSF M 85X2
120	26	108	10/Ø7	3	105	M8	18	1.02	YSF M 90X2
125	26	113	10/Ø7	3	110	M8	18	1.08	YSF M 95X2
130	26	118	10/Ø7	3	115	M8	18	1.1	YSF M 100X2
140	28	125	10/Ø7	3	123	M 10	35	1.48	YSF M 105X2
145	28	132	10/Ø7	3	128	M 10	35	1.57	YSF M 110X2
150	28	137	10/Ø7	3	133	M 10	35	1.6	YSF M 115X2
155	30	142	12/Ø7	3	138	M 10	35	1.76	YSF M 120X2
160	30	147	12/Ø7	3	143	M10	35	1.82	YSF M 125X2
165	30	152	12/Ø7	3	148	M 10	35	1.89	YSF M 130X2
175	32	160	12/Ø7	3.5	155	M10	35	2.46	YSF M 135X2
180	32	165	12/Ø7	3.5	160	M 10	35	2.47	YSF M 140X2
190	32	175	12/Ø7	3.5	168	M10	35	2.96	YSF M 145X2
195	32	180	12/Ø7	3.5	173	M 10	35	3.02	YSF M 150X2
200	34	180	14/Ø8	3.5	178	M 10	35	3.32	YSF M 155X3
	34	190	14/Ø8	3.5	185	M10	35	3.88	YSF M 160X3
210	34	190	14/Ø8	3.5	188	M 10	35	3.96	YSF M.165X3

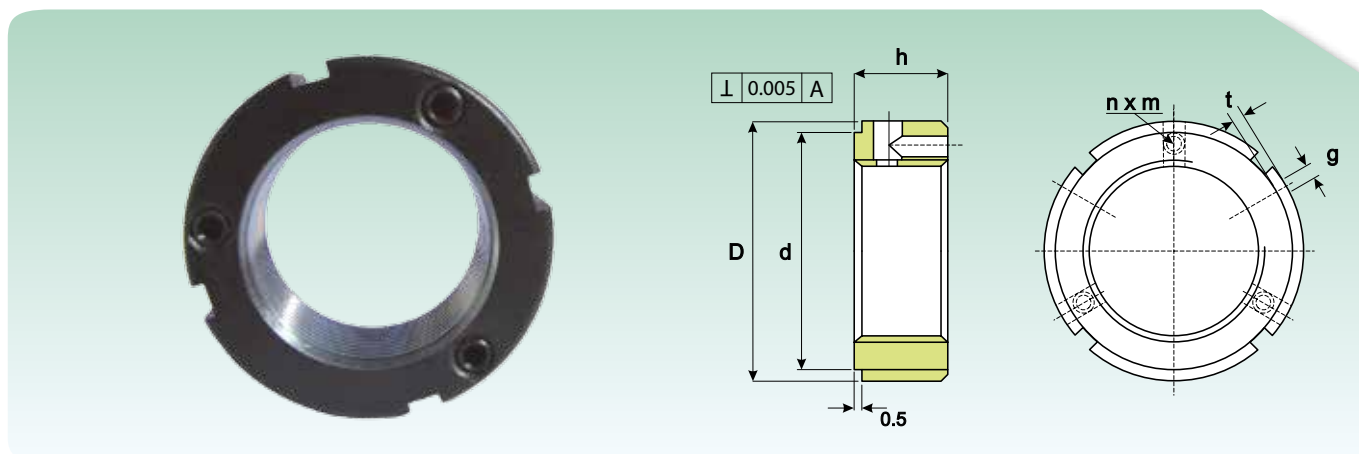
\* Il peso è corretto  
\* The weight is correct

## GHIERA YSF BLOCCAGGIO SUL FIANCO LOCK NUT YSF SIDE LOCKING



D (mm)	h (mm)	d (mm)	Dimensioni Dimension			m	Coppia massima (Nm) Max Torque (Nm)	Peso (Kg) Weight (Kg)	Sigla Designation
			g/b	t/c					
220	34	200	14/Ø 8	3.5	195	M 10	35	4.04	YSF M 170X3
230	36	205	16/Ø 8	3.5	205	M 12	60	4.4	YSF M 180X3
240	36	215	16/Ø 8	3.5	215	M 12	60	4.77	YSF M 190X3
250	38	225	16/Ø 8	3.5	225	M 12	60	5.26	YSF M 200X3

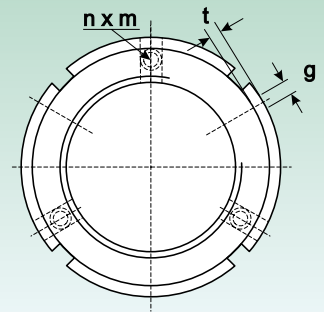
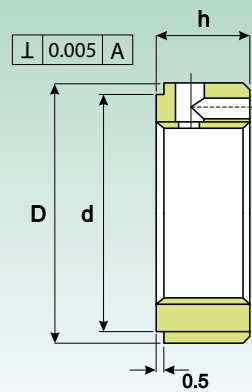
## GHIERA YSA BLOCCAGGIO ASSIALE LOCK NUT YSA AXIAL LOCKING



Dimensioni						Coppia massima (Nm) Max Torque (Nm)	Peso (Kg) Weight (Kg)	Sigla Designation
D (mm)	h (mm)	g (mm)	t (mm)	d (mm)	n X m			
32	16	4	2	27	2XM4	3.5	0.07	YSA M 17X1
38	16	4	2	33	3XM4	4.5	0.1	YSAM 20X1
	16	4	2	33	3XM4	4.5	0.1	YSA M 20X1.5
	18	5	2	33	3XM4	4.5	0.09*	YSA M 25X1.5
45	18	5	2	40	3 XM4	4.5	0.13	YSA M 30X1.5
52	18	5	2	47	3XM6	8	0.17	YSA M 35X1.5
58	20	6	2.5	52	3XM6	8	0.22	YSA M 40X1.5
65	20	6	2.5	59	3XM6	8	0.27	YSA M 45X1.5
70	20	6	2.5	64	3XM6	8	0.31	YSA M 50X1.5
75	22	7	3	68	3XM6	8	0.36	YSA M 55X2
80	22	7	3	73	3XM6	8	0.39	YSA M 60X2
85	22	7	3	78	3 XM6	8	0.43	YSAM 65X2
92	24	8	3.5	84	3 XM8	18	0.55	YSA M 70X2
98	24	8	3.5	90	3 XM8	18	0.62	YSAM 75X2
105	24	8	3.5	96	3XM8	18	0.71	YSA M 80X2
110	24	8	3.5	102	3XM 8	18	0.74	YSA M 85X2
120	26	10	4	108	3XM8	18	1.02	YSAM 90X2
125	26	10	4	113	3XM8	18	1.08	YSA M 95X2
130	26	10	4	118	3 XM8	18	1.1	YSA M 100X2
140	28	12	5	125	3XM 10	35	1.48	YSA M 105X2
145	28	12	5	132	3 XM 10	35	1.57	YSA M 110X2
150	28	12	5	137	3XM 10	35	1.6	YSA M 115X2
155	30	12	5	142	3XM 10	35	1.76	YSA M 120X2
160	30	12	5	147	3 XM 10	35	1.82	YSA M 125X2
165	30	12	5	152	3 XM 10	35	1.89	YSA M 130X2
175	32	14	6	160	3XM 12	35	2.46	YSA M 135X2
180	32	14	6	165	3XM 12	35	2.47	YSA M 140X2
190	32	14	6	175	3XM 12	35	2.96	YSA M 145X2
195	32	14	6	180	3 XM 12	35	3.02	YSA M 150X2
200	34	16	7	180	3 XM 12	35	3.32	YSA M 155X3
	34	16	7	190	3XM 12	35	3.88	YSA M 160X3
210	34	16	7	190	3XM 12	35	3.96	YSA M 165X3
	34	16	7	190	3XM 12	35	3.96	YSA M 165X3

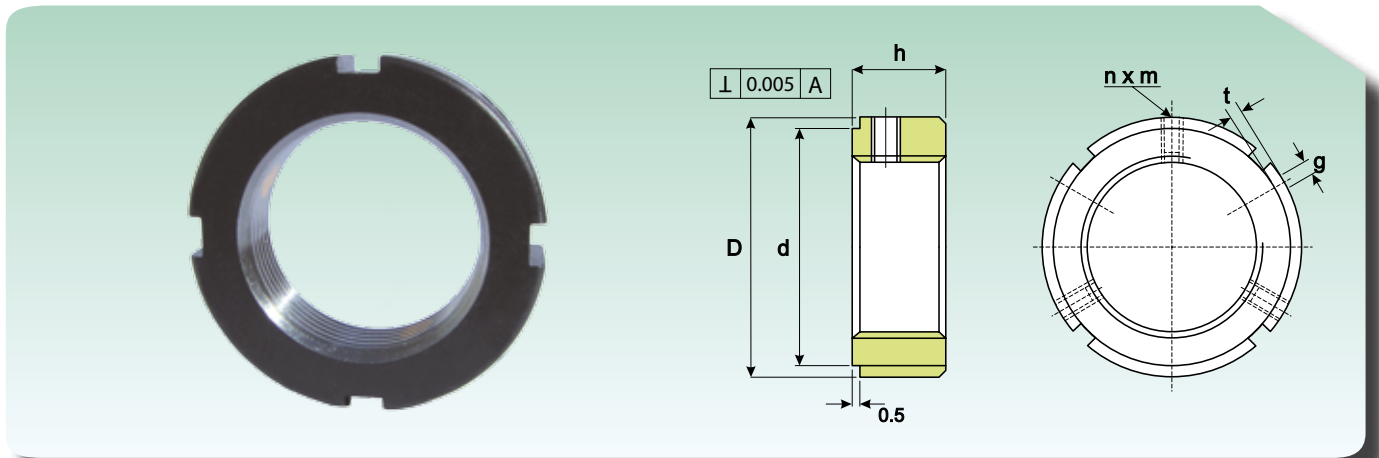
\* Il peso è corretto  
\* The weight is correct

## GHIERA YSA BLOCCAGGIO ASSIALE LOCK NUT YSA AXIAL LOCKING

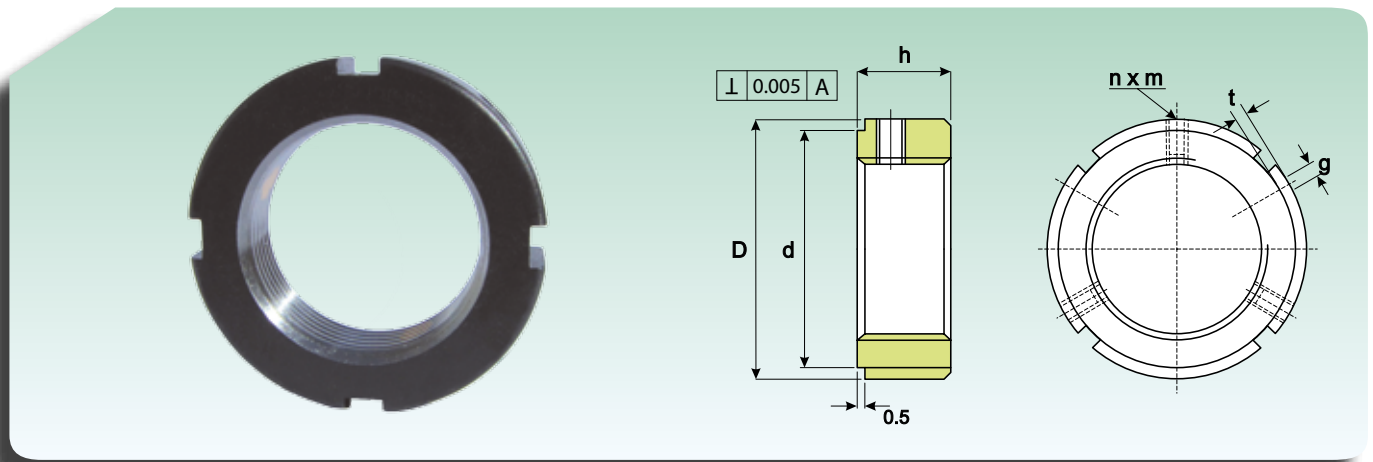


Dimensioni Dimensioni						Coppia massima (Nm) Max Torque (Nm)	Peso (Kg) Weight (Kg)	Sigla Designation
D (mm)	h (mm)	g (mm)	t (mm)	d (mm)	n X m			
220	34	16	7	200	3XM 12	35	4.04	YSA M 170X3
230	36	18	8	205	3XM 12	60	4.4	YSA M 180X3
240	36	18	8	215	3XM 12	60	4.77	YSA M 190X3
250	38	18	8	225	3XM 12	60	5.26	YSAM 200X3

## GHIERA YSR BLOCCAGGIO RADIALE LOCK NUT YSR RADIAL LOCKING

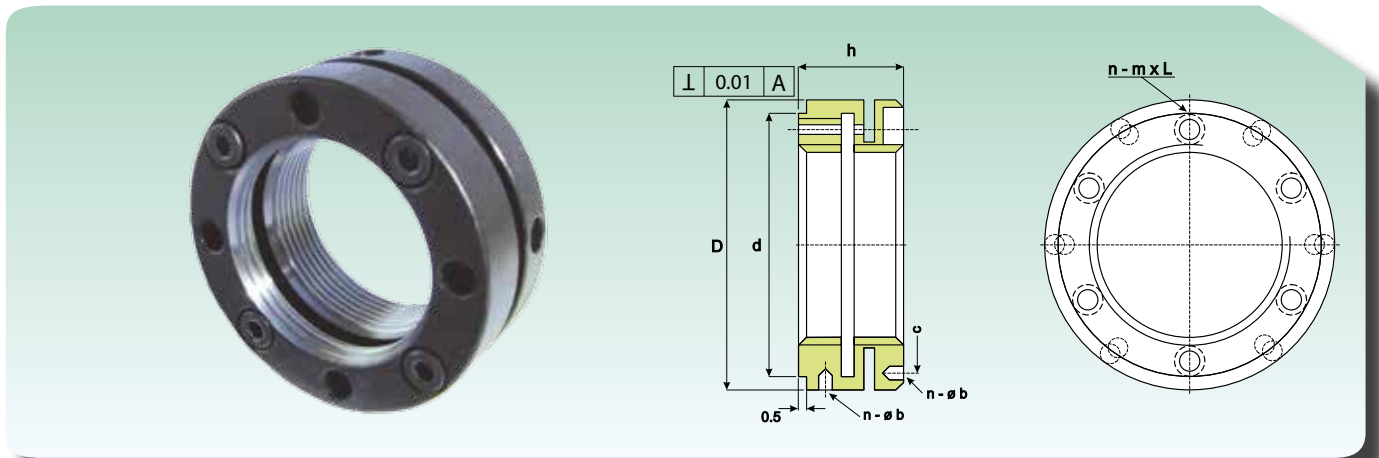


Dimensioni Dimension						Coppia massima (Nm) Max Torque (Nm)	Peso (Kg) Weight (Kg)	Sigla Designation
D (mm)	h (mm)	g (mm)	t (mm)	d (mm)	n X m			
16	8	3	2	11	2XM4	4.5	0.015	YSR M 8X0.75
18	8	3	2	13	2XM4	4.5	0.02	YSR M 10X0.75
20	8	3	2	16	2XM4	4.5	0.02	YSR M 12X1
25	8	3	2	21	2XM4	4.5	0.025	YSR M 15X1
28	10	4	2	23	2XM5	8	0.03	YSR M 17X1
32	10	4	2	27	2XM5	8	0.04	YSRM 20X1
	10	4	2	33	2XM5	8	0.04	YSR M 20X1.5
38	12	5	2	33	3XM6	8	0.055	YSR M 25X1.5
45	12	5	2	40	3XM6	8	0.08	YSR M 30X1.5
52	12	5	2	47	3XM6	18	0.12	YSR M 35X1.5
58	14	6	2.5	52	3XM6	18	0.15	YSR M 40X1.5
65	14	6	2.5	59	3XM6	18	0.19	YSRM 45X1.5
70	14	6	2.5	64	3XM6	18	0.22	YSRM 50X1.5
75	16	7	3	68	3XM8	18	0.27	YSRM 55X2
80	16	7	3	73	3XM8	18	0.3	YSR M 60X2
85	16	7	3	78	3XM8	18	0.31	YSRM 65X2
92	18	8	3.5	84	3XM8	18	0.41	YSR M 70X2
98	18	8	3.5	90	3XM8	18	0.47	YSRM 75X2
105	18	8	3.5	96	3XM8	18	0.53	YSRM 80X2
110	18	8	3.5	102	3XM8	18	0.58	YSR M 85X2
120	20	10	4	108	3XM8	18	0.82	YSRM 90X2
125	20	10	4	113	3XM8	18	0.86	YSR M 95X2
130	20	10	4	118	3XM8	18	0.89	YSR M 100X2
140	22	10	5	125	3XM8	35	1.19	YSRM 105X2
145	22	12	5	132	3XM8	35	1.23	YSRM 110X2
150	22	12	5	137	3XM8	35	1.27	YSRM 115X2
155	24	12	5	142	3XM8	35	1.45	YSR M 120X2
160	24	12	5	147	3XM8	35	1.49	YSRM 125X2
165	24	12	5	152	3XM8	35	1.54	YSR M 130X2
175	26	14	6	160	3XM10	35	1.99	YSRM 135X2
180	26	14	6	165	3XM10	35	2.06	YSRM 140X2

**GHIERA YSR BLOCCAGGIO RADIALE**  
**LOCK NUT YSR RADIAL LOCKING**


D (mm)	Dimensioni Dimension					Coppia massima (Nm) Max Torque (Nm)	Peso (Kg) Weight (Kg)	Sigla Designation
	h (mm)	g (mm)	t (mm)	d (mm)	n X m			
190	26	14	6	175	3XM10	35	2.44	YSRM 145X2
195	26	14	6	180	3XM10	35	2.51	YSR M 150X2
200	28	16	7	180	3XM10	35	2.76	YSRM 155X3
210	28	16	7	190	3XM10	35	3.25	YSR M 160X3
	28	16	7	190	3XM10	35	3.35	YSR M 165X3
220	28	16	7	200	3XM10	35	3.4	YSR M 170X3
230	30	18	8	205	3XM12	60	3.78	YSR M 180X3
240	30	18	8	215	3XM12	60	4	YSR M 190X3
250	32	18	8	225	3XM12	60	4.49	YSR M 200X3

## GHIERA YSK BLOCCAGGIO AD INTAGLIO ELASTICO LOCK NUT YSK LOCKING BY ELASTIC INCISION



D (mm)	Dimensione Dimension					Peso (Kg) Weight (Kg)	Sigla Designation
	h (mm)	d (mm)	n X m-l	b	c		
40	18	35	4XM4-12	4XØ14	30	0.1	YSKM 20X1
	18	35	4XM4-12	4XØ14	30	0.1	YSKM 20X1.5
45	20	40	4XM4-14	4XØ15	35	0.13	YSKM 25X1.5
48	20	45	4 X M4-14	4XØ15	39	0.14	YSKM 30X1.5
53	22	50	4XM4-16	4XØ15	44	0.18	YSKM 35X1.5
58	22	55	4XM4-16	4XØ15	49	0.2	YSKM 40X1.5
68	22	63	4 XM4-16	4XØ16	57	0.28	YSKM 45X1.5
70	25	66	6 X M4-18	6XØ16	60	0.31	YSKM 50X1.5
75	25	71	6 XM4-18	6XØ16	65	0.34	YSKM 55X2
84	26	79	6 X M5-20	6XØ16	72	0.45	YSKM 60X2
88	28	84	6 X M5-20	6XØ16	77	0.53	YSKM 65X2
95	28	89	6 X M5-20	6XØ17	82	0.6	YSKM 70X2
100	28	94	6 X M5-20	6XØ17	87	0.66	YSKM 75X2
110	32	103	6 X M6-22	6XØ18	95	0.98	YSKM 80X2
115	32	108	6 X M6-22	6XØ18	100	0.98	YSKM 85X2
120	32	113	6 X M6-22	6XØ18	105	1.07	YSKM 90X2
125	32	118	6 X M6-22	6XØ18	110	1.1	YSKM 95X2
130	32	123	6 X M6-22	6XØ18	115	1.18	YSKM 100X2
140	32	133	6 X M6-22	6XØ18	125	1.24	YSKM 110X2
155	36	146	6 X M4-25	6XØ18	136	1.87	YSKM 120X2