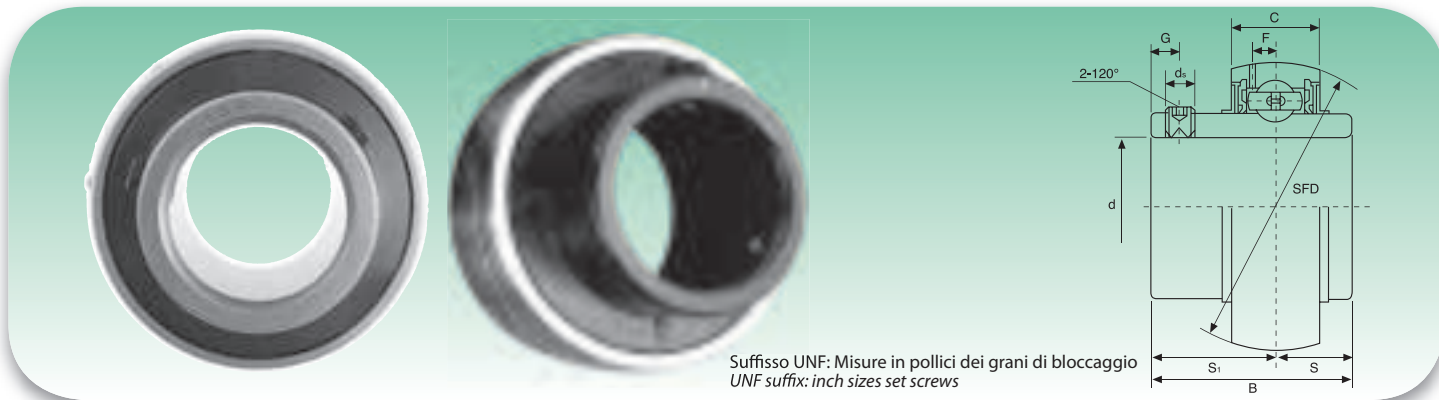


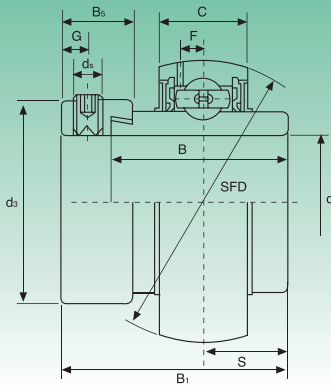
UC2 Serie normale - Standard duty

 Suffisso UNF: Misure in pollici dei grani di bloccaggio
 UNF suffix: inch sizes set screws

| Tipo Type | Dimensioni - Dimensions | | | | | | | | | Coefficienti di carico (N) Load ratings (N) | | Peso Weight kg |
|---|--|---------------|----------------|--------------|----------------|----------------|--------------|-----------------------|---------------|--|---|--------------------------------------|
| | d | D | B | C | S | S ₁ | G | ds | F | Dinamico C Dynamic C | Statico C ₀ Static C ₀ | |
| | mm/inch | | | | | | | | | | | |
| UC201 UC201-8 | 12 ½ | 47 1,8504 | 31 1,2205 | 17 0,6693 | 12,7 0,500 | 18,3 0,720 | 4,8 0,189 | M6x1 ¼-28UNF | 3,7 0,146 | 12160 | 6318 | 0,20 0,19 |
| UC202 UC202-9 UC202-10 | 15 9/16 5/8 | 47 1,8504 | 31 1,2205 | 17 0,6693 | 12,7 0,500 | 18,3 0,720 | 4,8 0,189 | M6x1 ¼-28UNF | 3,7 0,146 | 12160 | 6318 | 0,19 0,19 0,19 |
| UC203 UC203-11 | 17 1 1/16 | 47 1,8504 | 31 1,2205 | 17 0,6693 | 12,7 0,500 | 18,3 0,720 | 4,8 0,189 | M6x1 ¼-28UNF | 3,7 0,146 | 12160 | 6318 | 0,18 0,17 |
| *UC204 UC204-12 | 20 ¾ | 47 1,8504 | 31 1,2205 | 17 0,6693 | 12,7 0,500 | 18,3 0,720 | 4,8 0,189 | M6x1 ¼-28UNF | 3,7 0,146 | 12160 | 6318 | 0,16 0,16 |
| *UC205 UC205-13 UC205-14 UC205-15 UC205-16 | 25 1 3/16 7/8 1 5/16 1 | 52 2,0472 | 34,1 1,3425 | 17 0,6693 | 14,3 0,563 | 19,8 0,780 | 5 0,197 | M6x1 ¼-28UNF | 3,9 0,154 | 13300 | 7457 | 0,20 0,24 0,23 0,21 0,20 |
| *UC206 UC206-17 UC206-18 UC206-19 UC206-20 | 30 1 1/16 1 1/8 1 3/16 1 ¼ | 62 2,4409 | 38,1 1,5000 | 19 0,7480 | 15,9 0,626 | 22,2 0,874 | 5 0,197 | M6x1 ¼-28UNF | 5,0 0,197 | 18525 | 10735 | 0,32 0,33 0,34 0,32 0,31 |
| *UC207 UC207-20 UC207-21 UC207-22 UC207-23 | 35 1 ¼ 1 5/16 1 3/8 1 7/16 | 72 2,8346 | 42,9 1,6890 | 20 0,7874 | 17,5 0,689 | 25,4 1,000 | 7 0,276 | M8x1 5/16-24UNF | 5,7 0,224 | 24415 | 14630 | 0,48 0,54 0,51 0,48 0,45 |
| *UC208 UC208-24 UC208-25 | 40 1 ½ 1 9/16 | 80 3,1496 | 49,2 1,9370 | 21 0,8268 | 19 0,748 | 30,2 1,189 | 8 0,315 | M8x1 5/16-24UNF | 6,2 0,244 | 27645 | 16910 | 0,64 0,68 0,65 |
| *UC209 UC209-26 UC209-27 UC209-28 | 45 1 5/8 1 11/16 1 ¾ | 85 3,3465 | 49,2 1,9370 | 22 0,8661 | 19 0,748 | 30,2 1,189 | 8 0,315 | M8x1 5/16-24UNF | 6,4 0,252 | 32395 | 20235 | 0,68 0,78 0,74 0,70 |
| *UC210 UC210-29 UC210-30 UC210-31 UC210-32 | 50 1 13/16 1 7/8 1 11/16 2 | 90 3,5433 | 51,6 2,0315 | 24 0,9449 | 19 0,748 | 32,6 1,283 | 10 0,394 | M10x1 3/8-24UNF | 6,5 0,256 | 33345 | 22135 | 0,80 0,92 0,87 0,82 0,78 |
| *UC211 UC211-32 UC211-33 UC211-34 UC211-35 | 55 2 2 1/16 2 1/8 2 3/16 | 100 3,9370 | 55,6 2,1890 | 25 0,9843 | 22,2 0,874 | 33,4 1,315 | 10 0,394 | M10x1 3/8-24UNF | 7,0 0,276 | 41230 | 27930 | 1,11 1,26 1,20 1,15 1,09 |
| *UC212 UC212-36 UC212-37 UC212-38 UC212-39 | 60 2 ¼ 2 5/16 2 3/8 2 7/16 | 110 4,3307 | 65,1 2,5630 | 27 1,0630 | 25,4 1,000 | 39,7 1,563 | 10 0,394 | M10x1 3/8-24UNF | 7,6 0,299 | 49780 | 34390 | 1,54 1,67 1,59 1,52 1,45 |
| UC213 UC213-40 UC213-41 | 65 2 ½ 2 9/16 | 120 4,7244 | 65,1 2,5630 | 28 1,1024 | 25,4 1,000 | 39,7 1,563 | 10 0,394 | M10x1 3/8-24UNF | 8,5 0,335 | 54340 | 38095 | 1,85 1,94 1,85 |
| UC214 UC214-42 UC214-43 UC214-44 | 70 2 5/8 2 11/16 2 ¾ | 125 4,9213 | 74,6 2,9370 | 29 1,1417 | 30,2 1,189 | 44,4 1,748 | 12 0,472 | M12x1,5 7/16-20UNF | 8,9 0,350 | 59090 | 41895 | 2,05 2,26 2,16 2,06 |
| UC215 UC215-45 UC215-46 UC215-47 UC215-48 | 75 2 13/16 2 7/8 2 15/16 3 | 130 5,1181 | 77,8 3,0630 | 30 1,1811 | 33,3 1,311 | 44,5 1,752 | 12 0,472 | M12x1,5 7/16-20UNF | 9,2 0,362 | 64030 | 45885 | 2,21 2,46 2,35 2,24 2,12 |
| UC216 UC216-49 UC216-50 UC216-51 | 80 3 1/16 3 1/8 3 3/16 | 140 5,5118 | 82,6 3,2520 | 32 1,2598 | 33,3 1,311 | 49,3 1,9409 | 12 0,472 | M12x1,5 7/16-20UNF | 9,5 0,374 | 69065 | 50350 | 2,80 2,98 2,85 2,72 |
| UC217 UC217-52 UC217-53 UC217-55 | 85 3 ¼ 3 5/16 3 7/16 | 150 5,9055 | 85,7 3,3740 | 34 1,3386 | 34,1 1,343 | 51,6 2,031 | 12 0,472 | M12x1,5 7/16-20UNF | 10,2 0,402 | 79800 | 58805 | 3,46 3,68 3,54 3,25 |
| UC218 UC218-56 | 90 3 ½ | 160 6,2992 | 96 3,7795 | 36 1,4173 | 39,7 1,5630 | 56,3 2,217 | 12 0,472 | M12x1,5 7/16-20UNF | 11,2 0,441 | 91295 | 67925 | 4,36 4,47 |

Disponibile in acciaio inox AISI 440C o 420C - Available stainless steel AISI 440C or 420C

*Fornito con schermo antipolvere a stella, grano con sfera e anello interno brunito - Equipped with anti-rust shield star shape, screw with ball and burnished inner ring

HC2 Serie normale - Standard duty



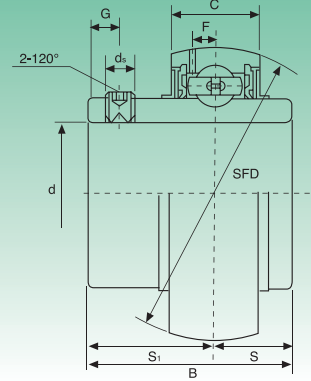
Suffisso UNF: Misure in pollici dei grani di bloccaggio
UNF suffix: inch sizes set screws

| Tipo Type | Dimensioni - Dimensions | | | | | | | | | | | Coefficients di carico (N) Load ratings (N) | | Peso Weight kg |
|--------------|-------------------------|--------|----------------|--------|--------|-------|----------------|-------|----------------|----------------|-------|--|---|----------------------|
| | d | D | B ₁ | B | C | S | d _s | G | B _s | d _s | F | Dinamico C Dynamic C | Statico C ₀ Static C ₀ | |
| | mm/inch | | | | | | | | | | | | | |
| HC204 | 20 | 47 | 43,7 | 34,2 | 17 | 17,1 | M6x1 | 4,8 | 13,5 | 33,3 | 3,7 | 12160 | 6318 | 0,23 |
| HC204-12 | ¾ | 1,8504 | 1,720 | 1,3465 | 0,6693 | 0,673 | ¼-28UNF | 0,189 | 0,531 | 1,311 | 0,146 | | | 0,23 |
| HC205 | 25 | 52 | 44,4 | 34,9 | 17 | 17,5 | M6x1 | 4,8 | 13,5 | 38,1 | 3,9 | 13300 | 7457 | 0,27 |
| HC205-13 | 13/16 | 2,0472 | 1,748 | 1,3740 | 0,6693 | 0,689 | ¼-28UNF | 0,189 | 0,531 | 1,500 | 0,154 | | | 0,32 |
| HC205-14 | 7/8 | | | | | | | | | | | | | 0,31 |
| HC205-15 | 15/16 | | | | | | | | | | | | | 0,29 |
| HC205-16 | 1 | | | | | | | | | | | | | 0,27 |
| HC206 | 30 | | | | | | | | | | | 62 | 48,4 | 36,5 |
| HC206-17 | 11/16 | 2,4409 | 1,906 | 1,4370 | 0,7480 | 0,720 | 5/16-24UNF | 0,236 | 0,626 | 1,752 | 0,197 | 0,50 | | |
| HC206-18 | 11/8 | | | | | | | | | | | 0,47 | | |
| HC206-19 | 13/16 | | | | | | | | | | | 0,45 | | |
| HC206-20 | 1¼ | | | | | | | | | | | 0,42 | | |
| HC207 | 35 | | | | | | | | | | | 72 | 51,1 | 37,6 |
| HC207-20 | 1¼ | 2,8346 | 2,012 | 1,4803 | 0,7874 | 0,740 | 5/16-24UNF | 0,268 | 0,689 | 2,189 | 0,224 | 0,67 | | |
| HC207-21 | 15/16 | | | | | | | | | | | 0,63 | | |
| HC207-22 | 13/8 | | | | | | | | | | | 0,60 | | |
| HC207-23 | 17/16 | | | | | | | | | | | 0,57 | | |
| HC208 | 40 | | | | | | | | | | | 80 | 56,3 | 42,8 |
| HC208-24 | 1½ | 3,1496 | 2,217 | 1,6850 | 0,8268 | 0,843 | 5/16-24UNF | 0,268 | 0,720 | 2,374 | 0,244 | 0,84 | | |
| HC208-25 | 19/16 | | | | | | | | | | | 0,80 | | |
| HC209 | 45 | | | | | | | | | | | 85 | 56,3 | 42,8 |
| HC209-26 | 15/8 | 3,3465 | 2,217 | 1,6850 | 0,8661 | 0,843 | 5/16-24UNF | 0,268 | 0,720 | 2,5000 | 0,252 | 0,96 | | |
| HC209-27 | 111/16 | | | | | | | | | | | 0,91 | | |
| HC209-28 | 1¾ | | | | | | | | | | | 0,87 | | |
| HC210 | 50 | | | | | | | | | | | 90 | 62,7 | 49,2 |
| HC210-29 | 113/16 | 3,5433 | 2,469 | 1,9370 | 0,9449 | 0,969 | 5/16-24UNF | 0,268 | 0,720 | 2,752 | 0,256 | 1,14 | | |
| HC210-30 | 17/8 | | | | | | | | | | | 1,08 | | |
| HC210-31 | 115/16 | | | | | | | | | | | 1,02 | | |
| HC210-32 | 2 | | | | | | | | | | | 0,96 | | |
| HC211 | 55 | | | | | | | | | | | 100 | 71,4 | 55,5 |
| HC211-32 | 2 | 3,9370 | 2,811 | 2,1850 | 0,9843 | 1,094 | 3/8-24UNF | 0,315 | 0,815 | 3,000 | 0,276 | 1,52 | | |
| HC211-33 | 21/16 | | | | | | | | | | | 1,44 | | |
| HC211-34 | 21/8 | | | | | | | | | | | 1,37 | | |
| HC211-35 | 23/16 | | | | | | | | | | | 1,29 | | |
| HC212 | 60 | | | | | | | | | | | 110 | 77,8 | 61,9 |
| HC212-36 | 2¼ | 4,3307 | 3,063 | 2,4370 | 1,0630 | 1,220 | 3/8-24UNF | 0,315 | 0,878 | 3,315 | 0,299 | 2,04 | | |
| HC212-37 | 25/16 | | | | | | | | | | | 1,95 | | |
| HC212-38 | 23/8 | | | | | | | | | | | 1,90 | | |
| HC212-39 | 27/16 | | | | | | | | | | | 1,77 | | |
| HC213 | 65 | | | | | | | | | | | 120 | 85,7 | 68,6 |
| HC213-40 | 2½ | 4,7244 | 3,374 | 2,7008 | 1,1024 | 1,343 | 3/8-24UNF | 0,335 | 0,925 | 3,386 | 0,335 | 2,51 | | |
| HC213-41 | 29/16 | | | | | | | | | | | 2,40 | | |
| HC214 | 70 | | | | | | | | | | | 125 | 85,7 | 68,6 |
| HC214-42 | 25/8 | 4,9213 | 3,374 | 2,7008 | 1,1417 | 1,343 | 3/8-24UNF | 0,335 | 0,925 | 3,543 | 0,350 | 2,79 | | |
| HC214-43 | 211/16 | | | | | | | | | | | 2,68 | | |
| HC214-44 | 2¾ | | | | | | | | | | | 2,56 | | |
| HC215 | 75 | | | | | | | | | | | 130 | 92,1 | 75 |
| HC215-45 | 213/16 | 5,1181 | 3,626 | 2,9528 | 1,1811 | 1,469 | 3/8-24UNF | 0,335 | 0,925 | 4,016 | 0,362 | 3,14 | | |
| HC215-46 | 27/8 | | | | | | | | | | | 3,01 | | |
| HC215-47 | 215/16 | | | | | | | | | | | 2,88 | | |
| HC215-48 | 3 | | | | | | | | | | | 2,74 | | |

Disponibile in acciaio inox AISI 440C o 420C - Available stainless steel AISI 440C or 420C

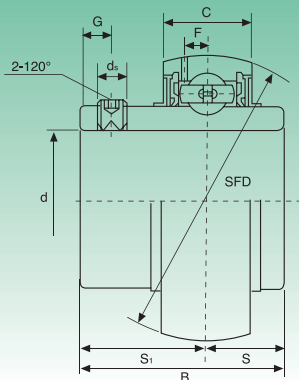
UCX Serie media - Medium duty


Suffisso UNF: Misure in pollici dei grani di bloccaggio
UNF suffix: inch sizes set screws



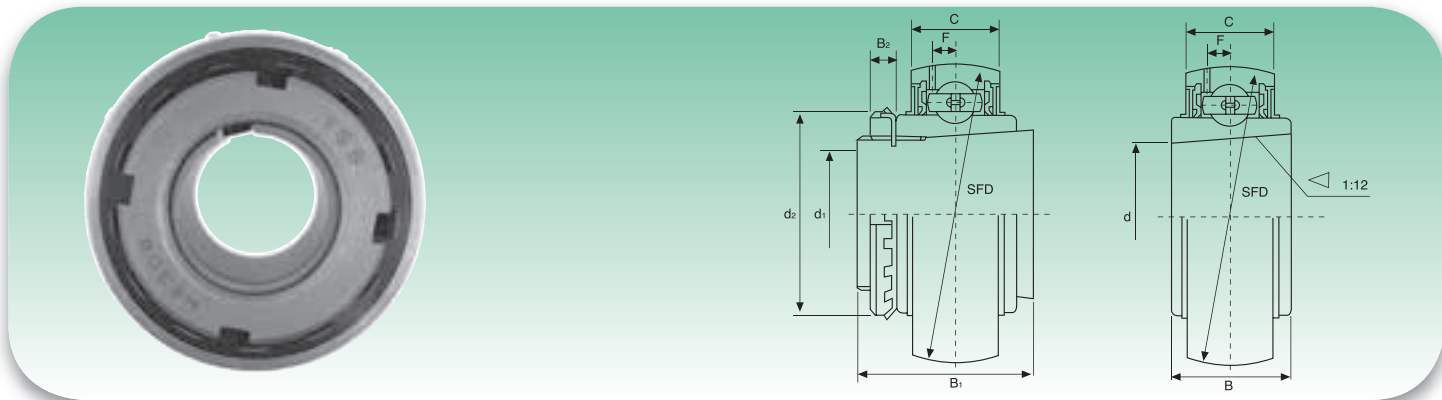
| Tipo Type | Dimensioni - Dimensions | | | | | | | | | Coefficienti di carico (N) Load ratings (N) | | Peso Weight kg |
|--|---|-----|-------|----|------|----------------|----|---------|------|--|---|----------------------|
| | d | D | B | C | S | S ₁ | G | ds | F | Dinamico C Dynamic C | Statico C ₀ Static C ₀ | |
| | mm/inch | | | | | | | | | | | |
| UCX05 UCX05-13 UCX05-14 UCX05-15 UCX05-16 | 25 13/16 7/8 15/16 1 | 62 | 38,1 | 19 | 15,9 | 22,2 | 5 | M6x1 | 5,0 | | | |
| UCX06 UCX06-17 UCX06-18 UCX06-19 UCX06-20 | 30 11/16 11/8 13/16 1 1/4 | 72 | 42,9 | 20 | 17,5 | 25,4 | 7 | M8x1 | 5,7 | 18525 | 10735 | 0,39 |
| UCX07 UCX07-21 UCX07-22 UCX07-23 | 35 15/16 13/8 17/16 | 80 | 49,2 | 21 | 19 | 30,2 | 8 | M8x1 | 6,2 | 27645 | 16910 | 0,82 |
| UCX08 UCX08-24 UCX08-25 | 40 1 1/2 19/16 | 85 | 49,2 | 22 | 19 | 30,2 | 8 | M8x1 | 6,4 | 32395 | 20235 | 0,93 |
| UCX09 UCX09-26 UCX09-27 UCX09-28 | 45 15/8 111/16 1 3/4 | 90 | 51,6 | 24 | 19 | 32,6 | 10 | M10x1 | 6,5 | 33345 | 22135 | 1,00 |
| UCX10 UCX10-30 UCX10-31 UCX10-32 | 50 17/8 115/16 2 | 100 | 55,6 | 25 | 22,2 | 33,4 | 10 | M10x1 | 7,0 | 41230 | 27930 | 1,35 |
| UCX11 UCX11-33 UCX11-34 UCX11-35 UCX11-36 | 55 21/16 21/8 23/16 2 1/4 | 110 | 65,1 | 27 | 25,4 | 39,7 | 10 | M10x1 | 7,6 | 49780 | 34390 | 1,90 |
| UCX12 UCX12-38 UCX12-39 | 60 23/8 27/16 | 120 | 65,1 | 28 | 25,4 | 39,7 | 10 | M10x1 | 8,5 | 54340 | 38095 | 2,27 |
| UCX13 UCX13-40 UCX13-41 | 65 2 1/2 29/16 | 125 | 74,6 | 29 | 30,2 | 44,4 | 12 | M12x1,5 | 8,9 | 59090 | 41895 | 2,45 |
| UCX14 UCX14-42 UCX14-43 UCX14-44 | 70 25/8 211/16 2 3/4 | 130 | 77,8 | 30 | 33,3 | 44,5 | 12 | M12x1,5 | 9,2 | 64030 | 45885 | 2,47 |
| UCX15 UCX15-45 UCX15-46 UCX15-47 UCX15-48 | 75 213/16 27/8 215/16 3 | 140 | 82,6 | 32 | 33,3 | 49,3 | 12 | M12x1,5 | 9,5 | 69065 | 50350 | 3,11 |
| UCX16 UCX16-49 UCX16-50 UCX16-51 | 80 31/16 31/8 33/16 | 150 | 85,7 | 34 | 34,1 | 51,6 | 12 | M12x1,5 | 10,2 | 79800 | 58805 | 3,79 |
| UCX17 UCX17-53 UCX17-55 | 85 35/16 37/16 | 160 | 96 | 36 | 39,7 | 56,3 | 12 | M12x1,5 | 11,2 | 91295 | 67925 | 4,82 |
| UCX18 UCX18-56 UCX18-57 | 90 37/16 3 1/2 | 170 | 104 | 39 | 42,9 | 61,1 | 14 | M14x1,5 | 10,5 | 103550 | 77805 | 5,51 |
| UCX20 UCX20-58 UCX20-59 UCX20-60 UCX20-61 UCX20-62 UCX20-64 | 100 313/16 37/8 315/16 4 4 4 | 190 | 117,5 | 44 | 49,2 | 68,3 | 16 | M16x1,5 | 11,3 | 126350 | 99750 | 8,95 |

UC3 Serie pesante - Heavy duty



Suffisso UNF: Misure in pollici dei grani di bloccaggio
UNF suffix: inch sizes set screws

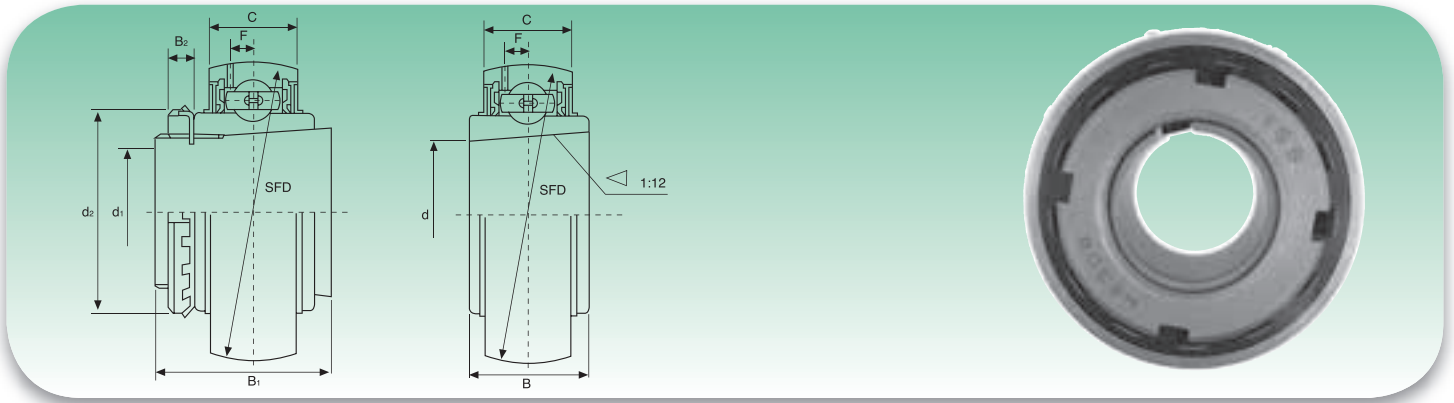
| Tipo Type | Dimensioni - Dimensions | | | | | | | | | Coefficienti di carico (N) Load ratings (N) | | Peso Weight kg |
|--------------|-------------------------|--------|--------|--------|--------|----------------|-------|------------|-------|--|---|----------------------|
| | d | D | B | C | S | S ₁ | G | ds | F | Dinamico C Dynamic C | Statico C ₀ Static C ₀ | |
| | mm/inch | | | | | | | | | | | |
| UC305 | 25 | 62 | 38 | 20 | 15 | 23 | 6 | M6x1 | 5,4 | | | 0,35 |
| UC305-13 | 13/16 | | | | | | | | | | | 0,40 |
| UC305-14 | 7/8 | | | | | | | | | | | 0,38 |
| UC305-15 | 15/16 | 2,4409 | 1,4961 | 0,7874 | 0,591 | 0,906 | 0,236 | ¼-28UNF | 0,213 | 20140 | 10355 | 0,36 |
| UC305-16 | 1 | | | | | | | | | | | 0,35 |
| UC306 | 30 | 72 | 43 | 23 | 17 | 26 | 6 | M6x1 | 5,7 | | | 0,56 |
| UC306-17 | 11/16 | | | | | | | | | | | 0,61 |
| UC306-18 | 11/8 | 2,8346 | 1,6929 | 0,9055 | 0,669 | 1,024 | 0,236 | ¼-28UNF | 0,225 | 25365 | 14250 | 0,58 |
| UC306-19 | 13/16 | | | | | | | | | | | 0,56 |
| UC307 | 35 | 80 | 48 | 25 | 19 | 29 | 8 | M8x1 | 6,2 | | | 0,71 |
| UC307-20 | 1¼ | | | | | | | | | | | 0,77 |
| UC307-21 | 15/16 | 3,1496 | 1,8898 | 0,9843 | 0,748 | 1,142 | 0,315 | 5/16-24UNF | 0,224 | 31730 | 18335 | 0,74 |
| UC307-22 | 13/8 | | | | | | | | | | | 0,71 |
| UC307-23 | 17/16 | | | | | | | | | | | 0,68 |
| UC308 | 40 | 90 | 52 | 27 | 19 | 33 | 10 | M10x1 | 7,0 | | | 0,96 |
| UC308-24 | 1½ | | | | | | | | | | | 1,01 |
| UC308-25 | 19/16 | 3,5433 | 2,0472 | 1,0630 | 0,748 | 1,299 | 0,394 | 3/8-24UNF | 0,276 | 38665 | 22800 | 0,97 |
| UC309 | 45 | 100 | 57 | 30 | 22 | 35 | 10 | M10x1 | 7,8 | | | 1,28 |
| UC309-26 | 15/8 | | | | | | | | | | | 1,39 |
| UC309-27 | 111/16 | 3,9370 | 2,2441 | 1,1811 | 0,866 | 1,378 | 0,394 | 3/8-24UNF | 0,307 | 46455 | 28025 | 1,35 |
| UC309-28 | 1¾ | | | | | | | | | | | 1,30 |
| UC310 | 50 | 110 | 61 | 32 | 22 | 39 | 12 | M12x1,5 | 8,5 | | | 1,65 |
| UC310-29 | 113/16 | | | | | | | | | | | 1,97 |
| UC310-30 | 17/8 | 4,3307 | 2,4016 | 1,2598 | 0,866 | 1,535 | 0,472 | 7/16-20UNF | 0,335 | 58900 | 36385 | 1,74 |
| UC310-31 | 115/16 | | | | | | | | | | | 1,68 |
| UC311 | 55 | 120 | 66 | 34 | 25 | 41 | 12 | M12x1,5 | 9,2 | | | 2,07 |
| UC311-32 | 2 | | | | | | | | | | | 2,25 |
| UC311-33 | 21/16 | 4,7244 | 2,5984 | 1,3386 | 0,984 | 1,614 | 0,472 | 7/16-20UNF | 0,362 | 68020 | 42750 | 2,18 |
| UC311-34 | 21/8 | | | | | | | | | | | 2,12 |
| UC311-35 | 23/16 | | | | | | | | | | | 2,04 |
| UC312 | 60 | 130 | 71 | 36 | 26 | 45 | 12 | M12x1,5 | 9,8 | | | 2,60 |
| UC312-36 | 2¼ | | | | | | | | | | | 2,75 |
| UC312-37 | 25/16 | 5,1181 | 2,7953 | 1,4173 | 1,0236 | 1,772 | 0,472 | 7/16-20UNF | 0,386 | 77805 | 49590 | 2,67 |
| UC312-38 | 23/8 | | | | | | | | | | | 2,58 |
| UC312-39 | 27/16 | | | | | | | | | | | 2,50 |
| UC313 | 65 | 140 | 75 | 38 | 30 | 45 | 12 | M12x1,5 | 10,5 | | | 3,25 |
| UC313-40 | 2½ | | | | | | | | | | | 3,34 |
| UC313-41 | 29/16 | 5,5118 | 2,9528 | 1,4961 | 1,181 | 1,772 | 0,472 | 7/16-20UNF | 0,413 | 88065 | 56905 | 3,24 |
| UC314 | 70 | 150 | 78 | 40 | 33 | 45 | 12 | M12x1,5 | 11,1 | | | 3,89 |
| UC314-42 | 25/8 | | | | | | | | | | | 4,11 |
| UC314-43 | 211/16 | 5,9055 | 3,0708 | 1,5748 | 1,299 | 1,772 | 0,472 | 7/16-20UNF | 0,437 | 98800 | 64790 | 4,00 |
| UC314-44 | 2¾ | | | | | | | | | | | 3,90 |
| UC315 | 75 | 160 | 82 | 42 | 32 | 50 | 14 | M14x1,5 | 11,8 | | | 4,72 |
| UC315-45 | 213/16 | | | | | | | | | | | 4,99 |
| UC315-46 | 27/8 | 6,2992 | 3,2283 | 1,6535 | 1,260 | 1,969 | 0,551 | 9/16-18UNF | 0,465 | 107350 | 73340 | 4,85 |
| UC315-47 | 215/16 | | | | | | | | | | | 4,76 |
| UC315-48 | 3 | | | | | | | | | | | 4,63 |
| UC316 | 80 | 170 | 86 | 44 | 34 | 52 | 14 | M14x1,5 | 12,5 | | | 5,55 |
| UC316-49 | 31/16 | | | | | | | | | | | 5,72 |
| UC316-50 | 31/8 | 6,6929 | 3,3858 | 1,7323 | 1,339 | 2,047 | 0,551 | 9/16-18UNF | 0,492 | 116850 | 82365 | 5,58 |
| UC316-51 | 33/16 | | | | | | | | | | | 5,49 |
| UC317 | 85 | 180 | 96 | 46 | 40 | 56 | 16 | M16x1,5 | 13,1 | | | 6,67 |
| UC317-52 | ¾ | | | | | | | | | | | 6,89 |
| UC317-53 | 35/16 | 7,0866 | 3,7795 | 1,8110 | 1,575 | 2,205 | 0,630 | 5/8-18UNF | 0,516 | 126350 | 91960 | 6,76 |
| UC317-55 | 37/16 | | | | | | | | | | | 6,44 |
| UC318 | 90 | 190 | 96 | 48 | 40 | 56 | 16 | M16x1,5 | 13,8 | | | 7,56 |
| UC318-55 | 37/16 | | | | | | | | | | | 7,85 |
| UC318-56 | ¾ | 7,4803 | 3,7795 | 1,8898 | 1,575 | 2,205 | 0,630 | 5/8-18UNF | 0,543 | 135850 | 101650 | 7,67 |
| UC319 | 95 | 200 | 103 | 50 | 41 | 62 | 16 | M16x1,5 | 14,7 | | | 8,70 |
| UC319-58 | 35/8 | | | | | | | | | | | 9,03 |
| UC319-59 | 311/16 | 7,8740 | 4,0551 | 1,9685 | 1,614 | 2,441 | 0,630 | 5/8-18UNF | 0,579 | 145350 | 113050 | 8,85 |
| UC319-60 | 3¾ | | | | | | | | | | | 8,66 |
| UC320 | 100 | 215 | 108 | 55 | 42 | 66 | 18 | M18x1,5 | 13,5 | | | 10,80 |
| UC320-61 | 313/16 | | | | | | | | | | | 11,20 |
| UC320-62 | 37/8 | 8,4646 | 4,2520 | 2,1654 | 1,654 | 2,598 | 0,709 | 5/8-18UNF | 0,531 | 164350 | 133950 | 10,98 |
| UC320-63 | 315/16 | | | | | | | | | | | 10,80 |
| UC320-64 | 4 | | | | | | | | | | | 10,60 |
| UC321 | 105 | 225 | 112 | 56 | 44 | 68 | 18 | M18x1,5 | 19,1 | 174800 | 145350 | 12,20 |
| UC322 | 110 | 240 | 117 | 60 | 46 | 71 | 18 | M18x1,5 | 20,6 | 194750 | 171000 | 14,30 |
| UC324 | 120 | 260 | 126 | 64 | 51 | 75 | 18 | M18x1,5 | 20,6 | 196650 | 175750 | 18,50 |
| UC326 | 130 | 280 | 135 | 68 | 54 | 81 | 20 | M20x1,5 | 22,2 | 217550 | 203300 | 23,00 |
| UC328 | 140 | 300 | 145 | 73 | 59 | 86 | 22 | M20x1,5 | 23,8 | 240350 | 233700 | 28,50 |

UK2 Serie normale - Standard duty


| Tipo Type | Dimensioni - Dimensions | | | | | | | | | Coefficienti di carico (N) Load ratings (N) | | Peso Weight kg |
|--------------------|-------------------------|--------|--------|--------|----------------|----------------|----------------|----------------|-------|--|---|----------------------|
| | d | D | B | C | d ₁ | B ₁ | B ₂ | d ₂ | F | Dinamico C Dynamic C | Statico C ₀ Static C ₀ | |
| | mm/inch | | | | | | | | | | | |
| UK205+H2305 | 25 | 52 | 23 | 17 | 20 | 35 | 8 | 38 | 3,9 | 13300 | 7457 | 0,25 |
| UK205+HE2305 | 0,9843 | 2,0472 | 0,9055 | 0,6693 | ¾ | 1,378 | 0,315 | 1,496 | 0,154 | | | |
| UK206+H2306 | 30 | 62 | 26 | 19 | 25 | 38 | 8 | 45 | 5,0 | 18525 | 10735 | 0,36 |
| UK206+HS2306 | 1,1811 | 2,4409 | 1,0236 | 0,7480 | 1 | 1,496 | 0,315 | 1,772 | 0,197 | | | |
| UK207+H2307 | 35 | 72 | 29 | 20 | 30 | 43 | 9 | 52 | 5,7 | 24415 | 14630 | 0,57 |
| UK207+HS2307 | 1,3780 | 2,8346 | 1,1417 | 0,7874 | 11/8 | 1,693 | 0,354 | 2,047 | 0,224 | | | |
| UK208+H2308 | 40 | 80 | 31 | 21 | 35 | 46 | 10 | 58 | 6,2 | 27645 | 16910 | 0,74 |
| UK208+HE2308 | 1,5748 | 3,1496 | 1,2205 | 0,8268 | 1¼ | 1,811 | 0,394 | 2,283 | 0,244 | | | |
| UK209+H2309 | 45 | 85 | 31 | 22 | 40 | 50 | 11 | 65 | 6,4 | 32395 | 20235 | 0,83 |
| UK209+HA2309 | | | | | 17/16 | | | | | | | |
| UK209+HE2309 | 1,7717 | 3,3465 | 1,2205 | 0,8661 | 1½ | 1,969 | 0,433 | 2,559 | 0,252 | | | |
| UK209+HS2309 | | | | | 15/8 | | | | | | | |
| UK210+H2310 | 50 | 90 | 32 | 24 | 45 | 55 | 12 | 70 | 6,5 | 33345 | 22135 | 0,97 |
| UK210+HS2310 | | | | | 15/8 | | | | | | | |
| UK210+HA2310 | 1,9685 | 3,5433 | 1,2598 | 0,9449 | 111/16 | 2,165 | 0,472 | 2,756 | 0,256 | | | |
| UK211+H2311 | 55 | 100 | 35 | 25 | 50 | 59 | 12 | 75 | 7,0 | 41230 | 27930 | 1,26 |
| UK211+HS2311 | | | | | 17/8 | | | | | | | |
| UK211+HA2311 | 2,1654 | 3,9370 | 1,3780 | 0,9843 | 115/16 | 2,323 | 0,472 | 2,953 | 0,276 | | | |
| UK211+HE2311 | | | | | 2 | | | | | | | |
| UK212+H2312 | 60 | 110 | 38 | 27 | 55 | 62 | 13 | 80 | 7,6 | 49780 | 34390 | 1,59 |
| UK212+HS2312 | 2,3622 | 4,3307 | 1,4961 | 1,0630 | 21/8 | 2,441 | 0,512 | 3,150 | 0,299 | | | |
| UK213+H2313 | 65 | 120 | 40 | 28 | 60 | 65 | 14 | 85 | 8,5 | 54340 | 38095 | 1,76 |
| UK213+HA2313 | | | | | 23/16 | | | | | | | |
| UK213+HE2313 | 2,5591 | 4,7244 | 1,5748 | 1,1024 | 2¼ | 2,559 | 0,551 | 3,346 | 0,335 | | | |
| UK213+HS2313 | | | | | 23/8 | | | | | | | |
| UK215+H2315 | 75 | 130 | 44 | 30 | 65 | 73 | 15 | 98 | 9,2 | 64030 | 45885 | 2,32 |
| UK215+HA2315 | | | | | 27/16 | | | | | | | |
| UK215+HE2315 | 2,9528 | 5,1181 | 1,7323 | 1,1811 | 2½ | 2,874 | 0,591 | 3,858 | 0,362 | | | |
| UK216+H2316 | 80 | 140 | 45 | 32 | 70 | 78 | 17 | 105 | 9,5 | 69065 | 50350 | 3,06 |
| UK216+HA2316 | | | | | 211/16 | | | | | | | |
| UK216+HE2316 | 3,1496 | 5,5118 | 1,7717 | 1,2598 | 2¾ | 3,071 | 0,669 | 4,134 | 0,374 | | | |
| UK217+H2317 | 85 | 150 | 46 | 34 | 75 | 82 | 18 | 110 | 10,2 | 79800 | 58805 | 3,88 |
| UK217+HA2317 | | | | | 215/16 | | | | | | | |
| UK217+HE2317 | 3,3465 | 5,9055 | 1,8110 | 1,3386 | 3 | 3,228 | 0,709 | 4,331 | 0,402 | | | |
| UK218+H2318 | 90 | 160 | 47 | 36 | 80 | 86 | 18 | 120 | 11,2 | 91295 | 67925 | 4,74 |
| UK218+HA2318 | 3,5433 | 6,2992 | 1,8504 | 1,4173 | 33/16 | 3,386 | 0,709 | 4,724 | 0,441 | | | |

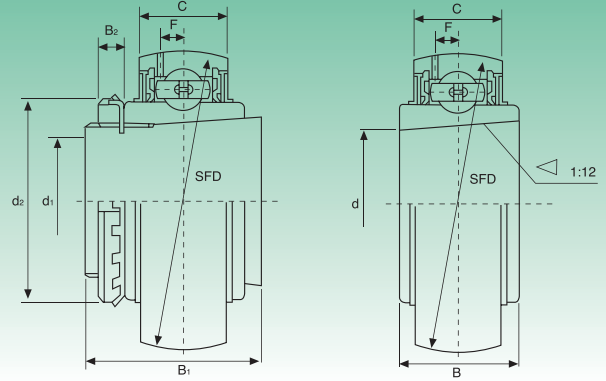
Disponibile in acciaio inox AISI 440C o 420C - Available stainless steel AISI 440C or 420C

Bussole HA; HE; HS con filettatura in pollici - Inch dimension adapter sleeves HA; HE; HS



| Tipo Type | Dimensioni - Dimensions | | | | | | | | | Coefficienti di carico (N) Load ratings (N) | | Peso Weight kg |
|--------------------|-------------------------|--------|--------|--------|----------------|----------------|----------------|----------------|-------|--|---|----------------------|
| | d | D | B | C | d ₁ | B ₁ | B ₂ | d ₂ | F | Dinamico C Dynamic C | Statico C ₀ Static C ₀ | |
| | mm/inch | | | | | | | | | | | |
| UKX05+H2305 | 25 | 62 | 26 | 19 | 20 | 35 | 8 | 38 | 5 | 18525 | 10735 | 0,37 |
| UKX05+HE2305 | 0,9845 | 2,4409 | 1,0236 | 0,7480 | ¾ | 1,378 | 0,315 | 1,496 | 0,197 | | | |
| UKX06+H2306 | 30 | 72 | 29 | 20 | 25 | 38 | 8 | 45 | 5,7 | 24415 | 14630 | 0,59 |
| UKX06+HS2306 | 1,1811 | 2,8346 | 1,1417 | 0,7874 | 7/8 | 1,496 | 0,315 | 1,771 | 0,244 | | | |
| UKX07+H2307 | 35 | 80 | 31 | 21 | 30 | 43 | 9 | 52 | 6,2 | 27645 | 18910 | 0,75 |
| UKX07+HS2307 | 1,3780 | 3,1496 | 1,2205 | 0,8268 | 11/8 | 1,693 | 0,354 | 2,047 | 0,244 | | | |
| UKX08+H2308 | 40 | 85 | 31 | 22 | 35 | 46 | 10 | 58 | 6,4 | 32395 | 20235 | 0,86 |
| UKX08+HE2308 | 1,5748 | 3,3465 | 1,2205 | 0,8661 | 1¼ | 1,811 | 0,394 | 2,284 | 0,252 | | | |
| UKX09+H2309 | 45 | 90 | 32 | 24 | 40 | 50 | 11 | 65 | 6,5 | 33345 | 22135 | 0,96 |
| UKX09+HA2309 | 1,7717 | 3,5433 | 1,2598 | 0,9449 | 17/16 | 1,969 | 0,433 | 2,559 | 0,256 | | | |
| UKX10+H2310 | 50 | 100 | 35 | 25 | 45 | 55 | 12 | 70 | 7,0 | 41230 | 27930 | 1,34 |
| UKX10+HS2310 | 1,9685 | 3,9370 | 1,3780 | 0,6843 | 15/8 | 2,165 | 0,472 | 2,756 | 0,726 | | | |
| UKX11+H2311 | 55 | 100 | 38 | 27 | 50 | 59 | 12 | 75 | 7,6 | 49780 | 34390 | 1,67 |
| UKX11+HA2311 | 2,1654 | 4,3307 | 1,496 | 1,0630 | 17/8 | 2,323 | 0,472 | 2,953 | 0,299 | | | |
| UKX12+H2312 | 60 | 120 | 40 | 28 | 55 | 62 | 13 | 80 | 8,5 | 54340 | 38095 | 1,84 |
| UKX12+HS2312 | 2,3622 | 4,7244 | 1,5748 | 1,1024 | 21/8 | 2,441 | 0,512 | 3,150 | 0,335 | | | |
| UKX13+H2313 | 65 | 125 | 40 | 29 | 60 | 65 | 14 | 85 | 8,9 | 59090 | 41895 | 2,15 |
| UKX13+HA2313 | 2,5591 | 4,9213 | 1,5748 | 1,1417 | 23/16 | 2,559 | 0,551 | 3,346 | 0,350 | | | |
| UKX15+H2315 | 75 | 140 | 45 | 32 | 65 | 73 | 15 | 98 | 9,5 | 69065 | 50350 | 3,05 |
| UKX15+HA2315 | 2,9528 | 5,5118 | 1,7717 | 1,2598 | 27/16 | 2,874 | 0,591 | 3,858 | 0,374 | | | |
| UKX16+H2316 | 80 | 150 | 46 | 34 | 70 | 78 | 17 | 105 | 10,2 | 79800 | 58805 | 3,95 |
| UKX16+HA2316 | 3,1496 | 5,9055 | 1,811 | 1,3386 | 211/16 | 3,071 | 0,669 | 4,134 | 0,402 | | | |
| UKX17+H2317 | 85 | 160 | 47 | 36 | 75 | 82 | 18 | 110 | 11,2 | 91295 | 67925 | 4,83 |
| UKX17+HA2317 | 3,3465 | 6,2992 | 1,8504 | 1,4173 | 215/16 | 3,228 | 0,709 | 4,331 | 0,441 | | | |
| UKX18+H2318 | 90 | 170 | 52 | 39 | 80 | 86 | 18 | 120 | 12,5 | 103550 | 77805 | 5,45 |
| UKX18+HA2318 | 3,5433 | 6,6929 | 1,9685 | 1,5354 | 33/16 | 3,386 | 0,709 | 4,724 | 0,492 | | | |

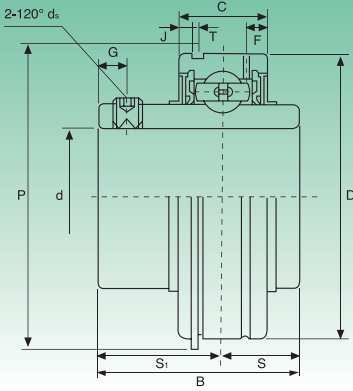
Bussolle HA; HE; HS con filettatura in pollici - Inch dimension adapter sleeves HA; HE; HS

UK3 Serie pesante - Heavy duty


| Tipo Type | Dimensioni - Dimensions | | | | | | | | | Coefficients di carico (N) Load ratings (N) | | Peso Weight kg |
|---------------------|-------------------------|--------|--------|--------|----------------|----------------|----------------|----------------|-------|--|---|----------------------|
| | d | D | B | C | d ₁ | B ₁ | B ₂ | d ₂ | F | Dinamico C Dynamic C | Statico C ₀ Static C ₀ | |
| | mm/inch | | | | | | | | | | | |
| UK305+H2305 | 25 | 62 | 26 | 20 | 20 | 35 | 8 | 38 | 5,0 | 20140 | 10355 | 0,48 |
| UC305+HE2305 | 0,9843 | 2,4409 | 1,0236 | 0,7874 | ¾ | 1,378 | 0,315 | 1,496 | 0,197 | | | |
| UK306+H2306 | 30 | 72 | 29 | 23 | 25 | 38 | 8 | 45 | 5,9 | 25365 | 14250 | 0,59 |
| UK306+HS2306 | 1,1811 | 2,8346 | 1,1417 | 0,9055 | 7/8 | 1,496 | 0,315 | 1,772 | 0,232 | | | |
| UK306+HE2306 | | | | | 1 | | | | | | | |
| UK307+H2307 | 35 | 80 | 33 | 25 | 30 | 43 | 9 | 52 | 6,8 | 31730 | 18335 | 0,76 |
| UK307+HS2307 | 1,3780 | 3,1496 | 1,2992 | 0,9843 | 11/8 | 1,693 | 0,354 | 2,047 | 0,268 | | | |
| UK308+H2308 | 40 | 90 | 34 | 27 | 35 | 46 | 10 | 58 | 7,4 | 38665 | 22800 | 1,07 |
| UK308+HE2308 | 1,5748 | 3,5433 | 1,3386 | 1,0630 | 1¼ | 1,811 | 0,394 | 2,283 | 0,291 | | | |
| UK308+HS2308 | | | | | 13/8 | | | | | | | |
| UK309+H2309 | 45 | 100 | 37 | 29 | 40 | 50 | 11 | 65 | 7,4 | 46455 | 28025 | 1,31 |
| UK309+HA2309 | | | | | 17/16 | | | | | | | |
| UK309+HE2309 | 1,7717 | 3,9370 | 1,4567 | 1,1417 | 1½ | 1,969 | 0,433 | 2,559 | 0,291 | | | |
| UK309+HS2309 | | | | | 15/8 | | | | | | | |
| UK310+H2310 | 50 | 110 | 41 | 32 | 45 | 55 | 12 | 70 | 8,1 | 58900 | 36385 | 1,70 |
| UK310+HS2310 | | | | | 15/8 | | | | | | | |
| UK310+HA2310 | 1,9685 | 4,3307 | 1,6142 | 1,2598 | 111/16 | 2,165 | 0,472 | 2,756 | 0,319 | | | |
| UK310+HE2310 | | | | | 1¾ | | | | | | | |
| UK311+H2311 | 55 | 120 | 44 | 34 | 50 | 59 | 12 | 75 | 8,5 | 68020 | 42750 | 2,06 |
| UK311+HS2311 | | | | | 17/8 | | | | | | | |
| UK311+HA2311 | 2,1654 | 4,7244 | 1,7323 | 1,3386 | 115/16 | 2,323 | 0,472 | 2,953 | 0,335 | | | |
| UK311+HE2311 | | | | | 2 | | | | | | | |
| UK312+H2312 | 60 | 130 | 47 | 36 | 55 | 62 | 13 | 80 | 9 | 77805 | 49590 | 2,58 |
| UK312+HS2312 | 2,3622 | 5,1181 | 1,8504 | 1,4173 | 21/8 | 2,441 | 0,512 | 3,150 | 0,354 | | | |
| UK313+H2313 | 65 | 140 | 49 | 39 | 60 | 65 | 14 | 85 | 10,1 | 88065 | 56905 | 3,07 |
| UK313+HA2313 | | | | | 23/16 | | | | | | | |
| UK313+HE2313 | 2,5591 | 5,5118 | 1,9291 | 1,5354 | 2¼ | 2,559 | 0,551 | 3,346 | 0,398 | | | |
| UK313+HS2313 | | | | | 23/8 | | | | | | | |
| UK315+H2315 | 75 | 160 | 55 | 43 | 65 | 73 | 15 | 98 | 11 | 107350 | 73340 | 4,82 |
| UK315+HA2315 | | | | | 27/16 | | | | | | | |
| UK315+HE2315 | 2,9528 | 6,2992 | 2,1654 | 1,6929 | 2½ | 2,874 | 0,591 | 3,858 | 0,433 | | | |
| UK316+H2316 | 80 | 170 | 58 | 45 | 70 | 78 | 17 | 105 | 11,4 | 116850 | 82365 | 5,63 |
| UK316+HA2316 | | | | | 211/16 | | | | | | | |
| UK316+HE2316 | 3,1496 | 6,6929 | 2,2835 | 1,7717 | 2¾ | 3,071 | 0,669 | 4,134 | 0,449 | | | |
| UK317+H2317 | 85 | 180 | 60 | 47 | 75 | 82 | 18 | 110 | 12,0 | 126350 | 91960 | 6,47 |
| UK317+HA2317 | | | | | 215/16 | | | | | | | |
| UK317+HE2317 | 3,3465 | 7,0866 | 2,3622 | 1,8504 | 3 | 3,228 | 0,709 | 4,331 | 0,472 | | | |
| UK318+H2318 | 90 | 190 | 64 | 49 | 80 | 86 | 18 | 120 | 12,3 | 135850 | 101650 | 7,52 |
| UK318+HA2318 | | | | | 33/16 | | | | | | | |
| UK318+HE2318 | 3,5433 | 7,4803 | 2,5197 | 1,9291 | | 3,386 | 0,709 | 4,724 | 0,484 | | | |

Bussole HA; HE; HS con filettatura in pollici - Inch dimension adapter sleeves HA; HE; HS

SER2 Serie normale - Standard duty

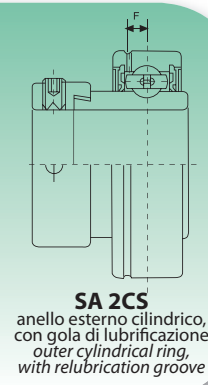
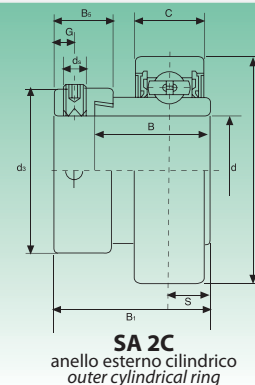
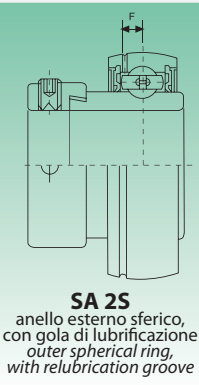
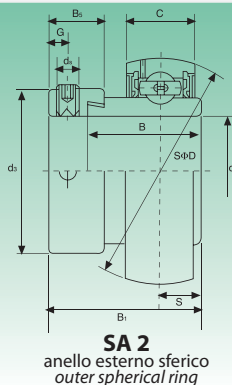


Suffisso UNF: Misure in pollici dei grani di bloccaggio
UNF suffix: inch sizes set screws

| Tipo Type | Dimensioni - Dimensions | | | | | | | | | | | | Coefficienti di carico (N) Load ratings (N) | | Peso Weight kg |
|--------------|-------------------------|--------|--------|--------|-------|----------------|-------|-------|-------|-------|-------|----------------|--|---|----------------------|
| | d | D | B | C | S | S ₁ | T | F | J | P | G | d _s | Dinamico C Dynamic C | Statico C ₀ Static C ₀ | |
| | mm/inch | | | | | | | | | | | | | | |
| SER204 | 20 | 47 | 31 | 15,9 | 10,3 | 20,7 | 1,12 | 3,8 | 2,46 | 52,7 | 4,8 | M6x1 | 9880 | 6200 | 0,21 |
| SER204-12 | ¾ | 1,8504 | 1,2205 | 0,6260 | 0,406 | 0,815 | 0,044 | 0,150 | 0,097 | 2,075 | 0,189 | ¼-28UNF | | | |
| SER205 | 25 | 52 | 34,9 | 19 | 13,1 | 21,8 | 1,12 | 5,2 | 2,46 | 57,9 | 5 | M6x1 | 10780 | 6980 | 0,27 |
| SER205-13 | 13/16 | 2,0472 | 1,3740 | 0,7480 | 0,516 | 0,858 | 0,044 | 0,205 | 0,097 | 2,280 | 0,197 | ¼-28UNF | | | |
| SER205-14 | 7/8 | | | | | | | | | | | | | | |
| SER205-15 | 15/16 | | | | | | | | | | | | | | |
| SER205-16 | 1 | | | | | | | | | | | | | | |
| SER206 | 30 | | | | | | | | | | | | 62 | 38,1 | 22,2 |
| SER206-17 | 11/16 | 2,4409 | 1,5000 | 0,8740 | 0,626 | 0,874 | 0,067 | 0,220 | 0,129 | 2,665 | 0,197 | ¼-28UNF | | | |
| SER206-18 | 11/8 | | | | | | | | | | | | | | |
| SER206-19 | 13/16 | | | | | | | | | | | | | | |
| SER206-20 | 1¼ | | | | | | | | | | | | | | |
| SER207 | 35 | | | | | | | | | | | | 72 | 42,9 | 23,8 |
| SER207-20 | 1¼ | 2,8346 | 1,6890 | 0,9370 | 0,689 | 1,000 | 0,067 | 0,220 | 0,129 | 3,094 | 0,264 | 5/16-24UNF | | | |
| SER207-21 | 15/16 | | | | | | | | | | | | | | |
| SER207-22 | 13/8 | | | | | | | | | | | | | | |
| SER207-23 | 17/16 | | | | | | | | | | | | | | |
| SER208 | 40 | | | | | | | | | | | | 80 | 49,2 | 27,8 |
| SER208-24 | 1½ | 3,1496 | 1,9370 | 1,0945 | 0,748 | 1,189 | 0,067 | 0,252 | 0,129 | 3,409 | 0,315 | 5/16-24UNF | | | |
| SER208-25 | 19/16 | | | | | | | | | | | | | | |
| SER209 | 45 | | | | | | | | | | | | 85 | 49,2 | 27,8 |
| SER209-26 | 15/8 | 3,3465 | 1,9370 | 1,0945 | 0,748 | 1,189 | 0,067 | 0,252 | 0,129 | 3,606 | 0,315 | 5/16-24UNF | | | |
| SER209-27 | 111/16 | | | | | | | | | | | | | | |
| SER209-28 | 1¾ | | | | | | | | | | | | | | |
| SER210 | 50 | | | | | | | | | | | | 90 | 51,6 | 28,6 |
| SER210-29 | 113/16 | 3,5433 | 2,0315 | 1,1260 | 0,748 | 1,283 | 0,097 | 0,295 | 0,129 | 3,799 | 0,394 | 3/8-24UNF | | | |
| SER210-30 | 17/8 | | | | | | | | | | | | | | |
| SER210-31 | 115/16 | | | | | | | | | | | | | | |
| SER210-32 | 2 | | | | | | | | | | | | | | |
| SER211 | 55 | | | | | | | | | | | | 100 | 55,6 | 30,2 |
| SER211-32 | 2 | 3,9370 | 2,1890 | 1,1890 | 0,874 | 1,315 | 0,097 | 0,295 | 0,129 | 4,193 | 0,394 | 3/8-24UNF | | | |
| SER211-33 | 21/16 | | | | | | | | | | | | | | |
| SER211-34 | 21/8 | | | | | | | | | | | | | | |
| SER211-35 | 23/16 | | | | | | | | | | | | | | |
| SER212 | 60 | | | | | | | | | | | | 110 | 65,1 | 31,8 |
| SER212-36 | 2¼ | 4,3307 | 2,5630 | 1,2520 | 1,000 | 1,563 | 0,097 | 0,295 | 0,129 | 4,591 | 0,394 | 3/8-24UNF | | | |
| SER212-37 | 25/16 | | | | | | | | | | | | | | |
| SER212-38 | 23/8 | | | | | | | | | | | | | | |
| SER212-39 | 27/16 | | | | | | | | | | | | | | |

SA2 Serie leggera - Light duty

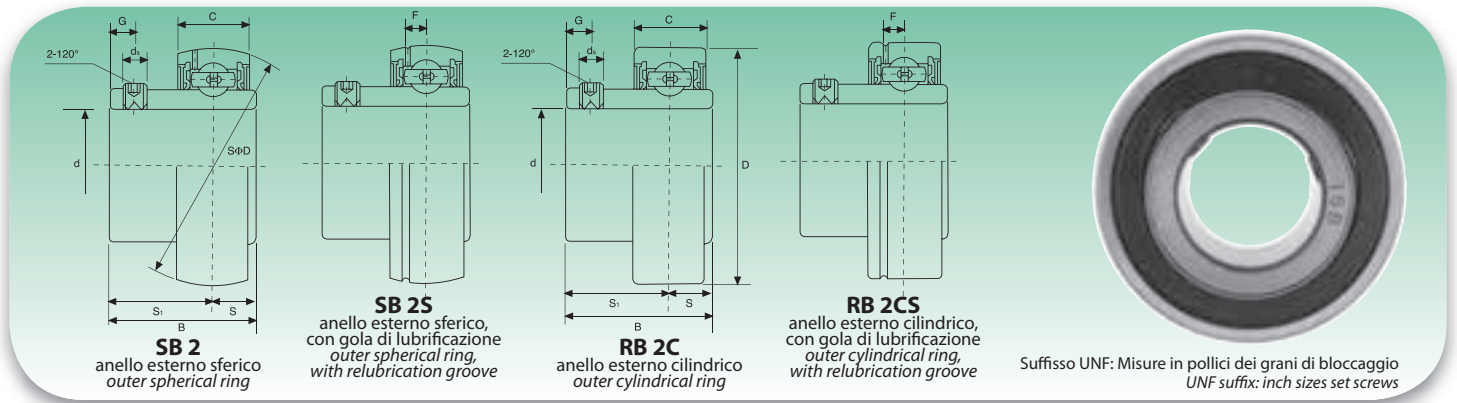

Suffisso UNF: Misure in pollici dei grani di bloccaggio
UNF suffix: inch sizes set screws



| Tipo Type | Dimensioni - Dimensions | | | | | | | | | | | Coefficienti di carico (N) Load ratings (N) | | Peso Weight kg |
|--------------|-------------------------|--------|----------------|--------|--------|-------|----------------|-------|----------------|----------------|-------|--|---|----------------------|
| | d | D | B ₁ | B | C | S | d _s | G | B ₂ | d _s | F | Dinamico C Dynamic C | Statico C ₀ Static C ₀ | |
| | mm/inch | | | | | | | | | | | | | |
| SA201 | 12 | 40 | 28,6 | 19,1 | 12 | 6,5 | M6x1 | 4,8 | 13,5 | 28,6 | 3,7 | 9200 | 4480 | 0,12 |
| SA201-8 | ½ | 1,5748 | 1,126 | 0,7520 | 0,4724 | 0,256 | ¼-28UNF | 0,189 | 0,531 | 1,126 | 0,146 | | | |
| SA202 | 15 | 40 | 28,6 | 19,1 | 12 | 6,5 | M6x1 | 4,8 | 13,5 | 28,6 | 3,7 | 9200 | 4480 | 0,10 |
| SA202-9 | 9/16 | 1,5748 | 1,126 | 0,7520 | 0,4724 | 0,256 | ¼-28UNF | 0,189 | 0,531 | 1,126 | 0,146 | | | |
| SA202-10 | 5/8 | | | | | | | | | | | | | |
| SA203 | 17 | 40 | 28,6 | 19,1 | 12 | 6,5 | M6x1 | 4,8 | 13,5 | 28,6 | 3,7 | 9200 | 4480 | 0,09 |
| SA203-11 | 11/16 | 1,5748 | 1,126 | 0,7520 | 0,4724 | 0,256 | ¼-28UNF | 0,189 | 0,531 | 1,126 | 0,146 | | | |
| SA204 | 20 | 47 | 31 | 21,5 | 14 | 7,5 | M6x1 | 4,8 | 13,5 | 33,3 | 3,7 | 12200 | 6300 | 0,16 |
| SA204-12 | ¾ | 1,8504 | 1,220 | 0,8465 | 0,5512 | 0,295 | ¼-28UNF | 0,189 | 0,531 | 1,311 | 0,146 | | | |
| SA205 | 25 | 52 | 31 | 21,5 | 15 | 7,5 | M6x1 | 4,8 | 13,5 | 38,1 | 3,9 | 13300 | 7460 | 0,20 |
| SA205-13 | 13/16 | 2,0472 | 1,220 | 0,8465 | 0,5906 | 0,295 | ¼-28UNF | 0,189 | 0,531 | 1,500 | 0,154 | | | |
| SA205-14 | 7/8 | | | | | | | | | | | | | |
| SA205-15 | 15/16 | | | | | | | | | | | | | |
| SA205-16 | 1 | | | | | | | | | | | | | |
| SA206 | 30 | | | | | | | | | | | | | |
| SA206-17 | 11/16 | 2,4409 | 1,406 | 0,9370 | 0,6299 | 0,354 | 5/16-28UNF | 0,236 | 0,626 | 1,752 | 0,197 | | | |
| SA206-18 | 11/8 | | | | | | | | | | | | | |
| SA206-19 | 13/16 | | | | | | | | | | | | | |
| SA206-20 | 1¼ | | | | | | | | | | | | | |
| SA207 | 35 | 72 | 38,9 | 25,4 | 17 | 9,5 | M8x1 | 6,8 | 17,5 | 55,6 | 5,7 | 24500 | 14600 | 0,42 |
| SA207-20 | 1¼ | 2,8346 | 1,531 | 1,000 | 0,6693 | 0,374 | 5/16-24UNF | 0,268 | 0,689 | 2,189 | 0,224 | | | |
| SA207-21 | 15/16 | | | | | | | | | | | | | |
| SA207-22 | 13/8 | | | | | | | | | | | | | |
| SA207-23 | 17/16 | | | | | | | | | | | | | |
| SA208 | 40 | 80 | 43,7 | 30,2 | 18 | 11 | M8x1 | 6,8 | 18,3 | 60,3 | 6,2 | 27700 | 17000 | 0,60 |
| SA208-24 | 1½ | 3,1496 | 1,721 | 1,1890 | 0,7087 | 0,433 | 5/16-24UNF | 0,268 | 0,720 | 2,374 | 0,244 | | | |
| SA208-25 | 19/16 | | | | | | | | | | | | | |
| SA209 | 45 | 85 | 43,7 | 30,2 | 19 | 11 | M8x1 | 6,8 | 18,3 | 63,5 | 6,4 | 31100 | 24450 | 0,76 |
| SA209-26 | 15/8 | 3,3465 | 1,721 | 1,1890 | 0,7480 | 0,433 | 5/16-24UNF | 0,268 | 0,720 | 2,500 | 0,252 | | | |
| SA209-27 | 111/16 | | | | | | | | | | | | | |
| SA209-28 | 1¾ | | | | | | | | | | | | | |
| SA210 | 50 | 90 | 43,7 | 30,2 | 20 | 11 | M8x1 | 6,8 | 18,3 | 69,9 | 6,5 | 35300 | 28160 | 0,91 |
| SA210-29 | 113/16 | 3,5433 | 1,721 | 1,1890 | 0,7874 | 0,433 | 5/16-24UNF | 0,268 | 0,720 | 2,752 | 0,256 | | | |
| SA210-30 | 17/8 | | | | | | | | | | | | | |
| SA210-31 | 115/16 | | | | | | | | | | | | | |
| SA210-32 | 2 | | | | | | | | | | | | | |
| SA211 | 55 | 100 | 48,4 | 32,5 | 21 | 12 | M8x1 | 8 | 20,7 | 76,2 | 7,0 | 38100 | 30000 | 1,26 |
| SA211-32 | 2 | 3,9370 | 1,906 | 1,2795 | 0,8268 | 0,472 | 5/16-24UNF | 0,315 | 0,815 | 3,000 | 0,276 | | | |
| SA211-33 | 21/16 | | | | | | | | | | | | | |
| SA211-34 | 21/8 | | | | | | | | | | | | | |
| SA211-35 | 23/16 | | | | | | | | | | | | | |
| SA212 | 60 | 110 | 53,1 | 37,2 | 22 | 13,5 | M10x1 | 8 | 22,3 | 84,2 | 7,6 | 41500 | 32730 | 1,70 |
| SA212-36 | 2¼ | 4,3307 | 2,091 | 1,4646 | 0,8661 | 0,532 | 3/8-24UNF | 0,315 | 0,878 | 3,315 | 0,299 | | | |
| SA212-37 | 25/16 | | | | | | | | | | | | | |
| SA212-38 | 23/8 | | | | | | | | | | | | | |
| SA212-39 | 27/16 | | | | | | | | | | | | | |

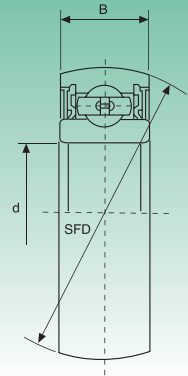
Disponibile in acciaio inox AISI 440C o 420C - Available stainless steel AISI 440C or 420C

SB-RB2 Serie leggera - Light duty



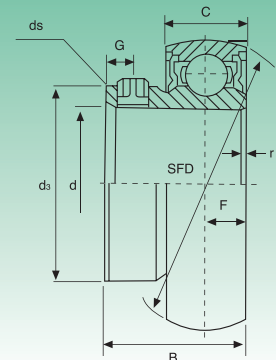
| Tipo Type | Dimensioni - Dimensions | | | | | | | | | Coefficienti di carico (N) Load ratings (N) | | Peso Weight |
|-----------------|-------------------------|--------|--------|--------|-------|----------------|------------|-------|-------|--|---|----------------|
| | d | D | B | C | S | S ₁ | ds | G | F | Dinamico C Dynamic C | Statico C ₀ Static C ₀ | |
| | mm/inch | | | | | | | | | | | kg |
| SB-RB201 | 12 | 40 | 22 | 12 | 6 | 16 | M5x0,8 | 4,5 | 3,7 | 9200 | 4480 | 0,10 |
| SB-RB201-8 | ½ | 1,5748 | 0,8661 | 0,4724 | 0,236 | 0,630 | 10-32UNF | 0,177 | 0,146 | | | |
| SB-RB202 | 15 | 40 | 22 | 12 | 6 | 16 | M5x0,8 | 4,5 | 3,7 | 9200 | 4480 | 0,10 |
| SB-RB202-9 | 9/16 | 1,5748 | 0,8661 | 0,4724 | 0,236 | 0,630 | 10-32UNF | 0,177 | 0,146 | | | |
| SB-RB202-10 | 5/8 | | | | | | | | | | | |
| SB-RB203 | 17 | 40 | 22 | 12 | 6 | 16 | M5x0,8 | 4,5 | 3,7 | 9200 | 4480 | 0,09 |
| SB-RB203-11 | 11/16 | 1,5748 | 0,7520 | 0,4724 | 0,256 | 1/4-28UNF | 0,189 | 0,531 | 0,146 | | | |
| SB-RB204 | 20 | 47 | 25 | 14 | 7 | 18 | M6x1 | 4,5 | 3,7 | 12200 | 6300 | 0,13 |
| SB-RB204-12 | ¾ | 1,8504 | 0,9843 | 0,5512 | 0,276 | 0,709 | ¼-28UNF | 0,177 | 0,146 | | | |
| SB-RB205 | 25 | 52 | 27 | 15 | 7,5 | 19,5 | M6x1 | 5,5 | 3,9 | 13300 | 7460 | 0,16 |
| SB-RB205-13 | 13/16 | 2,0472 | 1,0630 | 0,5906 | 0,295 | 0,768 | ¼-28UNF | 0,217 | 0,154 | | | |
| SB-RB205-14 | 7/8 | | | | | | | | | | | |
| SB-RB205-15 | 15/16 | | | | | | | | | | | |
| SB-RB205-16 | 1 | | | | | | | | | | | |
| SB-RB206 | 30 | 62 | 30 | 16 | 8 | 22 | M6x1 | 6 | 5,0 | 18500 | 10800 | 0,25 |
| SB-RB206-17 | 11/16 | 2,4409 | 1,1811 | 0,6299 | 0,315 | 0,866 | ¼-28UNF | 0,236 | 0,197 | | | |
| SB-RB206-18 | 11/8 | | | | | | | | | | | |
| SB-RB206-19 | 13/16 | | | | | | | | | | | |
| SB-RB206-20 | 1¼ | | | | | | | | | | | |
| SB-RB207 | 35 | 72 | 32 | 17 | 8,5 | 23,5 | M8x1 | 6,5 | 5,7 | 24500 | 14600 | 0,38 |
| SB-RB207-20 | 1¼ | 2,8346 | 1,2598 | 0,6693 | 0,335 | 0,925 | 5/16-24UNF | 0,256 | 0,224 | | | |
| SB-RB207-21 | 15/16 | | | | | | | | | | | |
| SB-RB207-22 | 13/8 | | | | | | | | | | | |
| SB-RB207-23 | 17/16 | | | | | | | | | | | |
| SB-RB208 | 40 | 80 | 34 | 18 | 9 | 25 | M8x1 | 7 | 6,2 | 27700 | 17000 | 0,60 |
| SB-RB208-24 | 1½ | 3,1496 | 1,3386 | 0,7087 | 0,354 | 0,984 | 5/16-24UNF | 0,276 | 0,244 | | | |
| SB-RB208-25 | 19/16 | | | | | | | | | | | |
| SB-RB209 | 45 | 85 | 41,2 | 19 | 10,2 | 31 | M8x1 | 8,2 | 6,4 | 31100 | 24450 | 0,8 |
| SB-RB209-26 | 15/8 | 3,3465 | 1,6220 | 0,7480 | 0,402 | 1,220 | 5/16-24UNF | 0,323 | 0,252 | | | |
| SB-RB209-27 | 111/16 | | | | | | | | | | | |
| SB-RB209-28 | 1¾ | | | | | | | | | | | |
| SB-RB210 | 50 | 90 | 43,5 | 20 | 10,9 | 32,6 | M10x1 | 9,2 | 6,5 | 35300 | 28160 | 0,8 |
| SB-RB210-29 | 113/16 | 3,5433 | 1,7126 | 0,7874 | 0,429 | 1,283 | 3/8-24UNF | 0,362 | 0,256 | | | |
| SB-RB210-30 | 17/8 | | | | | | | | | | | |
| SB-RB210-31 | 115/16 | | | | | | | | | | | |
| SB-RB210-32 | 2 | | | | | | | | | | | |
| SB-RB211 | 55 | 100 | 45,3 | 21 | 11,8 | 33,5 | M10x1 | 9,8 | 7,0 | 38100 | 30000 | 1,1 |
| SB-RB211-32 | 2 | 3,9370 | 1,7835 | 0,8268 | 0,465 | 1,319 | 3/8-24UNF | 0,386 | 0,276 | | | |
| SB-RB211-33 | 21/16 | | | | | | | | | | | |
| SB-RB211-34 | 21/8 | | | | | | | | | | | |
| SB-RB211-35 | 23/16 | | | | | | | | | | | |
| SB-RB212 | 60 | 110 | 53,7 | 22 | 14,9 | 38,8 | M10x1 | 9,8 | 7,6 | 41500 | 32730 | 1,3 |
| SB-RB212-36 | 2¼ | 4,3307 | 2,1142 | 0,8661 | 0,587 | 1,528 | 3/8-24UNF | 0,386 | 0,299 | | | |
| SB-RB212-37 | 25/16 | | | | | | | | | | | |
| SB-RB212-38 | 23/8 | | | | | | | | | | | |
| SB-RB212-39 | 27/16 | | | | | | | | | | | |

Disponibile in acciaio inox AISI 440C o 420C - Available stainless steel AISI 440C or 420C



| Tipo Type | Dimensioni - Dimensions | | | Coefficienti di carico (N) Load ratings (N) | | Peso Weight kg |
|--------------|-------------------------|--------|--------|--|---|----------------------|
| | d | D | B | Dinamico C Dynamic C | Statico C ₀ Static C ₀ | |
| | mm/inch | | | | | |
| CB200 | 10 | 30 | 9 | 3750 | 2150 | 0,030 |
| CB200 | 0,3937 | 1,1811 | 0,3543 | | | |
| CB201 | 12 | 32 | 10 | 4500 | 2500 | 0,035 |
| CB201 | 0,4724 | 1,2598 | 0,3937 | | | |
| CB202 | 15 | 35 | 11 | 5650 | 3300 | 0,040 |
| CB202 | 0,5906 | 1,3780 | 0,4331 | | | |
| CB203 | 17 | 40 | 12 | 7000 | 4480 | 0,06 |
| CB203 | 0,6693 | 1,5748 | 0,4724 | | | |
| CB204 | 20 | 47 | 14 | 9880 | 6200 | 0,10 |
| CB204 | 0,7874 | 1,8504 | 0,5512 | | | |
| CB205 | 25 | 52 | 15 | 10780 | 6980 | 0,13 |
| CB205 | 0,9843 | 2,0472 | 0,5906 | | | |
| CB206 | 30 | 62 | 16 | 14970 | 10040 | 0,20 |
| CB206 | 1,1811 | 2,4409 | 0,6299 | | | |
| CB207 | 35 | 72 | 17 | 19750 | 13670 | 0,29 |
| CB207 | 1,3780 | 2,8346 | 0,6693 | | | |
| CB208 | 40 | 80 | 18 | 22710 | 15940 | 0,37 |
| CB208 | 1,5748 | 3,1496 | 0,7087 | | | |
| CB209 | 45 | 85 | 19 | 24360 | 17710 | 0,46 |
| CB209 | 1,7717 | 3,3465 | 0,7480 | | | |
| CB210 | 50 | 90 | 20 | 26980 | 19840 | 0,57 |
| CB210 | 1,9685 | 3,5433 | 0,7874 | | | |
| CB211 | 55 | 100 | 21 | 28500 | 21850 | 0,62 |
| CB211 | 2,1654 | 3,9370 | 0,8268 | | | |
| CB212 | 60 | 110 | 22 | 31700 | 24500 | 0,80 |
| CB212 | 2,3622 | 4,3307 | 0,8661 | | | |

Equivalente serie 62.. bombato ISB® - Equivalent 62.. spherical ISB®



| Tipo Type | Dimensioni - Dimensions | | | | | | | | | Coefficienti di carico (N) Load ratings (N) | | Peso Weight kg |
|--------------|-------------------------|--------|--------|--------|----------------|--------|--------|--------|----|--|---|----------------------|
| | d | D | B | C | d _s | F | G | r | ds | Dinamico C Dynamic C | Statico C ₀ Static C ₀ | |
| | mm/inch | | | | | | | | | | | |
| U000 | 10 | 26 | 14 | 8 | 14,75 | 4 | 3 | 0,5 | M3 | 4700 | 2000 | 0,023 |
| U000 | 0,3937 | 1,024 | 0,5512 | 0,3150 | 0,5807 | 1,1575 | 0,1181 | 0,0197 | | | | |
| U001 | 12 | 28 | 14,5 | 8 | 17,35 | 4 | 3 | 0,5 | M3 | 5200 | 2450 | 0,027 |
| U001 | 0,4724 | 1,1024 | 0,5709 | 0,3150 | 0,6831 | 1,1575 | 0,1181 | 0,0197 | | | | |
| U002 | 15 | 32 | 16,5 | 9 | 20,02 | 4,5 | 3,5 | 0,5 | M4 | 5700 | 2900 | 0,045 |
| U002 | 0,5906 | 1,2598 | 0,6496 | 0,3543 | 0,7882 | 0,1772 | 0,1378 | 0,0197 | | | | |
| U003 | 17 | 35 | 17,5 | 10 | 23,10 | 5 | 3,5 | 0,5 | M4 | 6100 | 3350 | 0,050 |
| U003 | 0,6693 | 1,3780 | 0,6890 | 0,3937 | 0,9094 | 0,1969 | 0,1378 | 0,0197 | | | | |
| U004 | 20 | 42 | 21 | 12 | 27,00 | 6 | 4 | 1 | M5 | 9550 | 5150 | 0,086 |
| U004 | 0,7874 | 1,6535 | 0,8268 | 0,4724 | 1,0630 | 0,2362 | 1,1575 | 0,0394 | | | | |
| U005 | 25 | 47 | 22,5 | 12 | 31,70 | 6 | 4,5 | 1 | M5 | 10300 | 5950 | 0,100 |
| U005 | 0,9843 | 1,8504 | 0,8858 | 0,4724 | 1,2480 | 0,2362 | 0,1772 | 0,0394 | | | | |
| U006 | 30 | 55 | 24,5 | 13 | 38,00 | 6,5 | 5 | 1,5 | M5 | 13500 | 8450 | 0,145 |
| U006 | 1,1811 | 2,1654 | 0,9646 | 0,5118 | 1,4961 | 0,2559 | 0,1969 | 0,0591 | | | | |

Disponibile su richiesta in acciaio inox: AISI 440C o 420C - Available under request stainless steel: AISI 440C or 420C



| Tipo Type | Dimensioni - Dimensions | | | | | | | Coefficienti di carico Load ratings | | Peso Weight |
|---------------|-------------------------|-----|----|------|------|------|-----------|--|-------------------------------------|----------------|
| | d | Dsp | C | B | S | B1 | d3 max | Dinamico Cr (kN) Dynamic Cr (kN) | Statico Cor (kN) Static Cor (kN) | |
| | mm | | | | | | | | | kg |
| GRAE 20 NPP-B | 20 | 47 | 14 | 21,4 | 7,5 | 31 | 33 | 12,8 | 6,6 | 0,16 |
| GRAE 25 NPP-B | 25 | 52 | 15 | 21,4 | 7,5 | 31 | 37,5 | 14 | 7,8 | 0,19 |
| GRAE 30 NPP-B | 30 | 62 | 18 | 23,8 | 9 | 35,8 | 44 | 19,5 | 11,3 | 0,31 |
| GRAE 35 NPP-B | 35 | 72 | 19 | 25,4 | 9,5 | 39 | 51 | 25,5 | 15,3 | 0,48 |
| GRAE 40 NPP-B | 40 | 80 | 21 | 30,2 | 11 | 43,8 | 58 | 32,5 | 19,8 | 0,62 |
| GRAE 45 NPP-B | 45 | 85 | 22 | 30,2 | 11 | 43,8 | 63 | 32,5 | 20,4 | 0,69 |
| GRAE 50 NPP-B | 50 | 90 | 22 | 30,2 | 11 | 43,8 | 69 | 35 | 23,2 | 0,77 |
| GRAE 55 NPP-B | 55 | 100 | 25 | 32,5 | 12 | 48,4 | 76 | 43,5 | 29 | 0,81 |
| GRAE 60 NPP-B | 60 | 110 | 24 | 37,1 | 13,5 | 53,1 | 84 | 56 | 36 | 1,4 |