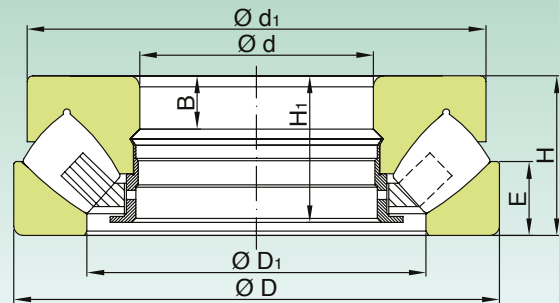
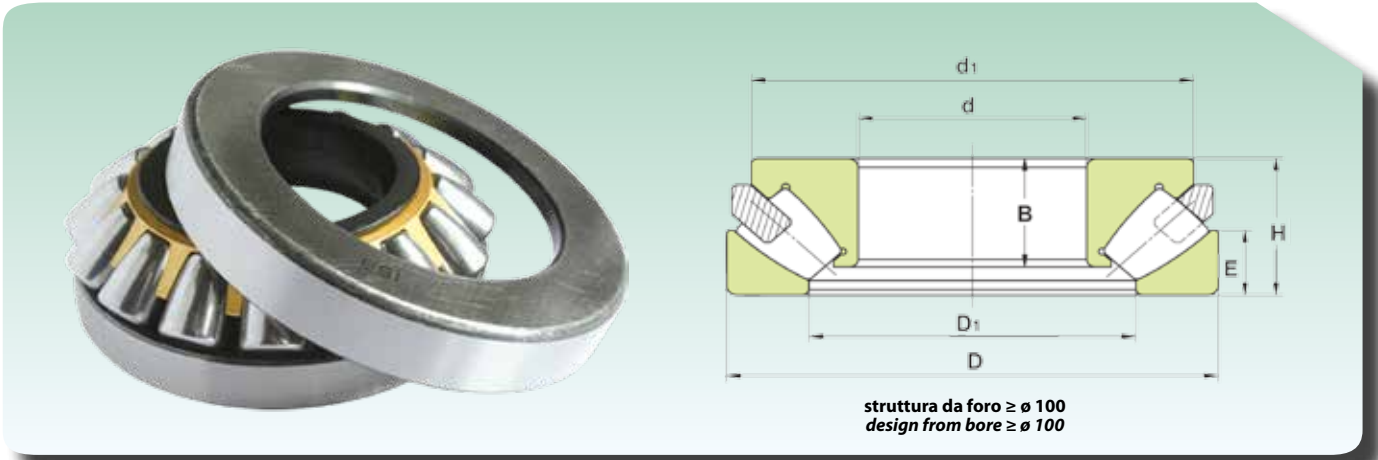


**CUSCINETTI ASSIALI ORIENTABILI A RULLI  
SELF-ALIGNING THRUST ROLLER BEARINGS**


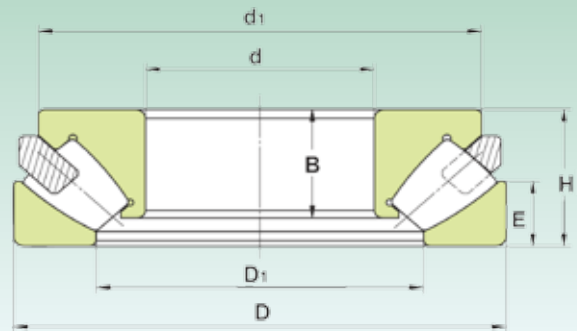
struttura fino a foro < ø 100  
design up to bore < ø 100

Dimensioni (mm) Dimension (mm)								Coefficiente di carico (KN) Load rating (KN)		Velocità limite (giri/min) Speed limit (Rpm)		Peso (Kg) Weight (Kg)	Sigla Designation
d (mm)	D (mm)	H (mm)	D1 (mm)	B (mm)	H1 (mm)	E (mm)	d1 (mm)	Dinamico Dynamic C	Statico Static C <sub>0</sub>	Lubrificazione Lubrication			
										Grasso Grease	Olio Oil		
<b>60</b>	130	42	88	14.5	39	20	118	280	815	3825	2400	2.6	<b>29412 M</b>
<b>65</b>	140	45	96.5	16	42.1	21	128	330	965	3672	2200	3.3	<b>29413 M</b>
<b>70</b>	150	48	102	17	44.1	23	137	360	1060	3290	2000	4.0	<b>29414 M</b>
<b>75</b>	160	51	109	18	48.4	24	146	415	1250	3060	2000	4.87	<b>29415 M</b>
<b>80</b>	170	54	116	19	49.5	26	155	450	1370	2907	1900	5.8	<b>29416 M</b>
<b>85</b>	180	58	125.2	20	55.3	28	164	510	1560	2754	1800	6.90	<b>29417 M</b>
<b>90</b>	155	39	117	13	37.1	19	148.50	392	1058	3060	3600	2.85	<b>29318 M</b>
	190	60	130	21	55.2	29	174	570	1760	2601	1700	8.10	<b>29418 M</b>
<b>100</b>	170	42	127.5	34		20.6	158.9	456	1264	2754	3240	3.8	<b>29320 M</b>
	210	67	142	54		31.5	189	960	2450	2295	2700	10.6	<b>29420 M</b>
<b>110</b>	190	48	142	37.5		23	176	598	1695	2448	2880	5.6	<b>29322 M</b>
	230	73	155.5	58		34.4	208	1156	2940	2142	2520	16.5	<b>29422 M</b>
<b>120</b>	210	54	156	42		25.9	193.5	750	2078	2142	2520	7.45	<b>29324 M</b>
	250	78	172	62.4		38	220	1343	3381	1989	2340	17	<b>29424 M</b>
<b>130</b>	225	58	168	44		27.8	206.7	848	2450	1989	2340	9.3	<b>29326 M</b>
	270	85	185	63		41	248	1529	3969	1836	2160	22	<b>29426 M</b>
<b>140</b>	240	60	183	46		28	221	960	2793	1989	2340	10.7	<b>29328 M</b>
	280	85	197.5	64		42	252	1597	4214	1836	2160	24.6	<b>29428 M</b>
<b>150</b>	215	39	176	24		20.5	200.4	400	1568	2142	2520	4.3	<b>29230 M</b>
	250	60	190	47		29	228	980	2793	1836	2160	11.2	<b>29330 M</b>
	300	90	214	70		44	275	1823	4998	1683	1980	38.1	<b>29430 M</b>
<b>160</b>	270	67	205	53		31.7	249.6	1156	3381	1683	1980	14.5	<b>29332 M</b>
	320	95	220.5	73		46.4	290	2038	5488	1530	1800	34.5	<b>29432 M</b>
<b>170</b>	280	67	216	49.6		31.7	260.3	1176	3479	1683	1980	16	<b>29334 M</b>
	340	103	234	80		48.8	310	2313	6419	1454	1710	44	<b>29434 M</b>
<b>180</b>	250	42	208	31.8		21.8	237	485	1999	1989	2340	5.88	<b>29236 M</b>
	300	73	229	56		34.4	275	1401	4214	1530	1800	19.6	<b>29336 M</b>
	360	109	249.5	85		51.8	326	2548	7203	1377	1620	63.1	<b>29436 M</b>
<b>190</b>	320	78	240.5	59.5		38.6	298.3	1597	4655	1454	1710	24.5	<b>29338 M</b>
	380	115	263	89.5		54.2	345	2793	7840	1301	1530	60.8	<b>29438 M</b>
<b>200</b>	280	48	233.5	35.3		24.3	266	643	2597	1683	1980	8.9	<b>29240 M</b>
	340	85	259	64		39.1	314	1823	5390	1301	1530	30.3	<b>29340 M</b>
	400	122	278	95		57.5	363	3136	8820	1224	1440	69	<b>29440 M</b>
<b>220</b>	300	48	253	36.5		24.3	285	676	2940	1683	1980	9.45	<b>29244 M</b>
	360	85	277.5	64		40.7	336	1960	6174	1301	1530	33	<b>29344 M</b>
	420	122	298.5	95		57	383.8	3283	9457	1148	1350	73.9	<b>29444 M</b>

**CUSCINETTI ASSIALI ORIENTABILI A RULLI**  
**SELF-ALIGNING THRUST ROLLER BEARINGS**



Dimensioni (mm) Dimension (mm)							Coefficiente di carico (KN) Load rating (KN)		Velocità limite (giri/min) Speed limit (Rpm)		Peso (Kg) Weight (Kg)	Sigla Designation
d (mm)	D (mm)	H (mm)	D1 (mm)	B (mm)	E (mm)	d1 (mm)	Dinamico Dynamic C	Statico Static C <sub>0</sub>	Lubrificazione Lubrication			
									Grasso Grease	Olio Oil		
<b>240</b>	340	60	281.5	46.4	29.6	324	783	3381	1377	1620	16.8	<b>29248 M</b>
	380	85	298.5	63	41.7	360	1999	6419	1224	1440	36	<b>29348 M</b>
	440	122	318.5	92.5	59.4	399	3332	9996	1148	1350	78	<b>29448 M</b>
<b>260</b>	360	60	302	46.2	29.8	343	801	3577	1301	1530	18	<b>29252 M</b>
	420	95	327.5	70	46	392.3	2499	8134	1071	1260	49.3	<b>29352 M</b>
	480	132	342	99	65	441	3969	12642	995	1170	102	<b>29452 M</b>
<b>280</b>	380	60	322.5	46.2	29.5	364	846	3920	1301	1530	21.9	<b>29256 M</b>
	440	95	346	70	46.3	411	2499	8477	1071	1260	50.3	<b>29356 M</b>
	520	145	373.5	109.5	69	472	4802	14994	918	1080	131	<b>29456 M</b>
<b>300</b>	420	73	350.5	53	35.8	398.9	1049	4704	1071	1260	29.3	<b>29260 M</b>
	480	109	371.5	83	53	448	3038	10388	918	1080	72.5	<b>29360 M</b>
	540	145	395	109.9	68.3	494.4	4224	16268	918	1080	138	<b>29460 M</b>
<b>320</b>	440	73	369.5	54	36	420	1088	4998	1071	1260	31.6	<b>29264 M</b>
	500	109	393	81.5	53	468	3283	10976	918	1080	75.4	<b>29364 M</b>
	580	155	420	116	75	534	4851	18620	842	990	174	<b>29464 M</b>
<b>340</b>	460	73	390	54	36	440	1107	5292	995	1170	33	<b>29268 M</b>
	540	122	428	40.6	117	59.5	2656	10780	842	990	105	<b>29368 M</b>
	620	170	449.5	128	80.1	560	5635	21952	765	900	211	<b>29468 M</b>
<b>360</b>	500	85	423	25	81	44	1431	6664	918	1080	52	<b>29272 M</b>
	560	122	442.5	90	58.1	523.3	2705	11368	842	990	111	<b>29372 M</b>
	640	170	470	126	81	588	5243	20776	727	855	224	<b>29472 M</b>
<b>380</b>	520	85	441	27	81	42	1548	7497	842	990	53	<b>29276 M</b>
	600	132	473	99.5	62.2	565	3273	13720	765	900	135	<b>29376 M</b>
	670	175	494	67	168	87.5	5753	23520	689	810	260	<b>29476 M</b>
<b>400</b>	540	85	460	62.5	42	514	1578	7840	842	990	61	<b>29280 M</b>
	620	132	489	100	64.7	582	3381	14308	727	855	154	<b>29380 M</b>
	710	185	529.5	138	86	652	6429	25970	650	765	298	<b>29480 M</b>
<b>420</b>	580	95	485	71	49.2	552.1	1950	9604	765	900	76	<b>29284 M</b>
	650	140	520	49	135	67.5	3665	15680	689	810	170	<b>29384 M</b>
	730	185	542.5	140	89.9	668	6595	26950	650	765	310	<b>29484 M</b>
<b>440</b>	600	95	508	30	91	46.5	2029	10192	765	900	78	<b>29288 M</b>
	680	145	540	49	140	70.5	4400	18914	650	765	180	<b>29388 M</b>
	780	206	583	150	97	716	7664	31360	574	675	407	<b>29488 M</b>
<b>460</b>	620	95	530	30	91	46	2029	10388	727	855	81	<b>29292 M</b>
	710	150	567	50	144	72.5	4224	18620	612	720	215	<b>29392 M</b>
	800	206	596	77	199	101.5	7830	32830	574	675	425	<b>29492 M</b>
<b>480</b>	650	103	556	33	99	53.5	2303	11564	689	810	98	<b>29296 M</b>
	730	150	582	112	74	684	4283	19208	612	720	212	<b>29396 M</b>
	850	224	625	88	216	108	9359	38220	513	603	550	<b>29496 M</b>

**CUSCINETTI ASSIALI ORIENTABILI A RULLI  
SELF-ALIGNING THRUST ROLLER BEARINGS**

**struttura da foro  $\geq \varnothing 100$   
design from bore  $\geq \varnothing 100$** 

Dimensioni (mm) Dimension (mm)							Coefficiente di carico (KN) Load rating (KN)		Velocità limite (giri/min) Speed limit (Rpm)		Peso (Kg) Weight (Kg)	Sigla Designation
d (mm)	D (mm)	H (mm)	D1 (mm)	B (mm)	E (mm)	d1 (mm)	Dinamico Dynamic C	Statico Static C <sub>0</sub>	Lubrificazione Lubrication			
									Grasso Grease	Olio Oil		
<b>500</b>	670	103	571.5	76	50.5	640.5	2342	12250	689	810	97.5	<b>292/500 M</b>
	750	150	611	50	144	74	4400	19992	612	720	235	<b>293/500 M</b>
	870	224	650	160	107	797	9183	39200	513	603	555	<b>294/500 M</b>
<b>530</b>	710	109	604	80	56	675	3048	14994	650	765	118	<b>292/530 M</b>
	800	160	648	53	154	76	5125	23128	574	675	270	<b>293/530 M</b>
	920	236	686	89	228	116	10290	43120	482	567	650	<b>294/530 M</b>
<b>560</b>	750	115	644	37	111	61	2930	15680	612	720	140	<b>292/560 M</b>
	980	250	727	99	241	122	11760	49980	428	504	810	<b>294/560 M</b>
<b>600</b>	800	122	687	90	58.9	770	3665	18228	536	630	161	<b>292/600 M</b>
	900	180	720	65	174	89	7379	33810	482	567	405	<b>293/600 M</b>
	1030	258	770.5	185	126	954.8	12838	54880	405	477	860	<b>294/600 M</b>
<b>630</b>	850	132	723	50	127	62	4675	23128	513	603	210	<b>292/630 M</b>
	950	190	761	68	183	92	8281	37240	459	540	485	<b>293/630 M</b>
	1090	280	815	107	270	137	14112	60760	383	450	1040	<b>294/630 M</b>
<b>670</b>	900	140	773	45	135	73	4116	22344	482	567	255	<b>292/670 M</b>
	1150	290	872	205	138	1054	15092	66640	344	405	1225	<b>294/670 M</b>
<b>710</b>	1060	212	855	74	205	103	9751	44590	383	450	660	<b>293/710 M</b>
	1220	308	917	117	298	149	17248	74970	329	387	1500	<b>294/710 M</b>
<b>750</b>	1000	150	858	50	144	74	5978	30380	428	504	325	<b>292/750 M</b>
	1120	224	910	76	216	109	9183	44100	367	432	770	<b>293/750 M</b>
	1280	315	964	121	305	153	18326	83300	306	360	1650	<b>294/750 M</b>
<b>800</b>	1060	155	911	52	149	77	6429	33810	405	477	380	<b>292/800 M</b>
	1180	230	965	77	222	111	9751	48020	344	405	865	<b>293/800 M</b>
	1360	335	1034	123	324	165	19796	91140	275	324	2025	<b>294/800 M</b>
<b>850</b>	1120	160	967	47	154	82	6595	35280	383	450	425	<b>292/850 M</b>
	1440	354	1077	142	342	172	23422	105840	260	306	2390	<b>294/850 M</b>
<b>900</b>	1520	372	1137	147	360	186	26166	119560	230	270	2650	<b>294/900 M</b>
<b>950</b>	1250	180	1087	58	174	88	8114	44590	329	387	600	<b>292/950 M</b>
	1600	390	1209	153	377	191	27636	129360	214	252	3065	<b>294/950 M</b>
<b>1000</b>	1670	402	1270	155	389	190	30478	137200	199	234	3380	<b>294/1000 M</b>
<b>1060</b>	1400	206	1211	66	199	100	10290	57330	275	324	860	<b>292/1060 M</b>
	1770	426	1349	192	412	207	32732	152880	184	216	4280	<b>294/1060 M</b>
<b>1180</b>	1520	206	1331	83	199	101	10682	62720	260	306	950	<b>292/1180 M</b>
<b>1250</b>	1800	330	1474	148	319	161	24304	126420	184	216	2770	<b>293/1250 M</b>
<b>1600</b>	2280	408	1885	166	395	195	36064	196000	122	144	5375	<b>293/1600 M</b>